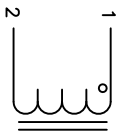


The information contained in this drawing is the sole property of Coil Winding Specialist, Inc. Any reproduction in part or whole without written permission of Coil Winding Specialist, Inc. is prohibited.



SCHEMATIC

7 BUILT TO ROHS COMPLIANCE AND LEAD FREE.

6 MARK PART NUMBER AND REVISION WHERE SHOWN

5 VARNISH PART AND CURE APPLY SILICONE WHERE SHOWN

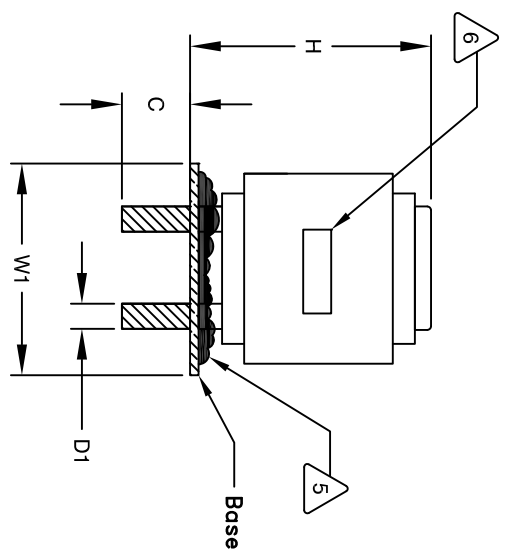
4 WRAP TAPE AROUND CORES WITH CORES AND NOMEX SHEETS ASSEMBLE PRE FORMED FLAT RECTANGULAR HELICAL COIL CONSTRUCTION

3 WEIGHT: 484 GRAM TYP  
 MAX INDUCTOR TEMP RATING: 200°C  
 RECOMMENDED OPERATING TEMP: -40°C TO 85°C  
 HI-POT TEST FOR WINDING TO CORE ISOLATION, 1000VDC @ 2mA, 1 MIN  
 INTERWINDING CAPACITANCE = 14pF TYP @ SRF  
 |Z| = 19.8 KLO-OHMS TYP @ SRF  
 SRF = 3.2 MHz TYP  
 RATED CURRENT: 50 AMPS WITH FORCED AIR FLOW  
 DCR = 11 MILLI-OHMS MAX.  
 DC BIAS: SEE TABLE ON RIGHT  
 L = 190 uH ± 15%, MEASURED AT 10 KHz, 0.25V, ZERO DC BIAS  
 SPECIFICATIONS @ 25°C:

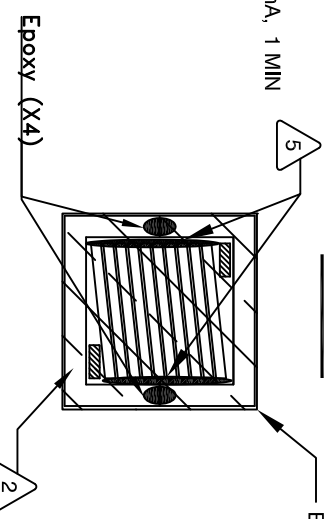
2 VARNISH DOLPH or EQUAL  
 SILICONE DOW CORNING OR EQUAL  
 NOMEX SHEETS FOR SIDES AND CENTER LEG OF CORE.  
 OUTER WRAP: 3M GLASS TAPE OR EQUAL  
 WIRE: UL RECOGNIZED 200°C RATED MAGNET WIRE  
 CORE: COMPACTED POWDERED CORE

1 INSULATION CLASS 200°C REQUIRED  
 MATERIAL: UL RECOGNIZED 94V-0 FOR FLAMMABILITY

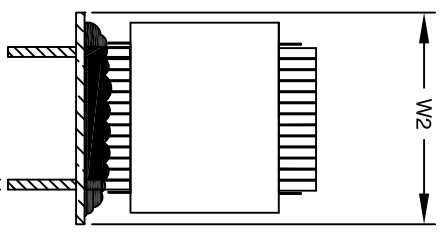
NOTES: UNLESS OTHERWISE SPECIFIED, READ FROM BOTTOM UP.  
 CAGE CODE: 5DME2



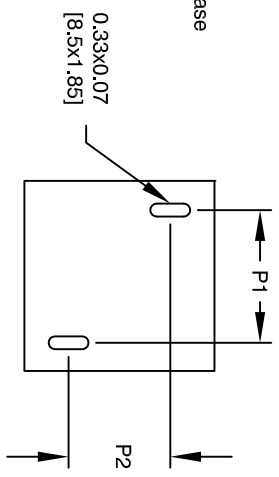
FRONT VIEW



BOTTOM VIEW



SIDE VIEW



MOUNTING HOLES PATTERN (TOP VIEW)

DIMENSIONAL TOLERANCE	
mm	inch
C	18.70 (TYP) 0.74 (TYP)
D2	1.15 (TYP) 0.05 (TYP)
D1	7.50 (TYP) 0.30 (TYP)
W1	58.50 MAX 2.30 MAX
W2	58.50 MAX 2.30 MAX
H	73.00 MAX 2.87 MAX
P1	34.75 TYP 1.37 TYP
P2	28.35 TYP 1.12 TYP

DC BIAS (AMP)	L @10KHz (TYP)
0	194 uH
5	193 uH
10	192 uH
15	190 uH
20	187 uH
25	185 uH
30	182 uH
40	176 uH
50	169 uH

REVISION HISTORY		SIGN & DATE	
REV	ECN	DESCRIPTION	DESCRIPTION
A		PRODUCTION RELEASE	

QTY	CODE IDENT	MFG. P/N	DESCRIPTION	ITEM NO.
			<b>PARTS LIST</b>	
			www.coilw.com	
			sales@coilw.com	
			Coil Winding Specialist, Inc.	
			353 W. GROVE AVE	
			ORANGE, CA 92665	

UNLESS OTHERWISE SPECIFIED	DO NOT SCALE DRAWING
DIMENSIONING AND TOLERANCE PER ANSI Y14.5M	
ALL DIMENSIONS ARE IN INCHES AND [MILLIMETERS].	
TOLERANCE INCHES: .XX±.010 .X±.020 .XXX±.010 .XX±.020 .XXX±.254 .XX±.51	
ANGLE PROJECTION	

DATE	BY	CHK	DATE
01/25/2020	TN		01/25/2020
01/25/2020	JL		01/25/2020
01/25/2020	JL		01/25/2020

SIZE	DWG. NO.	SCALE	SHEET	OF
B	LCEK28B22-191M-50AH	NOT TO SCALE	1	1