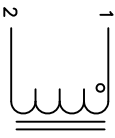
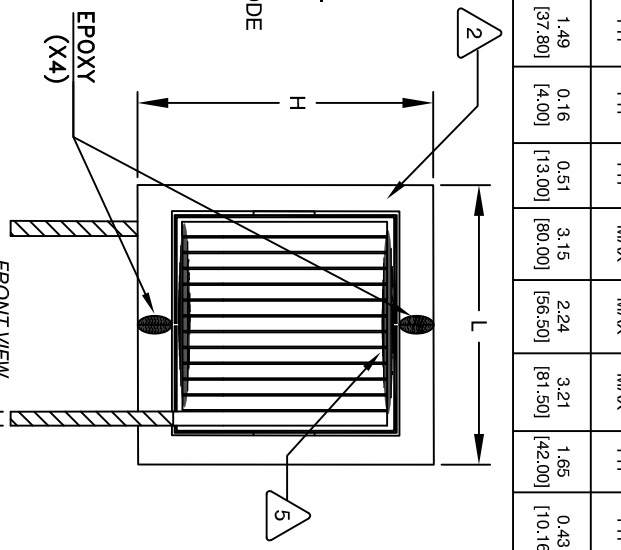


The information contained in this drawing is the sole property of Coil Winding Specialist, Inc. Any reproduction in part or whole without written permission of Coil Winding Specialist, Inc. is prohibited.

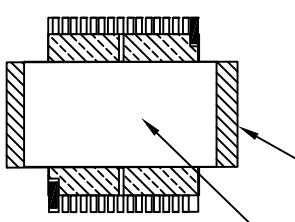
DIMENSIONAL TOLERANCES INCHES (MM)											
C1	C2	D1	D2	L	W	H	G	I	J	K1	K2
TYP	TYP	TYP	TYP	MAX	MAX	MAX	TYP	TYP	TYP	TYP	TYP
1.10	1.49	0.16	0.51	3.15	2.24	3.21	1.65	0.43	1.03	0.82	0.63
[27.95]	[37.80]	[4.00]	[13.00]	[80.00]	[56.50]	[81.50]	[42.00]	[10.16]	[26.16]	[20.80]	[15.93]



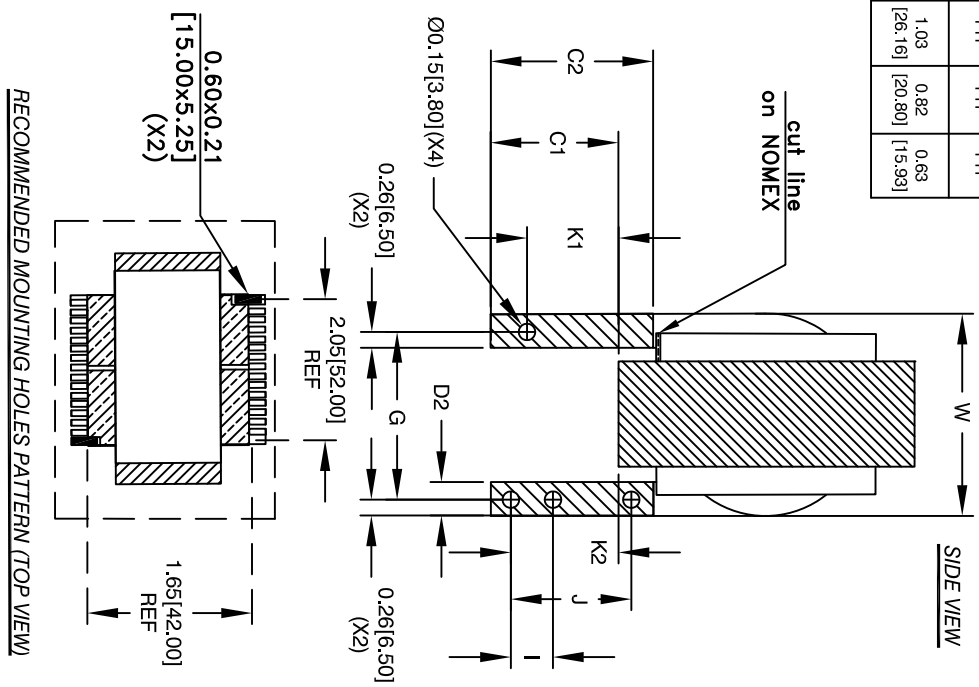
SCHEMATIC



FRONT VIEW



BOTTOM VIEW



SIDE VIEW

RECOMMENDED MOUNTING HOLES PATTERN (TOP VIEW)

DC BIAS (AMP)	L @ 10KHz (REF)
0	12uH
10	12uH
20	12uH
40	12uH
60	12uH
80	12uH
100	12uH
140	11uH
160	11uH
180	11uH
200	10uH
240	10uH
260	10uH
280	9uH
300	9uH
320	8uH
340	8uH
360	8uH
400	7uH
420	7uH
430	6uH
450	6uH

PARTS LIST

QTY	CODE	MFG. P/N	DESCRIPTION	ITEM NO.

UNLESS OTHERWISE SPECIFIED
 DIMENSIONING AND TOLERANCE PER ANSI Y14.5M
 ALL DIMENSIONS ARE IN INCHES AND [DIMETERS].
 TOLERANCE INCHES: $\pm .030$
 TOLERANCE METERS: $\pm .001$
 ANGLE PROJECTION: $\angle = 45^\circ$
 DO NOT SCALE DRAWING

REV	ECN	DESCRIPTION	DATE
A		PRODUCTION RELEASE	01/17/2020

- BUILT TO ROHS COMPLIANCE AND LEAD FREE.
- ON THE OTHER SIDE AS VIEWED FROM TOP.
- MARK PART NUMBER, REVISION AND DATE CODE
- VARNISH PART AND CURE.
- ONLY ON ONE SIDE OF THE PART.
- APPLY SILICONE WHERE SHOWN BUT
- WRAP GLASS TAPE AROUND CORES AND CORES WITH NOMEX PAPER.
- ASSEMBLE PRE FORMED FLAT HELICAL COIL CONSTRUCTION
- WEIGHT: 1090 GRAMS TYP
- MAX INDUCTOR TEMP RATING: 200°C
- RECOMMENDED OPERATING TEMP: -40°C TO 85°C
- HIPOT TEST FOR WINDING TO CORE ISOLATION: 1000VDC @ 2mA, 1 MIN
- INTERWINDING CAPACITANCE = 124pF TYP @ SRF
- |Z| = 4.7 KILO-OHMS TYP @ SRF
- SRF = 17 MHZ TYP
- RATED CURRENT: 450 AMPS WITH FORCED AIR FLOW
- DCR = 0.6 MILLI-OHMS MAX.
- INDUCTOR DC BIAS: SEE TABLE ON THE RIGHT
- L = 12uH TYP, MEASURED AT 10 KHZ, 0.25V, ZERO DC BIAS SPECIFICATIONS @ 25°C:

VARNISH DOLPH or EQUAL
 SILICONE DOW CORNING OR EQUAL
 NOMEX SHEETS FOR SIDES AND CENTER LEG OF CORES
 OUTER WRAP: 3M GLASS TAPE OR EQUAL
 WIRE: UL RECOGNIZED 200°C RATED MAGNET WIRE
 CORE: COMPACTED POWDERED CORE

INSULATION CLASS K (200°C) REQUIRED
 MATERIAL: UL RECOGNIZED 94V-0 FOR FLAMMABILITY

NOTES: UNLESS OTHERWISE SPECIFIED, READ FROM BOTTOM UP.
 CAGE CODE: 5DME2

EP FORM0005 REV 3 10/01

REVISION HISTORY

BY	DATE	CHK	DATE
TN	01/17/2020	JL	01/17/2020

DC BIAS TABLE

DC BIAS (AMP)	L @ 10KHz (REF)
0	12uH
10	12uH
20	12uH
40	12uH
60	12uH
80	12uH
100	12uH
140	11uH
160	11uH
180	11uH
200	10uH
240	10uH
260	10uH
280	9uH
300	9uH
320	8uH
340	8uH
360	8uH
400	7uH
420	7uH
430	6uH
450	6uH