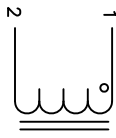


The information contained in this drawing is the sole property of Coil Winding Specialist, Inc. Any reproduction in part or whole without written permission of Coil Winding Specialist, Inc. is prohibited.



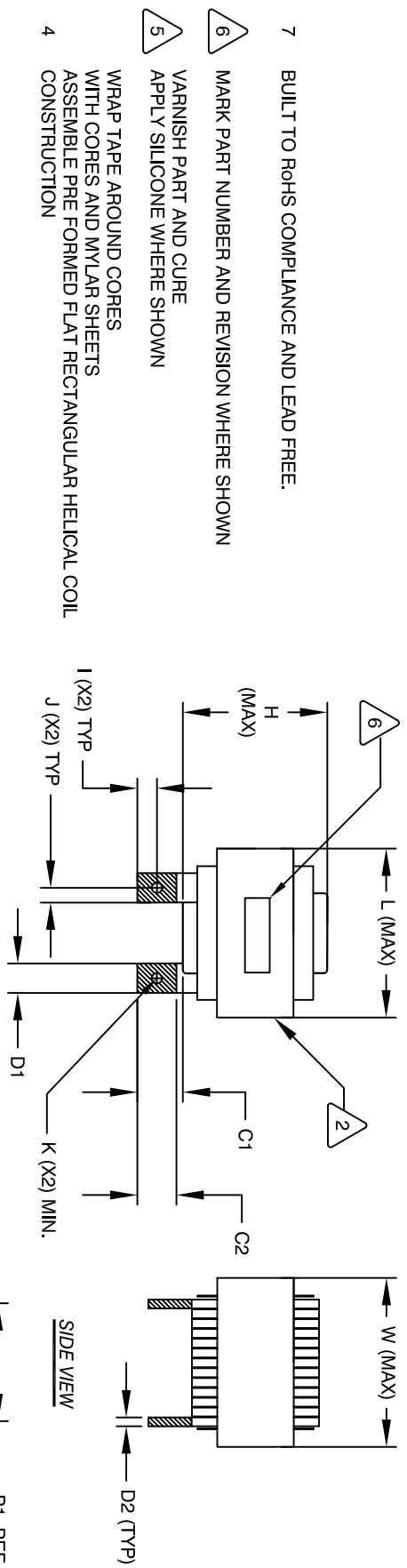
SCHEMATIC

DIMENSIONAL TOLERANCES INCHES (MM)											
C1	C2	D1	D2	L	W	H	I	J	K	P1	P2
REF	REF	REF	REF	MAX	MAX	MAX	(X2) TYP	(X2) TYP	(X2) MIN	REF	REF
0.67 [17.00]	0.55 [14.00]	0.51 [13.00]	0.16 [4.00]	3.25 [82.50]	3.15 [80.00]	3.15 [80.00]	0.26 [6.50]	0.26 [6.50]	0.27 [6.76]	1.98 [50.30]	1.59 [40.39]

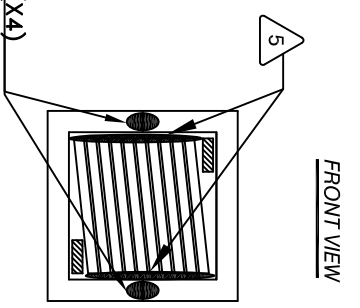
REVISION HISTORY			
REV	ECN	DESCRIPTION	DATE
A		PRODUCTION RELEASE	03/09/2020
A1		DEFINED "TYP" IN DIMENSIONAL TOLERANCES	04/16/2020

DC BIAS TABLE

DC BIAS (AMP)	L @ 10KHz (REF)
0	30.2uH
10	29.6uH
20	29.0uH
40	27.7uH
60	26.2uH
80	24.4uH
100	22.7uH
140	18.6uH
160	16.7uH
180	15.7uH
200	14.5uH
240	11.6uH
260	10.8uH
280	10.3uH
300	9.5uH
320	8.5uH
340	7.9uH
360	7.5uH
380	6.7uH
400	6.0uH

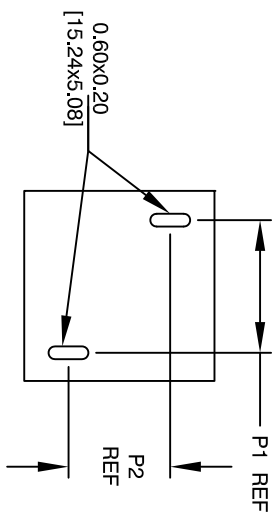


- 1 BUILT TO ROHS COMPLIANCE AND LEAD FREE.
- 2 MARK PART NUMBER AND REVISION WHERE SHOWN
- 3 VARNISH PART AND CURE
APPLY SILICONE WHERE SHOWN
- 4 WRAP TAPE AROUND CORES
WITH CORES AND MYLAR SHEETS
ASSEMBLE PRE FORMED FLAT RECTANGULAR HELICAL COIL
CONSTRUCTION
- 5 WEIGHT: 1906 GRAMS TYP
MAX INDUCTOR TEMP RATING: 200°C
RECOMMENDED OPERATING TEMP: -40°C TO 85°C
HIPOT TEST FOR WINDING TO CORE ISOLATION: 1000VDC @ 2mA, 1 MIN
INTERWINDING CAPACITANCE = 8.23 pF TYP @ SRF
|Z| = 8.47 KILLO-OHMS TYP @ SRF
SRF = 8.65 MHZ TYP
RATED CURRENT: 400 AMPS WITH FORCED AIR FLOW
DCR = 0.8 MILLI-OHMS MAX.
DC BIAS: SEE TABLE ON THE RIGHT
L = 30uH ± 15%, MEASURED AT 10 KHZ, 0.25V, ZERO DC BIAS
SPECIFICATIONS @ 25°C:
- 6 VARNISH DOLPH or EQUAL
SILICONE DOW CORNING OR EQUAL
MYLAR SHEETS FOR SIDES AND CENTER LEG OF CORES
OUTER WRAP: 3M GLASS TAPE OR EQUAL
WIRE: UL RECOGNIZED 200°C RATED MAGNET WIRE
CORE: COMPACTED POWDERED CORE



BOTTOM VIEW

RECOMMENDED MOUNTING HOLES PATTERN



- 1 INSULATION CLASS 200°C REQUIRED
MATERIAL: UL RECOGNIZED 94V-0 FOR FLAMMABILITY

ANY TOLERANCE. THIS DIM. CAN VARY A LITTLE FROM PART TO PART.
"TYP" IN DIM. TABL REFERS TO A NON-CRITICAL TYPICAL (AVERAGE) DIM. WITHOUT
NOTES: UNLESS OTHERWISE SPECIFIED, READ FROM BOTTOM UP.
CAGE CODE: 5DME2

QTY	CODE IDENT	MFG. P/N	DESCRIPTION	ITEM NO.
			PARTS LIST	
			High Current Inductor, Rectangular Helical Coil 30uH, 400 Amps, Horizontal	

UNLESS OTHERWISE SPECIFIED	DRAWN	DATE	TITLE
DIMENSIONING AND TOLERANCE PER ANSI Y14.5M ALL DIMENSIONS ARE IN INCHES AND [DIMENSIONS]. TOLERANCE INCHES: $\phi = \pm 0.30'$ $.XXX = \pm 0.10$, $.XX = \pm 0.20$ TOLERANCE METRCS: $\phi = \pm 0.76'$ $.XXX = \pm .254$, $.XX = \pm .51$ ANGLE PROJECTION ϕ	TN	03/09/2020	High Current Inductor, Rectangular Helical Coil 30uH, 400 Amps, Horizontal
DO NOT SCALE DRAWING	JL	03/09/2020	LCES38A42 - 300M - 400AH