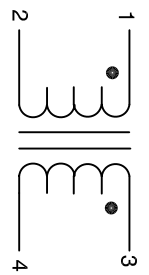
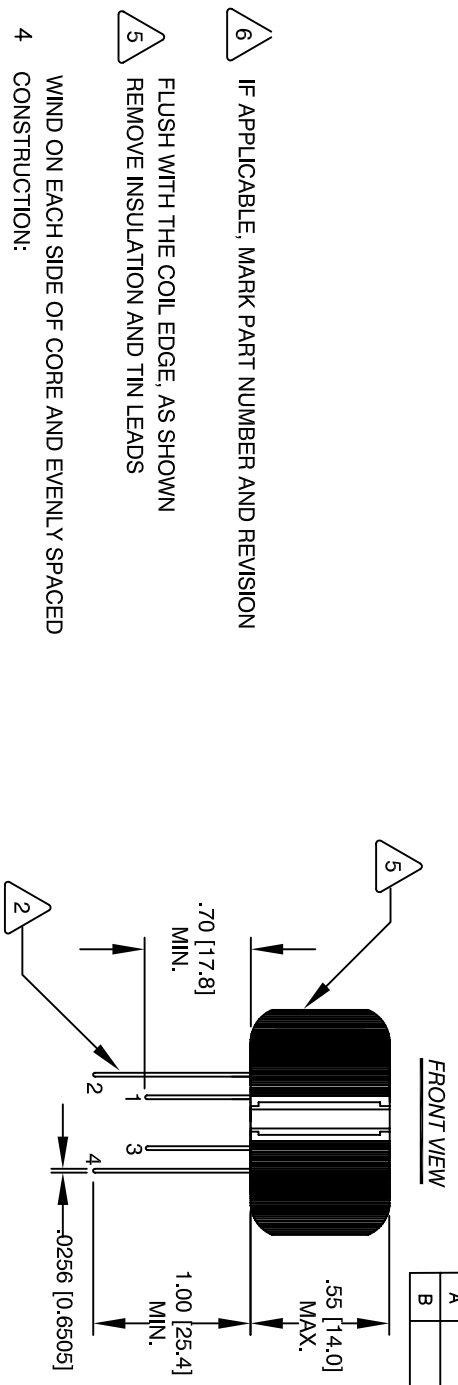
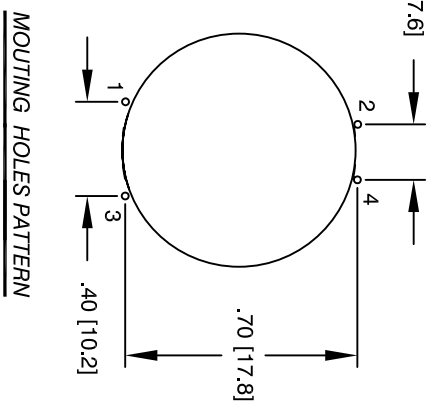
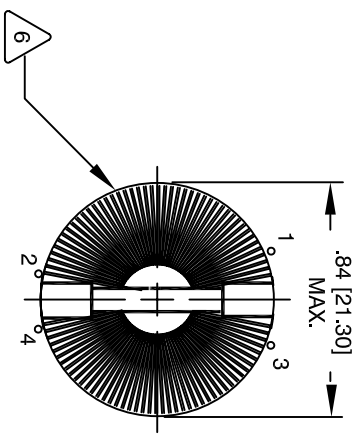


The information contained in this drawing is the sole property of CMS Coil Winding Specialist. Any reproduction in part or whole without written permission of CMS Coil Winding Specialist is prohibited.

REVISION HISTORY		SIGN & DATE	
REV	ECN	DESCRIPTION	DATE
A		PRODUCTION RELEASE	9/02/04
B		MECHANICAL CHANGE	9/20/11



- 6 IF APPLICABLE, MARK PART NUMBER AND REVISION
- 5 FLUSH WITH THE COIL EDGE, AS SHOWN  
REMOVE INSULATION AND TIN LEADS
- 4 WIND ON EACH SIDE OF CORE AND EVENLY SPACED  
CONSTRUCTION:  
TEMP RANGE = -25 °C TO 120 °C  
MAX TEMP RISE = 35.1 °C  
TEST VOLTAGE = 2000 VAC, 1 MIN  
RATED VOLTAGE = 250 VAC OR VDC  
RATED CURRENT = 2 AMPS  
DCR = 0.172 OHMS MAX  
L = 5.0 mH NOMINAL, 50 Hz - 400 KHz, 0.250 Vrms, 0 ADC  
INSULATION RESISTANCE = 100 MEGA-OHMS MIN. @ 500 VDC  
SPECIFICATIONS AT 25 °C
- 3 WIRE: UL RECOGNIZED 130°C RATED MAGNET WIRE  
CWS BYTEMARK OR OTHER APPROVED PART  
CORE: FERRITE TOROID.
- 2 BOBBIN RATING CLASS B (130°C) REQUIRED  
MATERIAL: UL RECOGNIZED 94V-0 FOR FLAMMABILITY



QTY	CODE IDENT	MFG. P/N	DESCRIPTION	ITEM NO.
			<b>PARTS LIST</b>	
UNLESS OTHERWISE SPECIFIED				
DIMENSIONING AND TOLERANCE PER ANSI Y14.5M AND [MILLIMETERS]				
TOLERANCE INCHES: $\phi$ = +0.030				
TOLERANCE METRCS: $\phi$ = +0.30				
ANGLE PROJECTION $\phi$				
DO NOT SCALE DRAWING				
AUTOCAD SOLIDWORKS		X		
DRAWN	TDK	DATE	9/02/04	
CHECKED	JLJU	DATE	9/02/04	
ENGR.	KSUM	DATE	9/02/04	
APPR.	JLJU	DATE	9/02/04	
SIZE Dwg. No.		LFH-502U-2A		REV B
SCALE		2=1		SHEET 1 OF 1

NOTES: UNLESS OTHERWISE SPECIFIED, COMMON MODE CHOKE