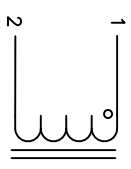


The information contained in this drawing is the sole property of CMS Coil Winding Specialist. Any reproduction in part or whole without written permission of CMS Coil Winding Specialist is prohibited.



SCHEMATIC

8 BUILT TO ROHS COMPLIANCE AND LEAD FREE
POTTING COMPOUND

7 ENCAPSULATE WOUND INDUCTOR WITH POLYSILOXANE

6 MARK PART NUMBER, REVISION AND DATE CODE
5 WRAP INDUCTOR WITH GLASS TAPE

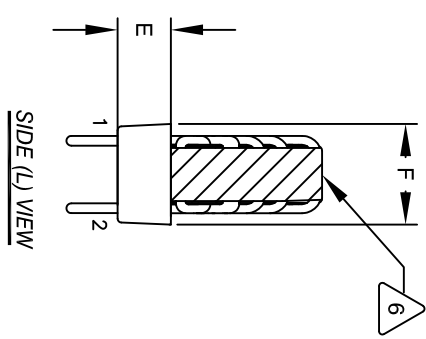
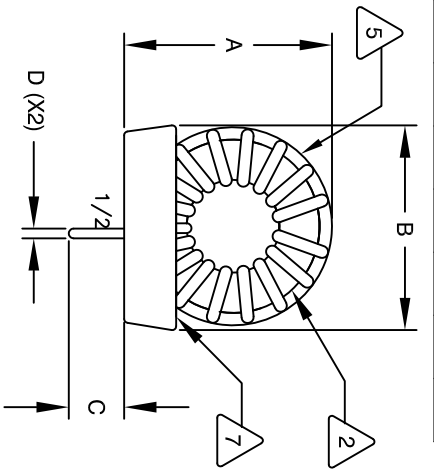
4 CONSTRUCTION:

WEIGHT = 52 GRAMS
OPERATING TEMP RANGE = -25°C TO 120°C
MAXIMUM TEMPERATURE RISE = 40°C WITH SOME AIRFLOW
SRF = GREATER THAN 10MHZ
Ls @ DC BIAS: SEE TABLE ON THE RIGHT
CURRENT RATING = 16 AMPS
DCR = 10.0 MILLI-OHMS MAX
INDUCTANCE = 33 uH ± 15% @ 1 KHz, 250mV
SPECIFICATIONS @ 25°C

3 POLYSILOXANE POTTING COMPOUND UL # E306078
WIRE: CLASS 200°C RATED
CORE: POWDERED TOROIDAL CORE
2 RATING CLASS H (180°C MINIMUM) REQUIRED
MATERIAL: UL RECOGNIZED FOR FLAMMABILITY

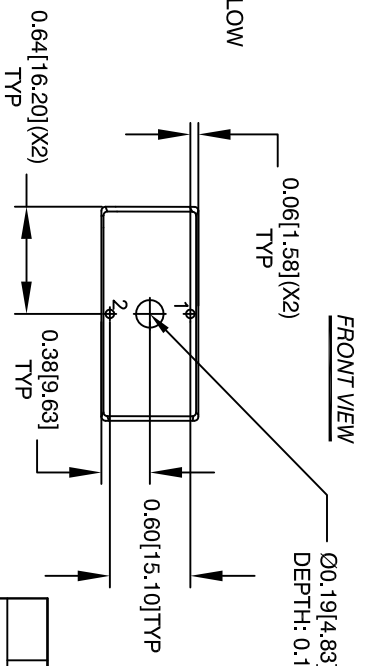
ANY TOLERANCE. THIS DIM. CAN VARY A LITTLE FROM PART TO PART.
"TYP" IN DIM. TABLE REFERS TO A NON-CRITICAL TYPICAL (AVERAGE) DIM. WITHOUT
NOTES: UNLESS OTHERWISE SPECIFIED, READ FROM BOTTOM UP.

DIMENSIONAL TOLERANCES INCHES [MM]						
A	B	C	D	E	F	P
TYP	TYP	MIN	REF	TYP	TYP	REF
1.42 [36.13]	1.31 [33.33]	0.33 [8.40]	0.06 [1.57]	0.45 [11.30]	0.76 [19.25]	0.06 [1.510]



DC BIAS TABLE

DC BIAS (AMP)	Ls@1KHz (REF)
0	33 uH
5	33 uH
10	31 uH
15	30 uH
16	29 uH



FRONT VIEW

MOUNTING HOLES PATTERN

PARTS LIST

CODE IDENT	MFG. P/N	DESCRIPTION	ITEM NO.
AUTOCAD	X		
SOLIDWORKS			
SIGN	DATE		
TN	04/20/21		
JM	04/20/21		
JL	04/20/21		
JL	04/20/21		

REVISION HISTORY

REV	ECN	DESCRIPTION	BR	DATE	CHK	DATE
A		PRE-PRODUCTION RELEASE	TN	04/20/21	JL	04/20/21

UNLESS OTHERWISE SPECIFIED

DIMENSIONING AND TOLERANCE PER ANSI Y14.5M AND [MILLIMETERS].

TOLERANCE INCHES: .XXX=±.005 .XX=±.015 .X=±.030 .XXX=±.127 .XX=±.254

ANGLE PROJECTION DO NOT SCALE DRAWING

COILWS.COM, INC
353 W. Grove Avenue
Orange, CA 92865

CWS Coil Winding Specialist

TITLE: Toroidal Power Chokes, 33uH

SIZE Dwg. No. MF270-330M-16AV-S

SCALE NOT TO SCALE

SHEET 1 OF 1