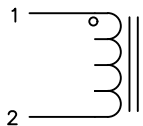


The information contained in this drawing is the sole property of CWS Coil Winding Specialist. Any reproduction in part or whole without written permission of CWS Coil Winding Specialist is prohibited.



SCHEMATIC

8 BUILT TO RoHS COMPLIANCE AND LEAD FREE

7 POT COIL IN POTTING CUP AS SHOWN

6 LABEL PART NUMBER, REVISION AND DATE CODE

5 REMOVE INSULATION AND TIN LEADS

4 WIND COILS EVENLY SPACED AROUND THE CORE CONSTRUCTION:

INTERWINDING CAPACITANCE = 8.9pF TYP @ SRF

SRF = 46.8 MHz TYPICAL

|Z| = 588 OHMS TYP @ SRF

RECOMMENDED AMBIENT OPERATING TEMP: -40°C TO 155°C

HI-POT TEST FOR WINDING TO CORE ISOLATION = 500VDC MIN.

INDUCTOR CURRENT RATING : 18 AMPS, 40°C TEMP. RISE WITH SOME AIR FLOW

DCR = 2.0 MILLI-OHMS MAX.

INDUCTANCE @ DC BIAS: SEE TABLE ON THE RIGHT

INDUCTANCE = 1.5uH ± 15% @ 0 AMP DC BIAS, 1.0 KHz, 250mV

3 SPECIFICATIONS: @ 25°C:

2 WIRE: UL RECOGNIZED 200°C RATED MAGNET WIRE
CORE: POWDERED TOROIDAL CORE, CWS BYTE MARK OR OTHER APPROVED PART

1 MATERIAL: UL RECOGNIZED 94V-0 FOR FLAMMABILITY, RATING CLASS B (130°C MIN.) REQUIRED

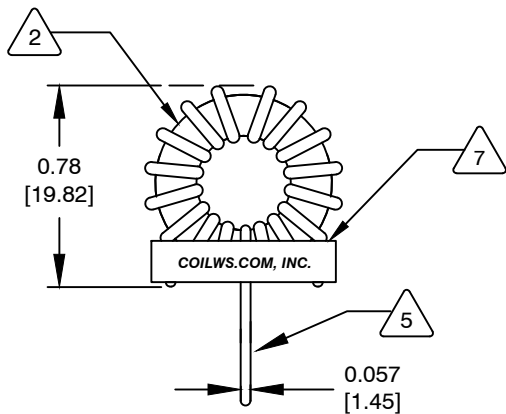
ANY TOLERANCE. THIS DIM. CAN VARY A LITTLE FROM PART TO PART.

"TYP" IN ALL THE DIM. REFERS TO A NON-CRITICAL TYPICAL (AVERAGE) DIM. WITHOUT

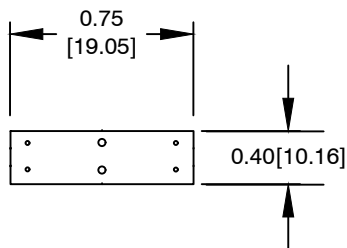
NOTE 2: UNLESS OTHERWISE SPECIFIED, ALL DIMENSIONS ARE TYPICAL.

NOTE 1: UNLESS OTHERWISE STATED, READ NOTES FROM BOTTOM UP.

CAGE CODE: 5DME2

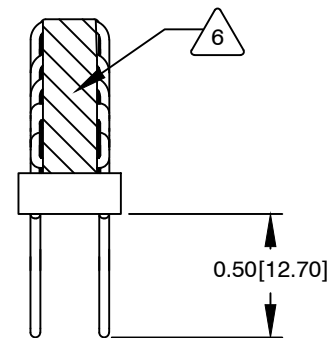


FRONT VIEW

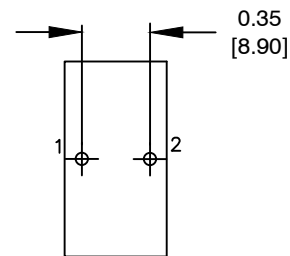


BOTTOM VIEW

REVISION HISTORY						
REV	ECN	DESCRIPTION	SIGN & DATE			
			BY	DATE	CHK	DATE
A		INITIAL DRAWING RELEASE	TN	01/23/2021	JL	01/23/2021



SIDE VIEW



MOUNTING HOLES PATTERN

DC BIAS TABLE

DC BIAS (AMP)	L@ 1KHz (REF)
0	1.5uH
5	1.4uH
10	1.4uH
16	1.3uH
18	1.1uH

CODE IDENT	MFG. P/N	DESCRIPTION	ITEM NO.
PARTS LIST			
AUTOCAD	X	COILWS COM, INC www.coilws.com	CWS Coil Winding Specialist. 353 West Grove Ave. Orange, CA 92865
SOLIDWORKS			
DRAWN	TN 01/23/2021	TITLE: Toroidal Power Chokes Toroid Inductor	
CHECKED	JM 01/23/2021		
ENGR.	JL 01/23/2021		
APPR.	JL 01/23/2021		
SIZE	B	DWG. NO.	MHF127-015M-18A
SCALE	2=1	REV	A
			SHEET 1 OF 1

UNLESS OTHERWISE SPECIFIED			
DIMENSIONING AND TOLERANCE PER ANSI Y14.5M			
ALL DIMENSIONS ARE IN INCHES AND [MILLIMETERS].			
TOLERANCE INCHES: .XXX=±.005 .XX=±.015 $\sphericalangle=±0°30'$			
TOLERANCE METRICS: .XXX=±.127 .XX=±.38 $\sphericalangle=±0°30'$			
ANGLE PROJECTION 			
DO NOT SCALE DRAWING			

CAD-FILE: