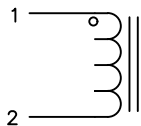


The information contained in this drawing is the sole property of CWS Coil Winding Specialist. Any reproduction in part or whole without written permission of CWS Coil Winding Specialist is prohibited.



SCHEMATIC

8 BUILT TO RoHS COMPLIANCE AND LEAD FREE

7 POT COIL IN POTTING CUP AS SHOWN

6 LABEL PART NUMBER, REVISION AND DATE CODE

5 REMOVE INSULATION AND TIN LEADS

4 WIND COILS EVENLY SPACED AROUND THE CORE CONSTRUCTION:

INTERWINDING CAPACITANCE = 8.3pF TYP @ SRF

SRF = 9.2MHz TYPICAL

|Z| = 4.3 KILO-OHMS TYP @ SRF

RECOMMENDED AMBIENT OPERATING TEMP: -40°C TO 155°C

HI-POT TEST FOR WINDING TO CORE ISOLATION = 500VDC MIN.

INDUCTOR CURRENT RATING : 6.4 AMPS, 40°C TEMP. RISE WITH SOME AIR FLOW

DCR = 17.0 MILLI-OHMS MAX.

INDUCTANCE @ DC BIAS: SEE TABLE ON THE RIGHT

INDUCTANCE = 25uH±10% @ 0 AMP DC BIAS, 1.0 KHz, 250mV

3 SPECIFICATIONS: @ 25°C:

2 WIRE: UL RECOGNIZED 200°C RATED MAGNET WIRE
CORE: POWDERED TOROIDAL CORE, CWS BYTE MARK OR OTHER APPROVED PART

1 MATERIAL: UL RECOGNIZED 94V-0 FOR FLAMMABILITY, RATING CLASS B (130°C MIN.) REQUIRED

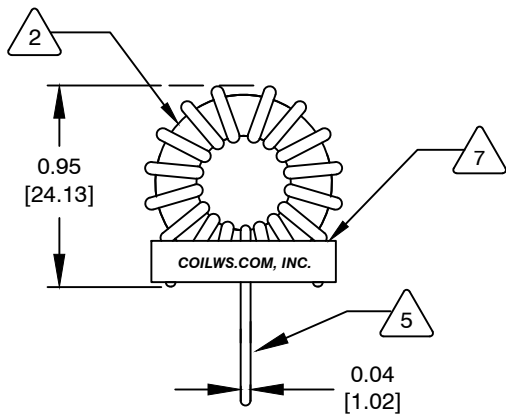
ANY TOLERANCE. THIS DIM. CAN VARY A LITTLE FROM PART TO PART.

"TYP" IN ALL THE DIM. REFERS TO A NON-CRITICAL TYPICAL (AVERAGE) DIM. WITHOUT

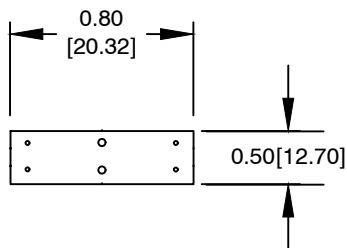
NOTE 2: UNLESS OTHERWISE SPECIFIED, ALL DIMENSIONS ARE TYPICAL.

NOTE 1: UNLESS OTHERWISE STATED, READ NOTES FROM BOTTOM UP.

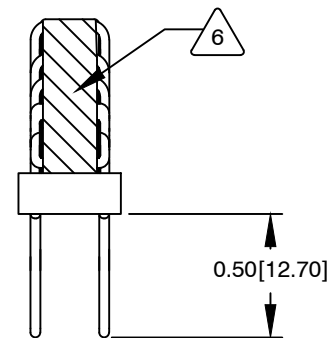
CAGE CODE: 5DME2



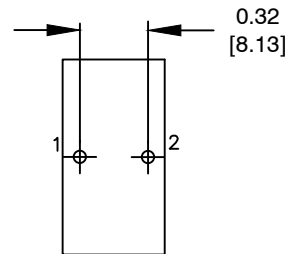
FRONT VIEW



BOTTOM VIEW



SIDE VIEW



MOUNTING HOLES PATTERN

REVISION HISTORY

| REV | ECN | DESCRIPTION | SIGN & DATE | | | |
|-----|-----|-------------------------|-------------|------------|-----|------------|
| | | | BY | DATE | CHK | DATE |
| A | | INITIAL DRAWING RELEASE | TN | 01/23/2021 | JL | 01/23/2021 |

DC BIAS TABLE

| DC BIAS (AMP) | L@ 1KHz (REF) |
|---------------|---------------|
| 0 | 25uH |
| 2 | 24uH |
| 4 | 24uH |
| 6 | 23uH |
| 6.4 | 22uH |

| CODE IDENT | MFG. P/N | DESCRIPTION | ITEM NO. |
|-------------------|---------------|---|---|
| PARTS LIST | | | |
| AUTOCAD | X | COILWS COM, INC www.coilws.com | CWS Coil Winding Specialist. 353 West Grove Ave. Orange, CA 92865 |
| SOLIDWORKS | | | |
| DRAWN | TN 01/23/2021 | TITLE: Toroidal Power Chokes Toroid Inductor | |
| CHECKED | JM 01/23/2021 | | |
| ENGR. | JL 01/23/2021 | | |
| APPR. | JL 01/23/2021 | | |
| SIZE | B | DWG. NO. | MHF166-250M-6.4A |
| SCALE | 2=1 | REV | A |
| | | | SHEET 1 OF 1 |

| UNLESS OTHERWISE SPECIFIED | |
|---|--|
| DIMENSIONING AND TOLERANCE PER ANSI Y14.5M | |
| ALL DIMENSIONS ARE IN INCHES AND [MILLIMETERS]. | |
| TOLERANCE INCHES: .XXX=±.005 .XX=±.015 $\sphericalangle=±0°30'$ | |
| TOLERANCE METRICS: .XXX=±.127 .XX=±.38 $\sphericalangle=±0°30'$ | |
| ANGLE PROJECTION | |
| DO NOT SCALE DRAWING | |

CAD-FILE: