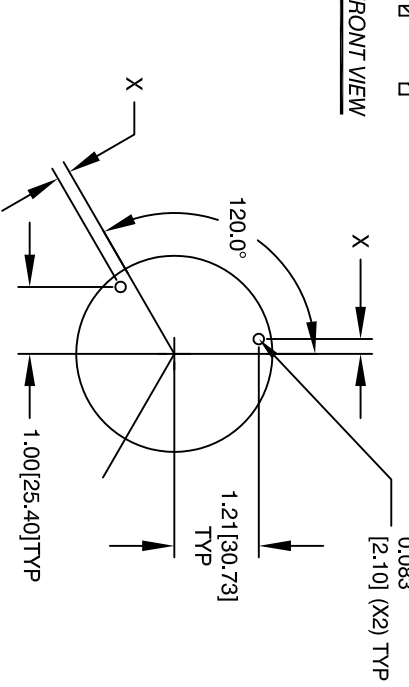
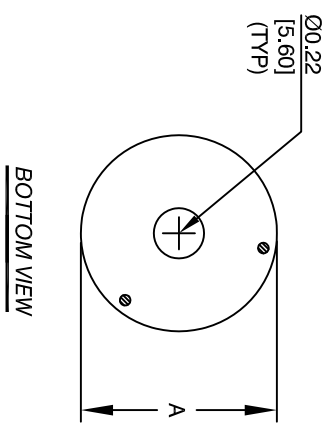
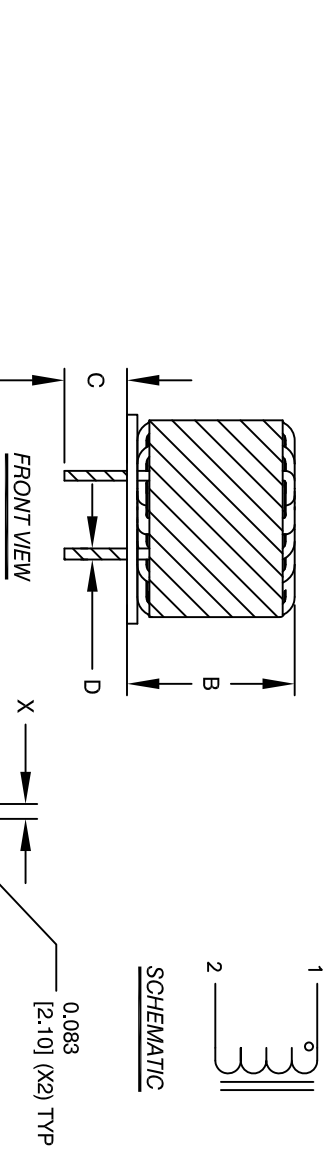


The information contained in this drawing is the sole property of CMS Coil Winding Specialist. Any reproduction in part or whole without written permission of CMS Coil Winding Specialist is prohibited.

DIMENSIONAL TOLERANCES INCHES [MM]					
A	B	C	D		X
MAX	MAX	MIN	REF		REF
2.68 [68.00]	1.87 [47.50]	0.75 [19.05]	0.07 [1.83]		0.118 [3.00]

REVISION HISTORY		SIGN & DATE				
REV	ECN	DESCRIPTION	BY	DATE	CHK	DATE
A		PRODUCTION RELEASE	JL	05/22/17	AM	05/22/17
B		ADDED MISSING BASE DIMENSIONS & CORRECTED MOUNTING HOLE PATTERN VIEW	TN	02/25/21	JL	02/25/21
B1		CORRECTED TYPO IN MOUNTING HOLE DIM.	TN	04/28/21	JL	04/28/21



- BUILT TO ROHS COMPLIANCE.
- IF APPLICABLE, LABEL PART NUMBER AND REVISION
- POSITION LEADS AS REQUIRED
REMOVE WIRE INSULATION AND TIN
WIND COILS EVENLY SPACED
CONSTRUCTION:
- WEIGHT: ~850 GRAMS
- HI-POT WINDING-TO-CORE 1250 V AC, 10 SEC
INTERWINDING CAPACITANCE = 127PF
|Z| @ SRF = 71 KΩ
DCR = 60mΩ MAX
SRF ~ 350 KHz
MAX TEMP. RISE @ IDC 20 AMP, LESS THAN 50°C WITH NO AIRFLOW
DC BIASED = 20 AMPS, INDUCTANCE = 0.88 mH
DC BIASED = 10 AMPS, INDUCTANCE = 1.34 mH
INDUCTANCE @ 0 AMP = 1.6 mH±15% (LESS THAN 10% RIPPLE)
TEST FREQUENCY: 1.0 KHz; TEST VOLTAGE: 250mV
RATED MAX. CURRENT = 20 AMPS RMS; FREQUENCY: 1KHz
OPERATING TEMPERATURE RANGE: -40° TO 180°C
SPECIFICATIONS @ 25°C
- WIRE: UL RATED CLASS 200°C
CORE: HIGH TEMP POWDERED CORE
- RATING UL-CLASS H (180°C) REQUIRED
MATERIAL: UL RECOGNIZED FLAMMABILITY

NOTES: UNLESS OTHERWISE SPECIFIED, READ NOTES FROM BOTTOM TO UP.

UNLESS OTHERWISE SPECIFIED	
DIMENSIONING AND TOLERANCE PER ANSI Y14.5M AND [MILLIMETERS]	ANGLE PROJECTION
TOLERANCE INCHES: XXX=±.005 XX=±.015 X=±.030 XXX=±.127 XX=±.38 X=±.95	DO NOT SCALE DRAWING

CODE IDENT	MFG. P/N	DESCRIPTION	ITEM NO.
PARTS LIST			
AUTOCAD SOLIDWORKS		CMS Coil Winding Specialist 353 W Grove Ave Orange, CA 92865	
DRWN	DATE	TITLE:	
JL	05/22/17	Toroidal Power Inductor	
CHKD	DATE	SIZE (Dwg. No.)	
AM	05/22/17	B	
ENGR	DATE	SCALE	
KLC	05/22/17	NOT TO SCALE	
APPR	DATE	SHEET	
KLC	05/22/17	1 OF 1	