

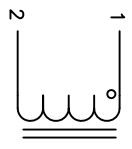
The information contained in this drawing is the sole property of CWS Coil Winding Specialist. Any reproduction in part or whole without written permission of CWS Coil Winding Specialist is prohibited.

DIMENSIONAL TOLERANCES INCHES [MM]

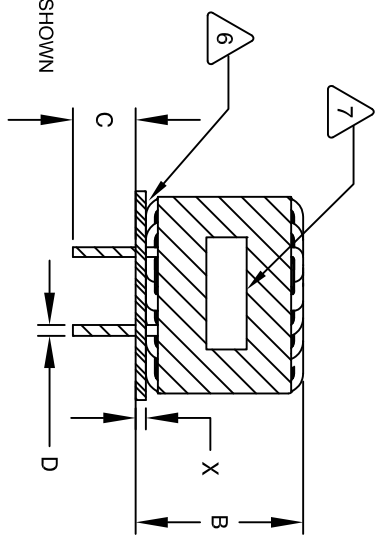
A	B	C	D	X
MAX	MAX	MIN	REF	REF
2.91 [74.00]	2.56 [65.00]	0.75 [19.05]	0.10 [2.50]	0.07 [1.70]

REVISION HISTORY

REV	ECN	DESCRIPTION	BY	DATE	CHK	DATE
A		PRODUCTION RELEASE	TN	11/07/18	JL	11/07/18



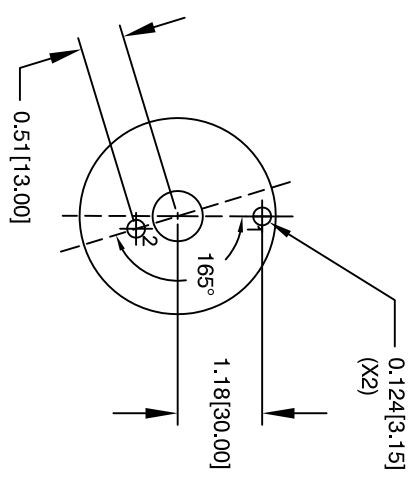
SCHEMATIC



FRONT VIEW



BOTTOM VIEW



MOUNTING HOLES PATTERN (TOP VIEW)

DC BIAS TABLE

DC Bias (AMP)	Inductance (uH) @10KHz
0	660
10	630
15	600
20	550
25	500
30	450
35	400
40	350

- 8 BUILT TO ROHS COMPLIANCE.
- 7 IF APPLICABLE, LABEL PART NUMBER AND REVISION
- 6 APPLY SILICONE TO BOND LEADS TO FR4 BASE WHERE SHOWN  
POSITION LEADS AS REQUIRED AND REMOVE WIRE INSULATION AND TIN AND WRAP COIL WITH GLASS TAPE WIND COILS EVENLY SPACED AROUND CORES
- 5 CONSTRUCTION:
- 4 WEIGHT: 1030 GRAMS TYP  
HI-POT WINDING-TO-CORE 1250 VAC, 10 SEC  
INTERWINDING CAPACITANCE = 75pF TYP @ SRF  
|Z| = 29KΩ TYP @ SRF  
DCR = 21mΩ MAX  
SRF = 710KHz TYP  
MAX TEMP: RISE @ IDC 40 AMP, LESS THAN 40°C WITH NO AIRFLOW  
DC BIASED: SEE TABLE ON THE RIGHT  
INDUCTANCE @ 0 AMP = 650uH±15%  
TEST FREQUENCY: 10 KHz ; TEST VOLTAGE: 250mV  
RATED MAX. CURRENT = 40 AMPS RMS ; FREQUENCY: 10KHz  
OPERATING TEMPERATURE RANGE : -40°C TO 180°C  
SPECIFICATIONS @ 25°C:
- 3
- 2 WIRE: UL RATED CLASS 220°C  
CORE: HIGH TEMP MEGA FLUX POWDERED CORE
- 1 RATING UL-CLASS H (220°C) REQUIRED  
MATERIAL: UL RECOGNIZED FLAMMABILITY

NOTES: UNLESS OTHERWISE SPECIFIED, READ NOTES FROM BOTTOM TO UP.

CAGE CODE: 5DME2

UNLESS OTHERWISE SPECIFIED

DIMENSIONING AND TOLERANCE PER ANSI Y14.5M AND [MILLIMETERS].	TOLERANCE INCHES:	ANGLE PROJECTION
.XXX±.005 XX±.015	∠=±0°30'	DO NOT SCALE DRAWING
.XXX±.127 XX±.38	∠=±0°30'	

CODE IDENT	MFG. P/N	DESCRIPTION	ITEM NO.

AUTOCAD SOLIDWORKS		PARTS LIST	
SIGN	DATE	DESCRIPTION	ITEM NO.
TN	11/07/18		
JM	11/07/18		
JL	11/07/18		
JL	11/07/18		

DRAWN		CHECKED		ENGR.		APPR.	
TN	11/07/18	JM	11/07/18	JL	11/07/18	JL	11/07/18

SIZE	DWG. NO.	SCALE	NOT_TO_SCALE	SHEET	OF
B	MK6102-651M-40AH			1	1

**COILWS.COM, INC**  
353 W Grove Ave  
Orange, CA 92865

**Toroidal Power Inductor**  
650uH, 40 Amps

CWS Coil Winding Specialist.