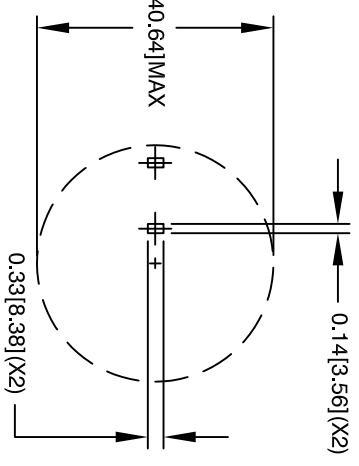
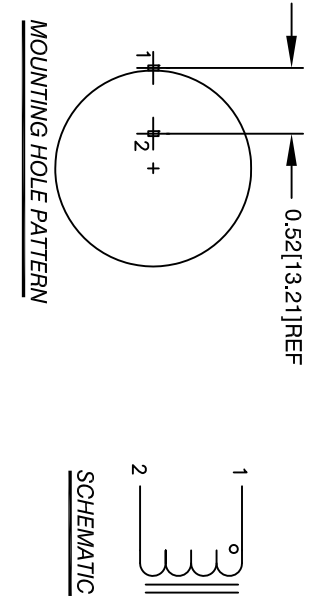
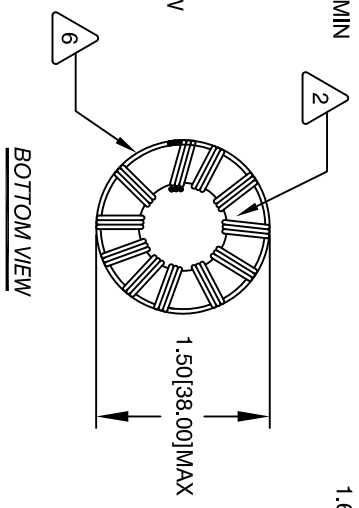
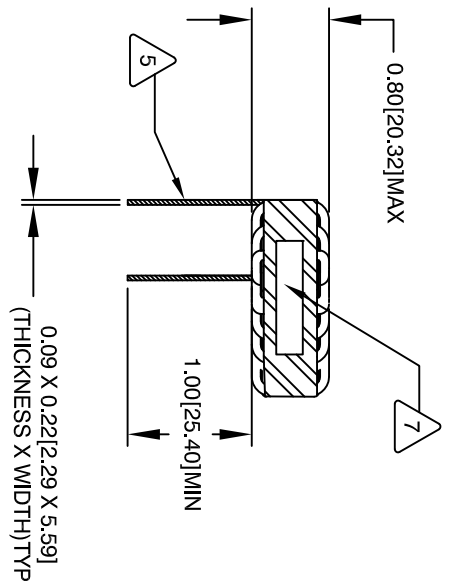


The information contained in this drawing is the sole property of CMS Coil Winding Specialist. Any reproduction in part or whole without written permission of CMS Coil Winding Specialist is prohibited.



- 8 BUILT TO ROHS COMPLIANCE AND LEAD FREE
- 7 MARK PART NUMBER, REVISION AND DATE CODE
- 6 WRAP INDUCTOR WITH GLASS TAPE AS SHOWN
COIL MUST REST FLAT ON PCB
- 5 FLUSH WITH THE COIL EDGE AS SHOWN
REMOVE INSULATION AND TIN LEADS APPROX. 1.0 INCH
WIND THIRD WIRE IN BETWEEN THE BIFILAR WINDING
WIND BIFILAR COIL EVENLY SPACED
- 4 CONSTRUCTION:
WEIGHT: .62 GRAMS TYP
HI-POT TEST FOR WINDING TO CORE ISOLATION = 500VDC MIN
INDUCTOR OPERATING TEMP. RANGE: -40°C TO +155°C
INTERWINDING CAPACITANCE = 32pF TYP @ SRF
|Z| = 620 OHMS TYP @ SRF
SRF = 9.2MHz TYPICAL
CURRENT RATING : 50 AMPS, 44 °C TEMP. RISE, NO AIR FLOW
DCR = 1.50 MILLI-OHMS MAX.
INDUCTOR DC BIAS: SEE TABLE ON THE RIGHT
INDUCTANCE = 10 uH ± 15% @ 100kHz, 1Vrms
- 3 SPECIFICATIONS @ 25°C:
OUTER WRAP: 3M #79 GLASS CLOTH TAPE OR EQUAL
WIRE: UL RECOGNIZED 200°C RATED MAGNET WIRE
CORE: MPP COATED TOROIDAL CORE
RATING CLASS B (130°C MIN.) REQUIRED
- 1 MATERIAL: UL RECOGNIZED 94V-0 FOR FLAMMABILITY



INDUCTOR DC BIAS TABLE

DC BIAS	L (TYP)
0A	10uH
10A	9uH
20A	8uH
30A	6uH

REVISION HISTORY

REV	ECN	DESCRIPTION	BY	DATE	CHK	DATE
A		PRODUCTION RELEASE	TN	5/14/18	JL	5/14/18
A1		REVISED PCB LAYOUT DIM.	TN	08/23/18	JL	08/23/18

UNLESS OTHERWISE SPECIFIED
DIMENSIONING AND TOLERANCE PER ANSI Y14.5M AND [MILLIMETERS].
TOLERANCE INCHES: .XXX=±.005 .XX=±.015 .X=±.030
TOLERANCE METRICS: .XXX=±.127 .XX=±.38 .X=±.95
ANGLE PROJECTION DO NOT SCALE DRAWING

RECOMMENDED PCB LAYOUT AND FOOT PRINT

CODE IDENT	MFG. P/N	DESCRIPTION	ITEM NO.
PARTS LIST			
AUTOCAD SOLIDWORKS	X	CMS Coil Winding Specialist. 353 West Grove Avenue Orange, CA 92865	
DRWN	TN	DATE	
CHKD	JL	5/14/18	
ENGR	JM	5/14/18	
APPR	JL	5/14/18	
TITLE:		Differential Mode Inductor	
SIZE		10.0uH, 50 Amp	
DWG. NO.		Horizontal Mount	
SCALE		MP270-100M-50AH	
SHEET		1 OF 1	