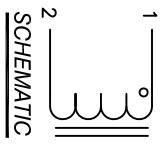
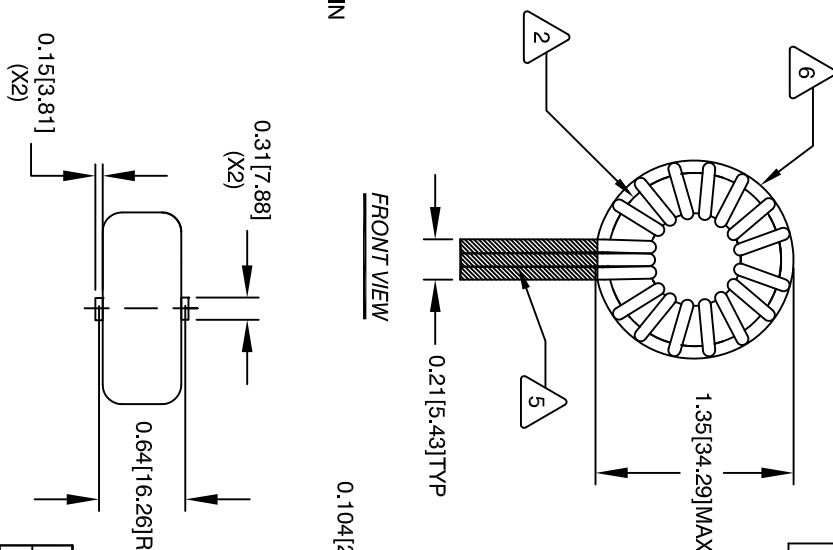


The information contained in this drawing is the sole property of CMS Coil Winding Specialist. Any reproduction in part or whole without written permission of CMS Coil Winding Specialist is prohibited.



- 8 BUILT TO ROHS COMPLIANCE AND LEAD FREE
  - 7 MARK PART NUMBER, REVISION AND DATE CODE
  - 6 WRAP INDUCTOR WITH GLASS TAPE AS SHOWN  
LEADS MUST BE TANGENT TO THE CORE  
COIL MUST REST FLAT ON PCB AND  
FLUSH WITH THE COIL EDGE AS SHOWN
  - 5 REMOVE INSULATION AND TIN LEADS APPROX. 1.0 INCH  
WIND THIRD WIRE IN BETWEEN THE BIFILAR WINDING  
WIND BIFILAR COIL EVENLY SPACED
  - 4 CONSTRUCTION:  
WEIGHT: 62 GRAMS TYP  
HI-POT TEST FOR WINDING TO CORE ISOLATION = 500VDC MIN  
INDUCTOR OPERATING TEMP. RANGE: -40°C TO +155°C  
INTERWINDING CAPACITANCE = 32pF TYP @ SRF  
 $|Z| = 620 \text{ OHMS TYP @ SRF}$   
SRF = 9.2MHz TYPICAL  
CURRENT RATING : 50 AMPS, 44 °C TEMP. RISE, NO AIR FLOW  
DCR = 1.50 MILLI-OHMS MAX.  
INDUCTOR DC BIAS: SEE TABLE ON THE RIGHT  
INDUCTANCE = 10 uH ± 15% @ 100KHz, 1Vrms
  - 3 SPECIFICATIONS @ 25°C:  
OUTER WRAP: 3M #79 GLASS CLOTH TAPE OR EQUAL  
WIRE: UL RECOGNIZED 200°C RATED MAGNET WIRE  
CORE: MPP COATED TOROIDAL CORE
  - 2 RATING CLASS B (130°C MIN), REQUIRED  
MATERIAL: UL RECOGNIZED 94V-0 FOR FLAMMABILITY
- NOTES: TOROIDAL POWER CHOKE. ALL DIMENSIONS IN INCHES  
CAGE CODE: 5DMWE2



REVISION HISTORY		SIGN & DATE				
REV	ECN	DESCRIPTION	BY	DATE	CHK	DATE
A		PRODUCTION RELEASE	TKK	2/09/04	JLJU	2/9/04
B		REVISED DIMENSIONS & SPECIFICATIONS	KLC	4/20/09	AM	4/20/09
C		REVISED ELEC. & MECH. SPEC.	TN	4/28/18	JL	4/28/18

DC BIAS	L (TYP)
0A	10uH
10A	9uH
20A	8uH
30A	6uH

**MOUNTING HOLES PATTERN**

**PARTS LIST**

CODE	IDENT	MFG. P/N	DESCRIPTION	ITEM NO.
AUTOCAD		X		
SOLIDWORKS				
SIGN				
DATE				
DRWN	TKK	2/8/04		
CHKD	JLJU	2/9/04		
ENGR	KSUM	3/5/04		
APPR	JLJU	3/6/04		

**COWS COM, INC**  
1510 E. Edinger Ave.,  
Unit B, Santa Ana, CA. 92705

**CMS Coil Winding Specialist.**

**TITLE:** Differential Mode Inductor  
10.0uH, 50 Amp

**SIZE (ING. NO.)** B  
**SCALE** 2=1

**MP270-100M-50AV**

**REV C**