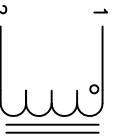


The information contained in this drawing is the sole property of CWS Coil Winding Specialist. Any reproduction in part or whole without written permission of CWS Coil Winding Specialist is prohibited.



SCHEMATIC

DIMENSIONAL TOLERANCES INCHES [MM]					
A	B	C	D	Y	
MAX 1.00 [25.40]	MAX 0.41 [10.50]	MIN 0.50 [12.70]	TYP 0.06 [1.50]		REF 0.34 [8.63]

REVISION HISTORY		SIGN & DATE	
REV	ECN	BY	DATE
A		TN	11/05/18
DESCRIPTION		CHK	DATE
PRODUCTION RELEASE		JL	11/05/18

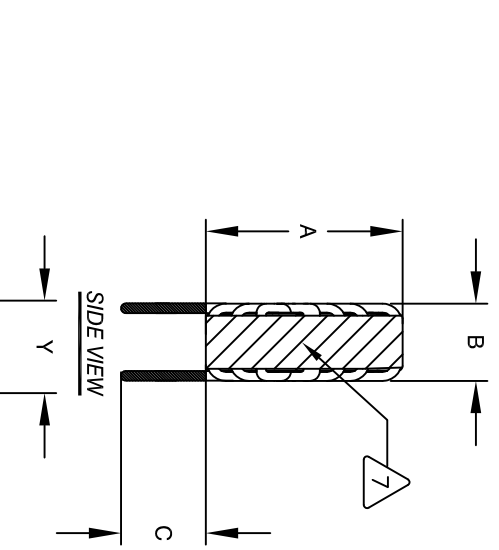
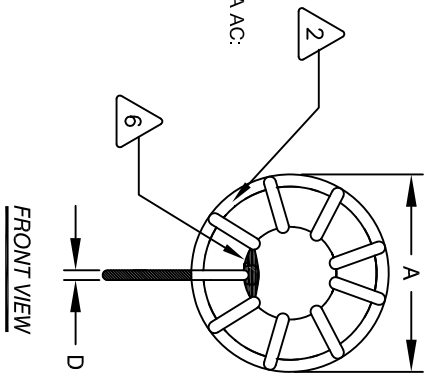
- 9 BUILT TO ROHS COMPLIANCE AND LEAD FREE  
CORE LOSS = 87 MILLIWATTS TYP @ 200KHZ  
WINDING LOSS = 1.0 WATT TYP @ 200KHZ
- 8 CORE AND WINDING LOSSES INFORMATION @ 15A DC, 1.5A AC:
- 7 LABEL PART NUMBER, REVISION AND DATE CODE
- 6 APPLY EPOXY OR GLUE TO HOLD LEADS

- LEADS TO CORE AS REQUIRED  
REMOVE WIRE INSULATION, TIN AND STRIP  
VARNISH PART USING AC-43 OR EQUIVALENT  
WIND COILS EVENLY SPACED
- 5 CONSTRUCTION:
- 4 WEIGHT: 14 GRAMS TYP

- H-POT WINDING TO CORE: 500VAC, 2mA, 2s  
DCR = 6.0 MILLI-OHMS MAX  
INDUCTOR MAX TEMP: RISE @ 15 AMP, < 40°C WITH NO AIRFLOW  
DC BIASED: SEE TABLE ON THE RIGHT  
INDUCTANCE = 5.0uH±15%
- INDUCTOR OPERATING FREQUENCY RANGE: 100KHZ TO 750KHZ  
TEST FREQUENCY: 100 KHZ ; TEST VOLTAGE: 250mV  
AMBIENT OPERATING TEMP.: -40°C TO 110°C  
INDUCTOR OPERATING TEMP. RANGE : -40°C TO 105°C
- 3 SPECIFICATIONS @ 25°C:

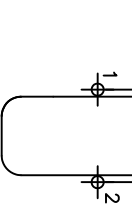
- WIRE: UL RECOGNIZED CLASS 155°C RATED LITZ WIRE  
CORE: COATED MPP TOROIDAL CORE
- 2
- RATING CLASS 155°C REQUIRED
- 1 MATERIAL: UL RECOGNIZED 94V-0 FLAMMABILITY

NOTES: UNLESS OTHERWISE SPECIFIED, READ NOTES FROM BOTTOM TO UP.  
CAGE CODE: 5DME2  
EP FORM005 REV 3 10/01



DC BIAS TABLE

DC Bias (AMP)	Inductance (uH) @100KHz
0	5.0
2	5.0
4	5.0
6	4.8
8	4.6
10	4.4
12	4.0
14	4.0
16	3.7



MOUNTING HOLES PATTERN

CODE IDENT	MFG. P/N	DESCRIPTION	ITEM NO.
		PARTS LIST	
AUTOCAD SIGN	X		
SOLIDWORKS			
DRAWN TN	11/05/18		
CHKD JM	11/05/18		
ENGR JL	11/05/18		
APPR JL	11/05/18		

UNLESS OTHERWISE SPECIFIED	ALL DIMENSIONS ARE IN INCHES AND [MILLIMETERS]
DIMENSIONING AND TOLERANCE PER ANSI Y14.5M	
TOLERANCE INCHES:	∅ = ±0.30'
XXX=±.005 XX=±.015	∅ = ±0.30'
TOLERANCE METRICS:	∅ = ±0.30'
XXX=±.127 XX=±.38	
ANGLE PROJECTION	
DO NOT SCALE DRAWING	

TITLE:	SIZE	SCALE
High Frequency Power Inductor	B	NOT TO SCALE
5.0 uH, 15 Amp, Vertical Mount		

COMPANY:	ADDRESS:
COLIWS COM, INC	353 W Grove Ave Orange, CA 92665

DATE:	BY:	DATE:	BY:
11/05/18	TN	11/05/18	JL