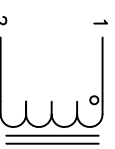


The information contained in this drawing is the sole property of CWS Coil Winding Specialist. Any reproduction in part or whole without written permission of CWS Coil Winding Specialist is prohibited.



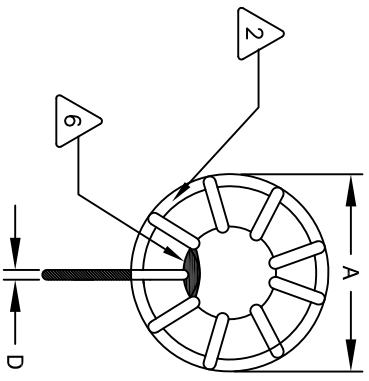
SCHEMATIC

DIMENSIONAL TOLERANCES INCHES [MM]					
A	B	C	D	Y	REF
MAX 1.70 [29.72]	MAX 0.51 [13.00]	MIN 0.50 [12.70]	TYP 0.06 [1.60]		0.43 [11.00]

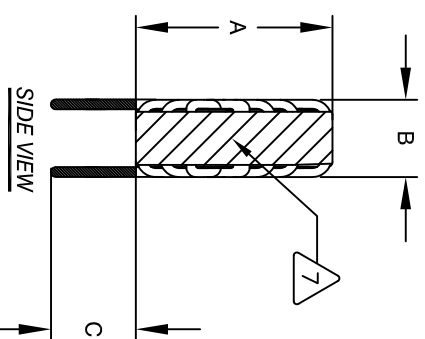
REVISION HISTORY		SIGN & DATE	
REV	ECN	BY	DATE
A		TN	11/07/18

DESCRIPTION		SIGN & DATE	
REV	ECN	BY	DATE
A		TN	11/07/18

- 9 BUILT TO ROHS COMPLIANCE AND LEAD FREE
CORE LOSS = 16 MILLI-WATTS TYP @ 200KHZ
WINDING LOSS = 1.3 WATTS TYP @ 200KHZ
- 8 CORE AND WINDING LOSSES INFORMATION @ 15A DC, 1.5A AC:
LABEL PART NUMBER, REVISION AND DATE CODE



FRONT VIEW



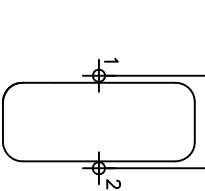
SIDE VIEW

DC Bias (AMP)	Inductance (uH) @100KHZ
0	5.0
2	5.0
4	5.0
6	5.0
8	5.0
10	4.8
12	4.7
14	4.6
16	4.5

DC BIAS TABLE

- 6 APPLY EPOXY OR GLUE TO HOLD LEADS
LEADS TO CORE AS REQUIRED
REMOVE WIRE INSULATION, TIN AND STRIP
VARNISH PART USING AC-43 OR EQUIVALENT
WIND COILS EVENLY SPACED AROUND THE CORE
CONSTRUCTION:
- 4 WEIGHT: 17 GRAMS TYP
HI-POT WINDING-TO-CORE 500VAC, 2mA, 2s
DCR = 8.3 MILLI-OHMS MAX
INDUCTOR MAX TEMP. RISE @ 15 AMP, < 40°C WITH NO AIRFLOW
DC BIASED: SEE TABLE ON THE RIGHT
INDUCTANCE = 5.0uH±15%
INDUCTOR OPERATING FREQUENCY RANGE: 100KHZ TO 750KHZ
TEST FREQUENCY: 100 KHZ ; TEST VOLTAGE: 250mV
AMBIENT OPERATING TEMP.: -40°C TO 110°C
INDUCTOR OPERATING TEMP. RANGE : -40°C TO 105°C
SPECIFICATIONS @ 25°C:

MOUNTING HOLES PATTERN



- 2 WIRE: UL RECOGNIZED CLASS 155°C RATED LITZ WIRE
CORE: COATED MPP TOROIDAL CORE

- 1 RATING CLASS 155°C REQUIRED
MATERIAL: UL RECOGNIZED 94V-0 FLAMMABILITY
- NOTES: UNLESS OTHERWISE SPECIFIED, READ NOTES FROM BOTTOM TO UP.
CAGE CODE: 5DME2

CODE IDENT	MFG. P/N	DESCRIPTION	ITEM NO.
		PARTS LIST	
AUTOCAD SIGN	X		
SOLIDWORKS SIGN			
DRAWN TN	11/07/18		
CHKD JM	11/07/18		
ENGR JL	11/07/18		
APPR JL	11/07/18		

UNLESS OTHERWISE SPECIFIED	TITLE:	SIZE [Dwg. No.]	SCALE
DIMENSIONING AND TOLERANCE PER ANSI Y14.5M AND [MILLIMETERS]	High Frequency Power Inductor	B	NOT TO SCALE
TOLERANCE INCHES: .XX=±.015	5.0 uH, 15 Amp, Vertical Mount		
TOLERANCE METRICS: .XX=±.38			
ANGLE PROJECTION			
DO NOT SCALE DRAWING			

DESCRIPTION	ITEM NO.
CWS Coil Winding Specialist, 353 W Grove Ave Orange, CA 92665	