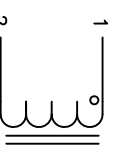


The information contained in this drawing is the sole property of CWS Coil Winding Specialist. Any reproduction in part or whole without written permission of CWS Coil Winding Specialist is prohibited.

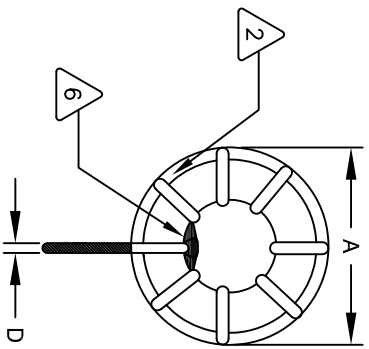


SCHEMATIC

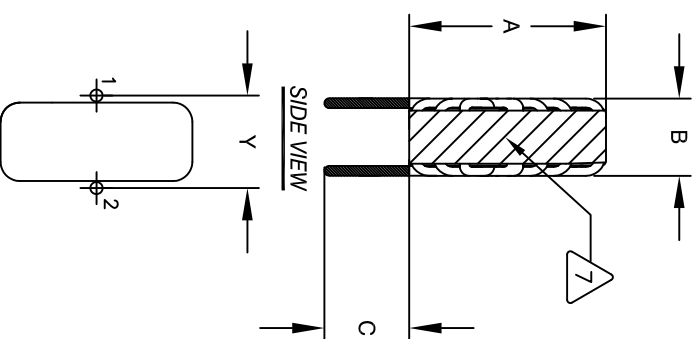
DIMENSIONAL TOLERANCES INCHES [MM]					
A	B	C	D	Y	REF
MAX 1.08 [27.45]	MAX 0.49 [12.50]	MIN 0.50 [12.70]	TYP 0.06 [1.60]		0.39 [10.00]

REVISION HISTORY			
REV	ECN	DESCRIPTION	DATE
A		PRODUCTION RELEASE	TN 11/08/18 JL 11/08/18

- 9 BUILT TO ROHS COMPLIANCE AND LEAD FREE  
CORE LOSS = 65 MILLI-WATTS TYP @ 200KHZ  
WINDING LOSS = 1.0 WATT TYP @ 200KHZ
- 8 CORE AND WINDING LOSSES @ 15AMP DC, 1.5AMP AC:  
  - 7 LABEL PART NUMBER, REVISION AND DATE CODE
  - 6 APPLY EPOXY OR GLUE TO HOLD LEADS
- LEADS TO CORE AS REQUIRED  
REMOVE WIRE INSULATION, TIN AND STRIP  
VARNISH PART USING AC-43 OR EQUIVALENT  
WIND COILS EVENLY SPACED AROUND THE CORE  
CONSTRUCTION:
- 4 WEIGHT: 20 GRAMS TYP



FRONT VIEW



SIDE VIEW

DC Bias (AMP)	Inductance (uH) @100KHZ
0	5.6
2	5.7
4	5.7
6	5.5
8	5.4
10	5.0
12	5.0
14	4.7
16	4.4

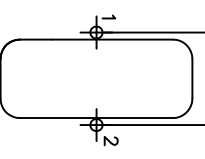
DC BIAS TABLE

- H-POT WINDING TO CORE: 500VAC, 2mA, 2s  
DCR = 6.2 MILLI-OHMS MAX  
INDUCTOR MAX TEMP. RISE @ 15 AMP, < 40°C WITH NO AIRFLOW  
DC BIASED: SEE TABLE ON THE RIGHT  
INDUCTANCE = 6.0uH±15%
- INDUCTOR OPERATING FREQUENCY RANGE: 100KHZ TO 750KHZ  
TEST FREQUENCY: 100 KHz ; TEST VOLTAGE: 250mV  
AMBIENT OPERATING TEMP.: -40°C TO 110°C  
INDUCTOR OPERATING TEMP. RANGE : -40°C TO 105°C  
SPECIFICATIONS @ 25°C:

- WIRE: UL RECOGNIZED CLASS 155°C RATED LITZ WIRE  
CORE: COATED MPP TOROIDAL CORE
- 2 RATING CLASS 155°C REQUIRED
- 1 MATERIAL: UL RECOGNIZED 94V-0 FLAMMABILITY

NOTES: UNLESS OTHERWISE SPECIFIED, READ NOTES FROM BOTTOM TO UP.  
CAGE CODE: 5DME2

MOUNTING HOLES PATTERN



CODE IDENT	MFG. P/N	DESCRIPTION	ITEM NO.
		<b>PARTS LIST</b>	
AUTOCAD	X		
SOLIDWORKS			
DRWN	TN	11/08/18	
ENGR	JL	11/08/18	
APPR.	JL	11/08/18	
TITLE:		CWS Coil Winding Specialist.	
DRAWN:		353 W Grove Ave	
ENGR:		Orange, CA 92865	
APPR:		www.coliws.com	
SIZE [DIM. IN]:		High Frequency Power Inductor	
SCALE:		6.0 uH, 15 Amp, Vertical Mount	
NOT TO SCALE		MPH229-060M-15.0AV	
SHEET 1 OF 1		REV A	