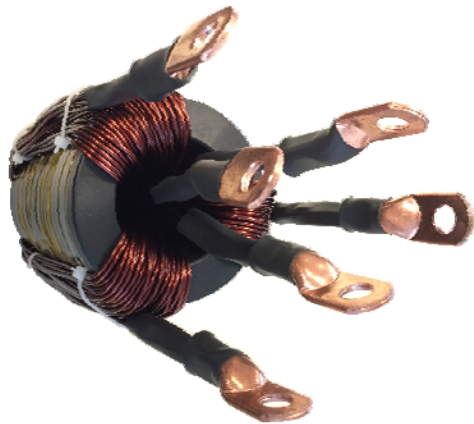
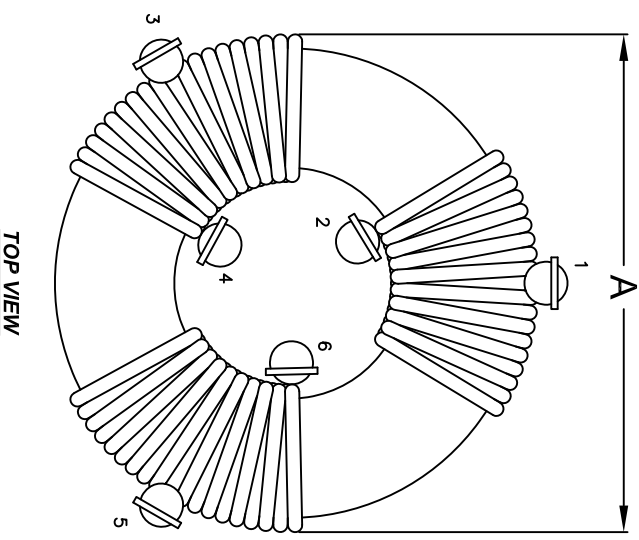
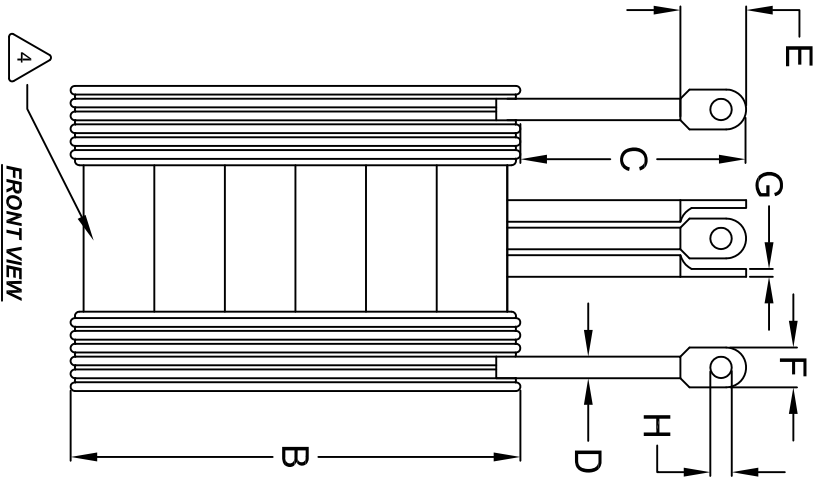
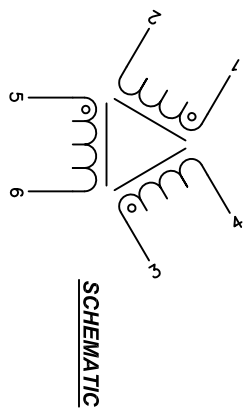


The information contained in this drawing is the sole property of Coil Winding Specialist Inc. (CWSI). Any reproduction in part or whole without written permission of CWSI is prohibited.



DIMENSIONAL TOLERANCE INCHES [MM]							
A	B	C	D	E	F	G	H
MAX	MAX	MIN	TYP	TYP	TYP	TYP	TYP
6.50 [165.10]	10.00 [254.00]	5.00 [127.00]	0.63 [16.00]	1.50 [38.10]	1.00 [25.40]	0.15 [3.81]	0.50 [12.70]

REVISION HISTORY			
REV	ECN	DESCRIPTION	SIGN & DATE
A		RELEASE	JL 08/03/17 JL 08/03/17
A1		ELECTRICAL CORRECTIONS	JL 08/11/17 JL 08/11/17



- 5 BUILT TO ROHS COMPLIANCE
- 4 LABEL PART NUMBER

WEIGHT = ~25 LBS  
 OPERATING TEMP RANGE = -40 °C TO 125°C  
 MAX TEMP RISE = 30 °C  
 INTERWINDING ISOLATION = 2500 VOLTS RMS,  
 DCR ON EACH WINDING = 800 uΩ MAX.  
 SRF ~ 8.65 MHZ TYP  
 RATED VOLTAGE = 1000 VAC OR VDC  
 RATED CURRENT = 300 AMPS  
 LEAKAGE INDUCTANCE = 5.6 uH TYP @ 100 KHZ, 0.25 Vrms,  
 INTERWINDING CAPACITANCE = 108 pF TYP @ SRF  
 IMPEDANCE = 1.4 KΩ NOM @ SRF  
 L = 6 mH NOM ±30% @ 10KHZ, 0.25 Vrms, 0 ADC

- 3 SPECIFICATIONS AT 25°C:  
 WIRE: UL RECOGNIZED 155°C RATED MAGNET WIRE  
 CWS BYTEMARK OR OTHER APPROVED PART  
 CORE: NANOCRYSTALLINE OR AMORPHOUS CORE
- 2 CASE RATING CLASS B (130°C) REQUIRED  
 MATERIAL: UL RECOGNIZED FOR FLAMMABILITY
- 1 NOTES: UNLESS OTHERWISE SPECIFIED, READ NOTES FROM BOTTOM TO TOP.  
 CAGE CODE: 5DME2

UNLESS OTHERWISE SPECIFIED		AUTOCAD		X	
DIMENSIONING AND TOLERANCE PER ANSI Y14.5M AND [DIMETERS]		SOLIDWORKS		SIGN	
TOLERANCE INCHES: $\pm .030$		DRAWN JL		DATE 08/03/17	
TOLERANCE METERS: $\pm .76$		CHECKED JL		DATE 08/03/17	
ANGLE PROJECTION $\angle = +0.30^\circ$		ENGR. JLAU		DATE 08/03/17	
DO NOT SCALE DRAWING		APPR. JL		DATE 08/03/17	
TITLE: Mega Three Phase Common Mode Choke		SIZE: DRKS. NO. B		MTP-603U-300A	
WWW.COILWS.COM		SCALE: N/A		REV: A1	
353 West Grove Ave Orange, California 92865		SHEET 10F		1	