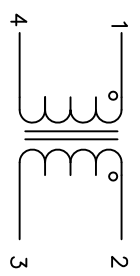


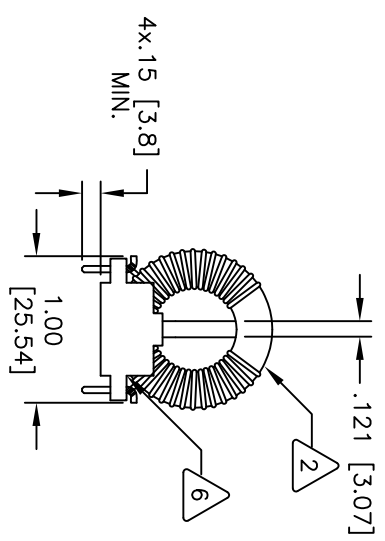
The information contained in this drawing is the sole property of CMS Coil Winding Specialist. Any reproduction in part or whole without written permission of CMS Coil Winding Specialist is prohibited.



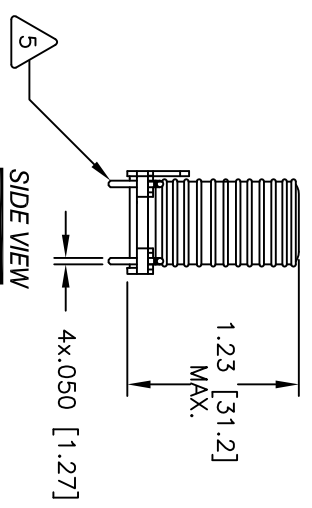
SCHEMATIC

REVISION HISTORY		SIGN & DATE				
REV	ECN	DESCRIPTION	BY	DATE	CHK	DATE
A		PRODUCTION RELEASE	TN	2/20/18	JL	2/20/18

- 7 BUILT TO ROHS COMPLIANCE AND LEAD FREE WHERE SHOWN
IF APPLICABLE, MARK PART NUMBER AND REVISION
- 6 APPLY EPOXY 2 PARTS
- 5 REMOVE INSULATION AND SOLDER TO BOBBIN LEADS
- 4 WIND BOTH COILS EVENLY SPACED CONSTRUCTION:

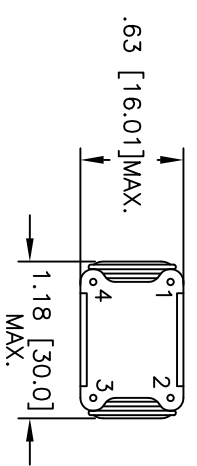


FRONT VIEW

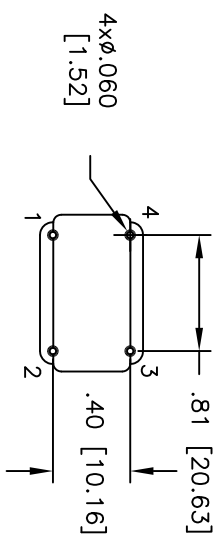


SIDE VIEW

- 3 SPECIFICATIONS @ 25°C:
WIRE: UL RECOGNIZED 155°C OR 200°C RATED MAGNET WIRE
CWS BYTEMARK OR OTHER APPROVED PART
CORE: COATED FERRITE TOROID, HIGH PERM MNZN
- 1 MATERIAL: UL RECOGNIZED 94V-0 FLAMMABILITY FOR BOBBIN
- 2 RATING CLASS B (130°C) REQUIRED



BOTTOM VIEW



MOUNTING HOLES PATTERN

CODE IDENT	MFG. P/N	DESCRIPTION	ITEM NO.
PARTS LIST			
AUTOCAD SOLIDWORKS	X	COWLS COM, INC WWW.COWLS.COM	CWS Coil Winding Specialist. 353 W GROVE AVENUE ORANGE, CA. 92865
UNLESS OTHERWISE SPECIFIED			
DIMENSIONING AND TOLERANCE PER ANSI Y14.5M AND [DIMENSIONS] IN INCHES	DATE	TITLE:	
	2/20/18	Common Mode Line Chokes	
	2/20/18	5.2mH MIN., 3.7 Amp	
TOLERANCE INCHES: .XXX=±.005 XX=±.015 X=±.030	ENGR. JM	SIZE DWG. NO.	REV
TOLERANCE METRICS: .XXX=±.127 XX=±.38 X=±.95	APPR. JL	B PM-12-502U-3.7A	A
ANGLE PROJECTION	2/20/18	SCALE	
DO NOT SCALE DRAWING		1=1	SHEET 1 OF 1