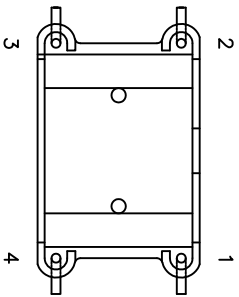
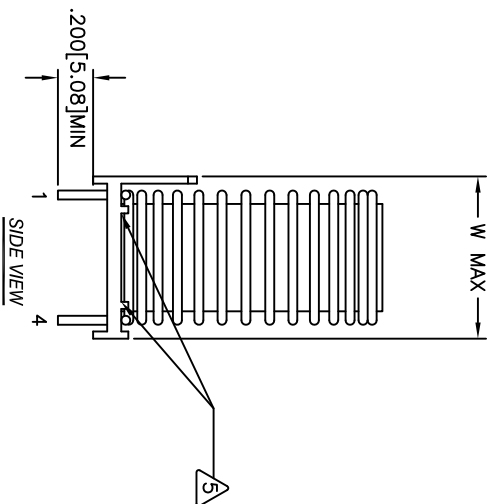
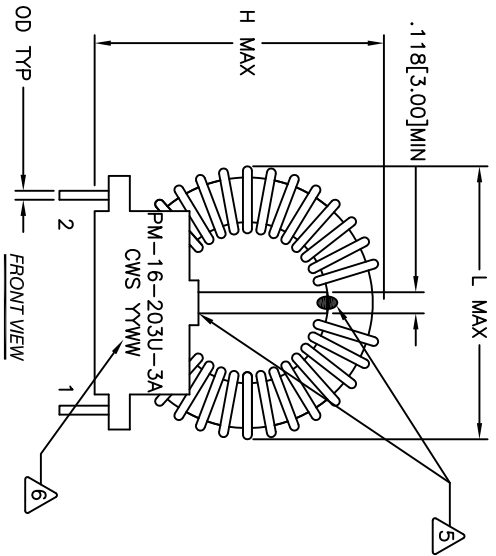


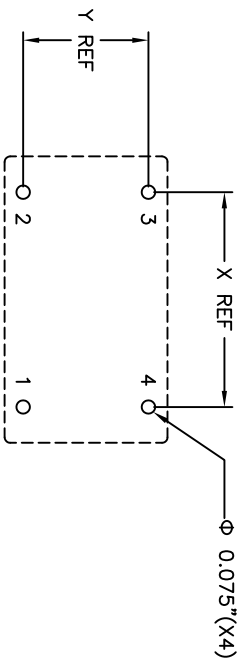
The information contained in this drawing is the sole property of CMS Coil Winding Specialist. Any reproduction in part or whole without written permission of CMS Coil Winding Specialist is prohibited.

MECHANICAL DIMENSION					
H	L	W	LEAD OD	X	Y
MAX	MAX	MAX	TYP	REF	REF
1.30	1.335	0.83	0.05	0.90	0.60
[33.02]	[33.78]	[21.08]	[1.27]	[22.86]	[15.24]

REVISION HISTORY					
REV	EON	DESCRIPTION	BY	DATE	CHK
A		PRODUCTION RELEASE	TN	2/9/18	AL



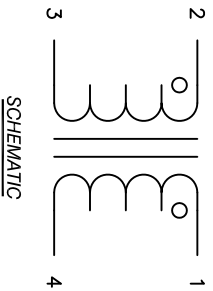
BOTTOM VIEW



MOUNTING HOLES PATTERN

- 7 BUILT TO ROHS COMPLIANCE AND LEAD FREE
- 6 MARK PART NUMBER, REVISION AND DATE CODE
- 5 ADD EPOXY WHERE SHOWN
- 4 OR INSERT THRU BASE
SOLDER LEADS ONTO THE BASE PIN PER DWG
REMOVE WIRE INSULATION
WIND COILS EVENLY SPACED
CONSTRUCTION:
- 3 WEIGHT: ~ 43 GRAMS (TYP)
OPERATING TEMP. RANGE: -40°C TO 95°C
HI-POT WINDING-TO-WINDING 1250 VAC 10 SEC
INTERWINDING CAPACITANCE 16pF TYPICAL
LEAKAGE INDUCTANCE 93uH TYPICAL
Z_L = 47KΩ TYP. @ SRF
SRF = 245KHz TYPICAL
RATED CURRENT = 3 AMPS RMS MAX
DCR = 121 MILLI-OHMS MAX PER WINDING
INDUCTANCE = 20mH MIN
SPECIFICATIONS @ 25°C, 10kHz, 250 mV
- 2 WIRE: UL RECOGNIZED 155°C RATED MAGNET WIRE
FR4 SPACER: 3.00 MM MINIMUM THICKNESS
HEADER: UL CERTIFIED TOROID BASE
CORE: HIGH PERM MANGANESE ZINC
- 1 RATING UL-CLASS B (130°) REQUIRED
MATERIAL: UL RECOGNIZED 94V-0 FLAMMABILITY FOR BOBBIN

NOTES: UNLESS OTHERWISE SPECIFIED, READ FROM BOTTOM UP.



SCHEMATIC

CODE	IDENT	MFG. P/N	DESCRIPTION	ITEM NO.
AUTOCAD	X		PARTS LIST	
SOLDWORKS				
DATE	2/9/18		COIL WS.COM, INC	
DATE	2/9/18		353 W. Grove Ave	
DATE	2/9/18		Orange, CA 92665	
DATE	2/9/18		TITLE:	
DATE	2/9/18		Common Mode Line Filter	
DATE	2/9/18		20.0 mH MIN., 3 Amp	
DATE	2/9/18		SIZE (mm IN)	
DATE	2/9/18		PM-16-203U-3A	REV A
SCALE	B			
SCALE	2=1			