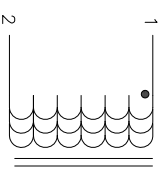


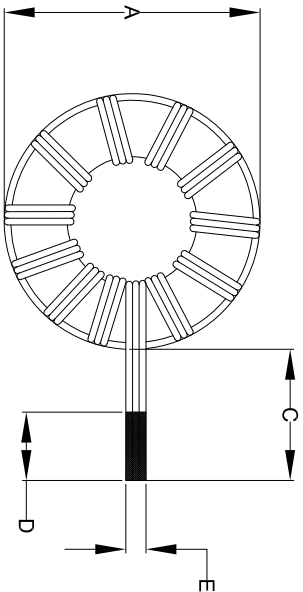
The information contained in this drawing is the sole property of Coil Winding Specialist Inc. (CWS). Any reproduction in part or whole without written permission of CWS Coil Winding Specialist is prohibited.

DIMENSIONAL TOLERANCE INCHES (MM)					
A	B	C	D (LEAD)	E (Ø DIM)	P1
Max	Max	Min	Typ	Typ	Ref
2.756 [70.00]	1.620 [41.15]	1.500 [38.10]	0.75 [19.05]	.098x.305 [2.5x7.75]	1.45 [36.83]

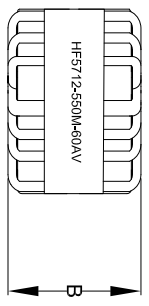
REVISION HISTORY			
REV	ECN	DESCRIPTION	DATE
A		PRODUCTION RELEASE	09/28/18



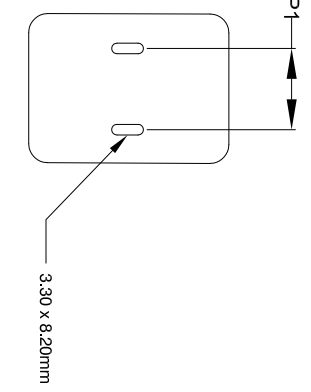
SCHEMATIC



TOP VIEW



FRONT VIEW



MOUNTING HOLE PATTERN (TOP VIEW)

DC BIAS	INDUCTANCE (TYP)
0 Amp	57 uH
5 Amp	56 uH
10 Amp	55 uH
15 Amp	55 uH
20 Amp	54 uH
25 Amp	53 uH
30 Amp	53 uH
35 Amp	50 uH
40 Amp	48 uH
45 Amp	47 uH
50 Amp	45 uH
55 Amp	43 uH
60 Amp	41 uH

DC BIAS TABLE

- BUILT TO ROHS COMPLIANCE.
- IF APPLICABLE, LABEL PART NUMBER AND REVISION
- POSITION LEADS AS REQUIRED
REMOVE WIRE INSULATION AND TIN
WIND COILS EVENLY SPACED
- CONSTRUCTION:
- WEIGHT: 590 GRAMS TYP
- HI-POT WINDING-TO-CORE 1250 V AC, 10 SEC
INTERWINDING CAPACITANCE = 23pF TYP @ SRF
|Z| = 3.20 KILLO-OHMS TYP @ SRF
DCR = 2.5mΩ MAX
SRF = 4.6MHz TYPICAL
MAX TEMP. RISE @ IDC 60 AMP, LESS THAN 60°C WITH NO AIRFLOW
INDUCTOR DC BIAS: SEE TABLE ON THE RIGHT
INDUCTANCE @ 0 AMP = 57.4uH±15% (LESS THAN 10% RIPPLE)
TEST FREQUENCY: 1.0 KHz ; TEST VOLTAGE: 250mV; 0ADC
RATED MAX. CURRENT = 60 AMPS RMS ; FREQUENCY: 1KHz
OPERATING TEMPERATURE RANGE : -40° TO 180°C
SPECIFICATIONS @ 25°C:
- WIRE: UL RATED CLASS 200°C
CORE: HIGH TEMP POWDERED CORE
- RATING UL-CLASS H (180°C) REQUIRED
MATERIAL: UL RECOGNIZED FLAMMABILITY

NOTES: UNLESS OTHERWISE SPECIFIED, READ NOTES FROM BOTTOM TO UP.

CAGE CODE: 5DME2

AUTOCAD SOLIDWORKS		UNLESS OTHERWISE SPECIFIED	
DRAWN	TN	DATE	09/28/18
CHECKED	JM	DATE	09/28/18
ENGR.	JL	DATE	09/28/18
APPR.	JL	DATE	09/28/18

www.coilws.com
sales@coilws.com
CWS Coil Winding Specialist
353 West Grove Ave
Orange, California, 92665 (CAGE 5DME2)

TITLE:
POWER INDUCTOR
50uH, 60Amp, Vertical Mount

SIZE DWG. NO. **HF5712-550M-60AV**

SCALE	N/A	SHEET	1	OF	1
-------	-----	-------	---	----	---