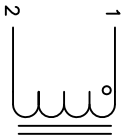


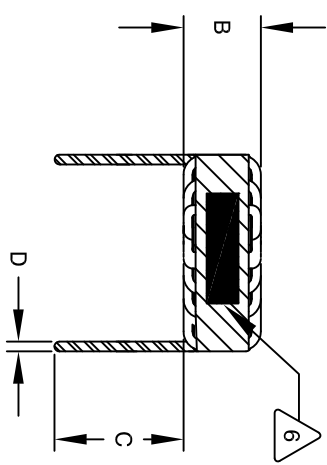
The information contained in this drawing is the sole property of CWS Coil Winding Specialist. Any reproduction in part or whole without written permission of CWS Coil Winding Specialist is prohibited.

DIMENSIONAL TOLERANCES INCHES [MM]				
A	B	C	D	P
MAX	MAX	MIN	TYP	REF
1.95 [49.53]	0.90 [22.86]	.75 [19.05]	.06 [1.45]	1.74 [44.20]

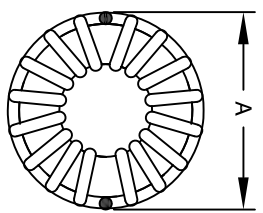
REV		ECN	DESCRIPTION	SIGN & DATE			
BY	DATE	CHK	DATE	DATE	DATE	DATE	
A			PRODUCTION RELEASE	TN	01/08/19	JL	01/08/19
A1			REVISED SPEC. ON A & B DIMENSIONS	TN	02/21/19	JL	02/21/19



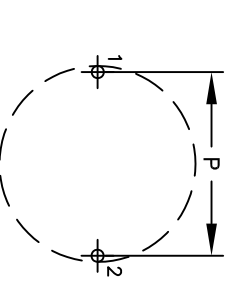
SCHEMATIC



FRONT VIEW



BOTTOM VIEW



MOUNTING HOLES PATTERN

DC BIAS	L @ 100KHz (TYPICAL)
0A	675 uH
5A	356 uH
8A	220 uH
10A	140 uH

DC BIAS TABLE

- 7 BUILT TO ROHS COMPLIANCE AND LEAD FREE
- 6 LABEL PART NUMBER, REVISION AND DATE CODE
- POSITION LEADS AS REQUIRED
REMOVE WIRE INSULATION AND TIN
WIND COILS EVENLY SPACED
CONSTRUCTION:
- 5 WEIGHT: 116 GRAMS TYP
- 4 OPERATING TEMPERATURE RANGE : -40°C TO 180°C
INTERWINDING CAPACITANCE = 60pF TYPICAL @ SRF
|Z| = 54 KILO-OHMS TYP @ SRF
DCR = 40 MILLI-OHMS MAX
SRF = 795KHz TYPICAL
DC CORE LOSS = 0.9 WATT
AC CORE LOSS @ 4.5A PEAK TO PEAK RIPPLE CURRENT = 4.1 WATTS
DC BIAS: SEE TABLE ON THE RIGHT
MAX TEMP: RISE @ IDC 8 AMP, LESS THAN 25°C WITH SOME AIRFLOW
INDUCTOR RATED MAX. CURRENT = 8 AMPS RMS ; FREQUENCY: 100KHz
TEST FREQUENCY: 100 KHz ; TEST VOLTAGE: 250mV
INDUCANCE @ 0 AMP = 650uH±15%
SPECIFICATIONS @ 25°C:
- 3 WIRE: UL RATED CLASS 200°C
CORE: HIGH TEMP POWDERED CORE
- 2 RATING UL-CLASS H (180°C) REQUIRED
MATERIAL: UL RECOGNIZED FLAMMABILITY
- 1 NOTES: UNLESS OTHERWISE SPECIFIED, READ NOTES FROM BOTTOM TO UP.
CAGE CODE: 5DME2

UNLESS OTHERWISE SPECIFIED
DIMENSIONING AND TOLERANCE PER ANSI Y14.5M AND [MILLIMETERS].
TOLERANCE INCHES: ϕ = ±0.30
TOLERANCE METRICS: ϕ = ±0.30
XXX = ±.005 XX = ±.015 X = ±.030
XXX = ±.127 XX = ±.25 X = ±.38
ANGLE PROJECTION ϕ
DO NOT SCALE DRAWING

CODE IDENT	MFG. P/N	DESCRIPTION	ITEM NO.
		PARTS LIST	
AUTOCAD SOLIDWORKS	X		
DRAWN TN	02/05/19		
CHECKED JM	02/05/19		
ENGR. JL	02/05/19		
APPR. JL	02/05/19		
SIZE Dwg. No.	B		
SCALE	2=1		

COILWS.COM, INC
www.coilws.com
CWS Coil Winding Specialist
353 WEST GROVE
ORANGE, CA 92865

TITLE:
Toroidal Power Inductor
650 uH, 8 Amp, Horizontal

CWS-1SN-12877

REV	DATE	BY	DESCRIPTION
A1		JL	