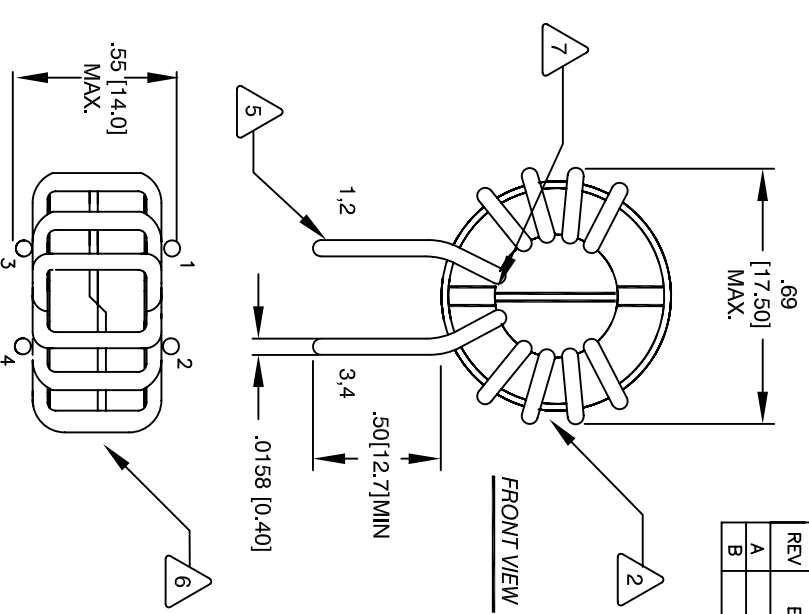


The information contained in this drawing is the sole property of Coil Winding Specialist, Inc. Any reproduction in part or whole without written permission of Coil Winding Specialist is prohibited.

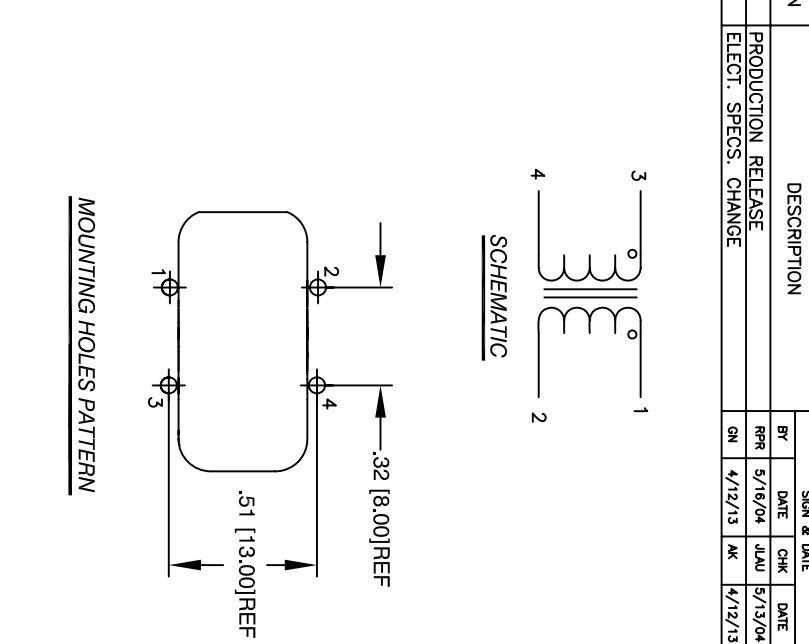
REVISION HISTORY

REV	ECN	DESCRIPTION	BY	DATE	CHK	DATE
A		PRODUCTION RELEASE	RJR	5/16/04	JLJU	5/13/04
B		ELECT. SPECS. CHANGE	GN	4/12/13	AK	4/12/13

- 7 ADD EPOXY TO HOLD THE WIRE ON BOTH SIDES WHERE SHOWN
- 6 IF APPLICABLE, MARK PART NUMBER
- 5 FLUSH WITH THE COIL EDGE, AS SHOWN REMOVE INSULATION AND TIN LEADS
- 4 WIND ON EACH SIDE TO CORE AND EVENLY SPACED CONSTRUCTION:  
WEIGHT = 5.5 GRAMS  
SRF = 400 KHZ TYP  
IMPEDANCE = 7.2 KIL-OHMS TYP @ 400 KHZ  
INTERWINDING CAPACITANCE = 26.5 pF @10 KHZ  
LEAKAGE INDUCTANCE = 22 uH @10 KHZ, 1Vrms  
TEMP RANGE = -25 °C TO 105°C  
MAX TEMP RISE = 40 °C  
TEST VOLTAGE = 2000 VAC, 1 MIN.  
DCR = 150 MILLI-OHMS EACH LINE MAX.  
RATED VOLTAGE = 250 V AC OR DC  
RATED CURRENT = 1 AMPS  
L = 5.0 mH MIN., 10 KHZ, 0.250 Vrms, 0 ADC  
INSULATION RESISTANCE = 100 MEGA-OHMS MIN. @ 500 VDC
- 3 SPECIFICATIONS AT 25°C:



FRONT VIEW



SCHEMATIC

MOUNTING HOLES PATTERN

- 2 WIRE: UL RECOGNIZED 155°C RATED MAGNET WIRE  
CWS BYTE-MARK OR OTHER APPROVED PART  
CORE: FERRITE TOROID, HIGH PERM MNZN
- 1 BOBBIN RATING CLASS B (130 °C) REQUIRED  
MATERIAL: UL RECOGNIZED 94V-0 FOR FLAMMABILITY

NOTES: UNLESS OTHERWISE SPECIFIED, COMMON MODE CHOKE.

UNLESS OTHERWISE SPECIFIED	
DIMENSIONING AND TOLERANCE PER ANSI Y14.5M AND [MILLIMETERS]	DRWN: RRR DATE: 5/16/04
TOLERANCE INCHES: XXX=±.005 XX=±.015 X=±.030	ENGR: KSUM DATE: 5/16/04
TOLERANCE METRICS: XXX=±.127 XX=±.38 X=±.98	APPR: JLJU DATE: 5/16/04
ANGLE PROJECTION	DO NOT SCALE DRAWING

QTY	CODE IDENT	MFG. P/N	DESCRIPTION	ITEM NO.
			<b>PARTS LIST</b>	
	AUTOCAD SOLIDWORKS			
	DRWN: RRR	5/16/04		
	ENGR: KSUM	5/16/04		
	APPR: JLJU	5/16/04		
TITLE:		Small Common Mode Chokes		
Vertical Mount S Series		S-01-50G		
SIZE	DMG. NO.	SCALE		REV
B		2=1		B
SHEET 1 OF 1				

sales@coilws.com  
www.coilws.com  
Coil Winding Specialist, Inc.  
353 W. Grove Ave.,  
Orange, CA 92865