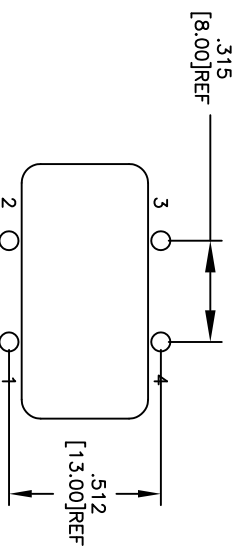
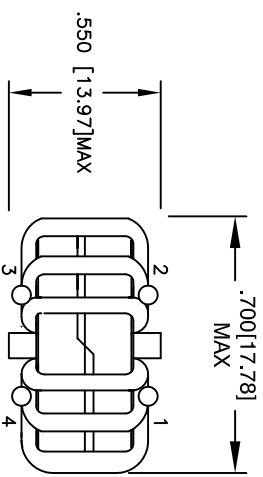
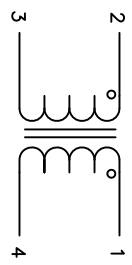
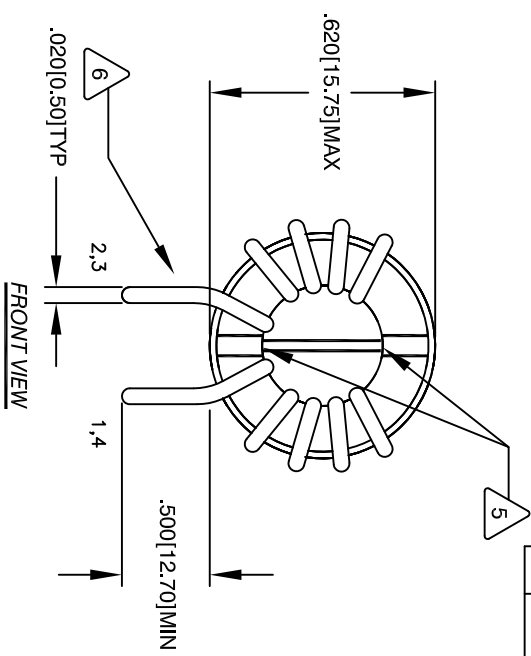


The information contained in this drawing is the sole property of CWS Coil Winding Specialist. Any reproduction in part or whole without written permission of CWS Coil Winding Specialist is prohibited.

REVISION HISTORY		SIGN & DATE	
REV	ECN	DESCRIPTION	DATE
A		PRODUCTION RELEASE	5/16/04
B		CORRECTION ON REV B AND CORRECT DIMENSIONAL	9/20/10
C		REMOVED NOTE 7 AND PART PHOTO	12/09/19



FRONT VIEW

SCHEMATIC

BOTTOM VIEW

MOUNTING HOLES PATTERN

7 BUILD TO ROHS COMPLIANCE

6 TO THE CASE
MUST REST FLAT ON PCB. LEADS MUST BE TANGENT
FLUSH WITH THE CASE EDGE, AS SHOWN (I.E. COIL
REMOVE INSULATION AND TIN LEADS APPROX. 0.5 INCH

5 APPLY EPOXY WHERE SHOWN
WIND BOTH COILS EVENLY SPACED
CONSTRUCTION:

4 WEIGHT: ~ 6.0 GRAM
1250 Vrms ISOLATION BETWEEN WINDING
INTER-WINDING CAPACITANCE = 20 pF TYPICAL
LEAKAGE INDUCTANCE = 4 uH TYPICAL
CURRENT RATING = 2.0 AMPS
DCR ON EACH WINDING = 50 MILLI-OHMS MAX
L = 0.60 mH MINIMUM, 10 KHZ, 250 mV
SPECIFICATIONS:

3 WIRE: UL RECOGNIZED 155 °C OR ABOVE RATED MAGNET WIRE
CWS BYTEMARK OR OTHER APPROVED PART
CORE: HIGH PERM MNZN FERRITE TOROID

2 RATING CLASS B (130 °C MIN.) REQUIRED
MATERIAL: UL RECOGNIZED 94V-0 FOR FLAMMABILITY

NOTES: UNLESS OTHERWISE SPECIFIED, READ FROM BOTTOM UP.

CODE IDENT	MFG. P/N	DESCRIPTION	ITEM NO.
PARTS LIST			
AUTOCAD SIGN	X	CWS Coil Winding Specialist.	
SOLIDWORKS SIGN		353 W Grove Ave	
		Orange, CA 92865	
UNLESS OTHERWISE SPECIFIED			
DIMENSIONING AND TOLERANCE PER ANSI Y14.5M AND [UNITS/INCHES]			
TOLERANCE INCHES: .XXX=±.005 .XX=±.015 .XX=±.030			
TOLERANCE METRICS: .XXX=±.127 .XX=±.38			
ANGLE PROJECTION			
DO NOT SCALE DRAWING			
DRWN	5/16/04	TITLE:	
ENGR	5/16/04	Common Mode Line Filter	
APPR	5/16/04	0.6 mH Min, 2 Amp, Vertical Mount	
		SIZE [DWG. NO.]	REV
		B	C
		SCALE	SHEET
		2=1	1 OF 1