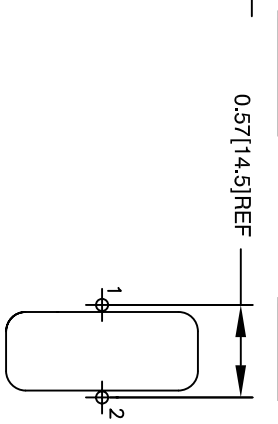
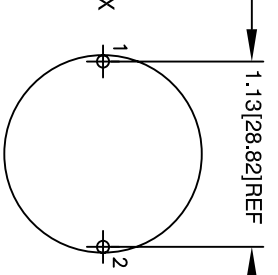
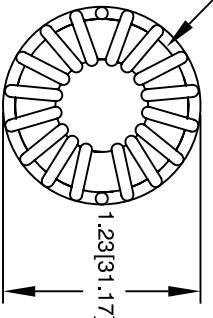
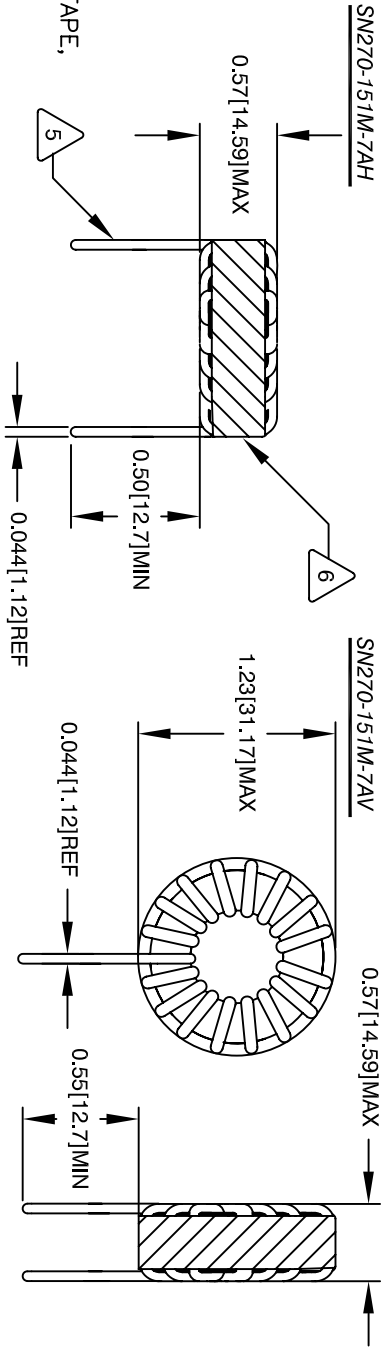
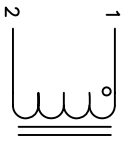


The information contained in this drawing is the sole property of CMS Coil Winding Specialist. Any reproduction in part or whole without written permission of CMS Coil Winding Specialist is prohibited.

REVISION HISTORY			
REV	ECN	DESCRIPTION	SIGN & DATE
A		PRODUCTION RELEASE	JLL 3/24/11

DC BIAS @10KHZ	0A	150 uH
	2A	135 uH
	5A	95.7 uH
	7A	74.5 uH
	11A	47.7 uH
	13A	38.1 uH
	16A	28.3 uH



3 WIRE: UL RECOGNIZED 155°C RATED MAGNET WIRE
 CWS BYTEMARK (www.cwsbytemark.com) OR APPROVED VENDOR
 CORE: COATED SENDUST/KOOLMU TOROIDAL CORE

2 RATING CLASS B (130°C MIN.) REQUIRED
 MATERIAL: UL RECOGNIZED 94V-0 FOR FLAMMABILITY

1 READ TEXT FROM BOTTOM UP
 NOTES: TOROIDAL POWER CHOKE. ALL DIMENSIONS IN INCHES [MM]

CODE IDENT	MFG. P/N	DESCRIPTION	ITEM NO.
PARTS LIST			
AUTOCAD	X		
SOLIDWORKS			
SIGN	DATE	sales@coilws.com 353 W Grove Ave Orange, CA 92665	
DRWNN	10/6/08	Toroidal Power Inductor 150 uH, 7 Amp SN270-151M-7A	
CHKD	10/6/08		
ENGR	10/6/08		
APPR	04/28/11		
SIZE	DMG. NO.		REV
B			A
SCALE	NOT TO SCALE	SHEET	1 OF 1