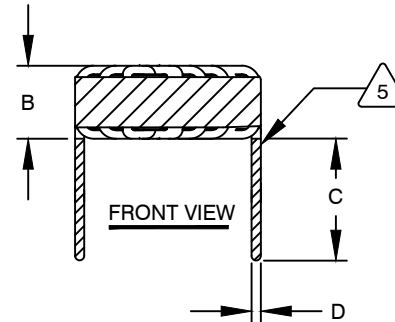


The information contained in this drawing is the sole property of CWS Coil Winding Specialist. Any reproduction in part or whole without written permission of CWS Coil Winding Specialist is prohibited.



DIMENSIONAL TOLERANCES INCHES [MM]				
A MAX	B MAX	C MIN	D REF	X REF
1.26 [32.00]	0.60 [15.24]	0.50 [12.70]	0.05 [1.45]	1.21 [30.73]

REVISION HISTORY						
REV	ECN	DESCRIPTION	SIGN & DATE			
			BY	DATE	CHK	DATE
A	-	INITIAL RELEASE	JLL	05/04/2011		
A1	-	UPDATED SPECS.	JZ	01/22/2021	JL	01/22/2021



**DC BIAS TABLE**

DC BIAS (AMP)	L @ 1.0 KHz
0	171.8uH
2	146.1uH
4	117.2uH
6	90.0uH
8	69.13uH
10	53.69uH

7 BUILD TO RoHS COMPLIANCE AND LEAD FREE.

USING A PERMANENT MARKING METHOD  
 MARK PART NUMBER AND REVISION, IF APPLICABLE  
 WRAP INDUCTOR WITH 3M # 79 OR EQUAL



(I.E. COIL MUST REST FLAT ON PCB). LEADS MUST BE TANGENT TO THE CORE  
 REMOVE INSULATION AND TIN LEADS 0.50 INCH, FLUSH WITH THE COIL EDGE, AS SHOWN



WIND COILS EVENLY SPACED AROUND THE CORE  
 CONSTRUCTION:

THESE SPECIFICATIONS ARE BASED ON LOW RIPPLE CURRENT  
 WEIGHT: 46 GRAMS TYPICAL  
 INTERWINDING CAPACITANCE = 20.83 pF TYP @ SRF  
 SRF = 2.55 MHz TYPICAL  
 |Z| = 16.68 KILO-OHMS TYP @ SRF  
 RECOMMENDED AMBIENT OPERATING TEMP: -40 °C TO 200°C  
 HI-POT TEST FOR WINDING TO CORE ISOLATION = 500 VDC 10 SEC  
 CURRENT RATING : 8.0 AMPS, 40 °C TEMP. RISE WITH SOME AIR FLOW  
 DCR = 15.6 MILLI-OHMS MAX.  
 INDUCTOR DC BIAS: SEE TABLE ON THE RIGHT

3 SPECIFICATIONS @ 25°C :



WIRE: UL RECOGNIZED 200°C RATED MAGNET WIRE  
 CORE: POWDERED TOROIDAL CORE, CWS BYTEMARK OR OTHER APPROVED PART

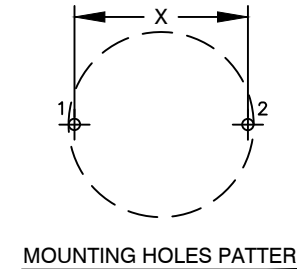
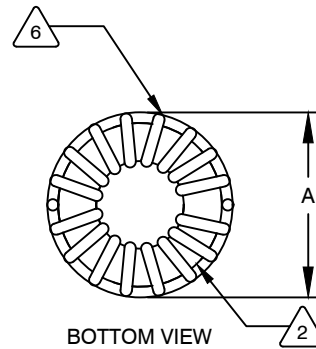
1 MATERIAL: UL RECOGNIZED 94V-0 FOR FLAMMABILITY, RATING CLASS H (180°C MIN.) REQUIRED

ANY TOLERANCE. THIS DIM. CAN VARY A LITTLE FROM PART TO PART.

"TYP" IN DIM. TOL. TABLE REFERS TO A NON-CRITICAL TYPICAL (AVERAGE) DIM. WITHOUT

NOTES: UNLESS OTHERWISE STATED, READ NOTES FROM BOTTOM UP.

CAGE CODE: 5DME2



UNLESS OTHERWISE SPECIFIED  
 DIMENSIONING AND TOLERANCE PER ANSI Y14.5M  
 ALL DIMENSIONS ARE IN INCHES AND [MILLIMETERS].  
 TOLERANCE INCHES:  
 .XXX±.005 .XX±.015 <math>\angle = \pm 0^{\circ}30'</math>  
 TOLERANCE METRICS:  
 .XXX±.127 .XX±.38 <math>\angle = \pm 0^{\circ}30'</math>  
 ANGLE PROJECTION  
 DO NOT SCALE DRAWING

CODE IDENT	MFG. P/N	DESCRIPTION	ITEM NO.
<b>PARTS LIST</b>			
AUTOCAD	X		
SOLIDWORKS			
SIGN	DATE	<b>COILWS COM, INC</b> www.coilws.com CWS Coil Winding Specialist. 353 W Grove Ave Orange, CA. 92865	
DRAWN			
CHECKED		<b>TITLE:</b> TOROIDAL POWER INDUCTOR 170 uH, 8.0 Amps, Horizontal	
ENGR.			
APPR.		SIZE	DWG. NO.
		B	SN270-171M-8.0AH
		SCALE	REV
		2=1	A1
			SHEET 1 OF 1