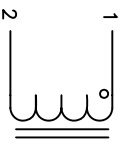


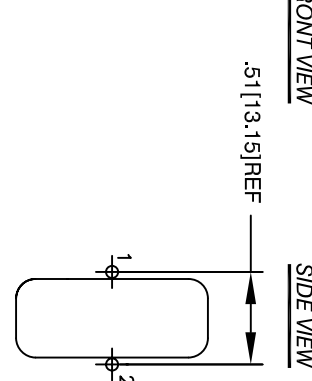
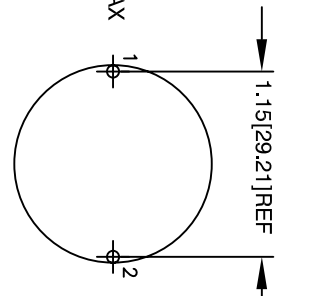
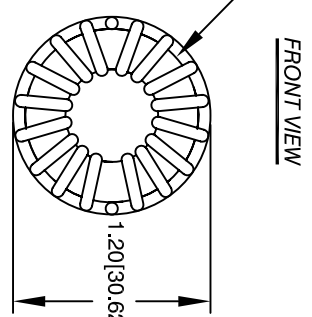
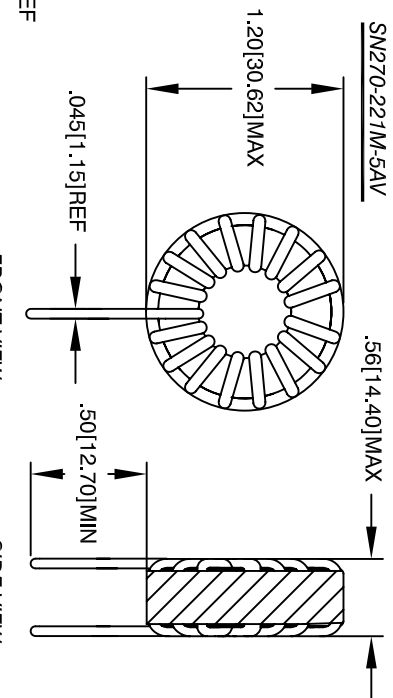
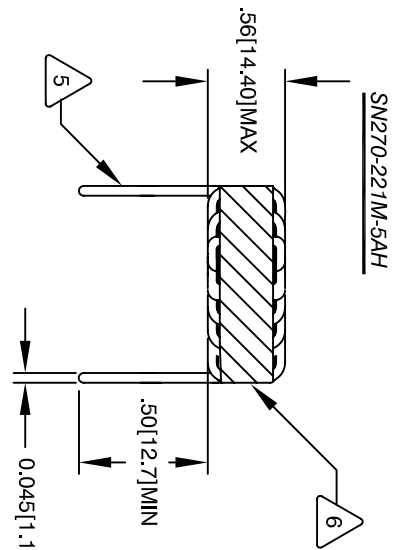
The information contained in this drawing is the sole property of Coil Winding Specialist, Inc. Any reproduction in part or whole without written permission of Coil Winding Specialist, Inc. is prohibited.

REVISION HISTORY				SIGN & DATE		
REV	ECN	DESCRIPTION	BR	DATE	CHK	DATE
A		PRODUCTION RELEASE	JLL	3/24/11		
B		ELECT. AND MECHAN. SPEC. CHANGE	GN	9/2/12	JL	9/5/12



DC BIAS @10KHZ	
0A	220 uH
1A	208 uH
2A	185 uH
3A	163 uH
4A	139 uH
5A	120 uH

SCHEMATIC



BOTTOM VIEW

MOUNTING HOLES PATTERN

MOUNTING HOLES PATTERN



1 WIRE: UL RECOGNIZED 155°C RATED MAGNET WIRE  
CWS BYTEMARK (www.cwsbytemark.com) OR APPROVED VENDOR  
CORE: COATED SENDUST/KOOLMU TOROIDAL CORE



2 RATING CLASS B (130°C MIN.) REQUIRED  
MATERIAL: UL RECOGNIZED 94V-0 FOR FLAMMABILITY

3 READ TEXT FROM BOTTOM UP  
NOTES: TOROIDAL POWER CHOKE. ALL DIMENSIONS IN INCHES [MM]

CODE IDENT	MFG. P/N	DESCRIPTION	ITEM NO.
<b>PARTS LIST</b>			
AUTOCAD	X		
SOLIDWORKS			
SIGN	DATE		
DRWNN	KLC	10/6/08	
CHKDD	CT	10/6/08	
ENGR	KLC	10/6/08	
APPR	KLC	10/6/08	
SIZE	DWG. NO.	SN270-221M-5A	REV B
SCALE		2=1	SHEET 1 OF 1

UNLESS OTHERWISE SPECIFIED  
DIMENSIONING AND TOLERANCE PER ANSI Y14.5M AND [MILLIMETERS].  
TOLERANCE INCHES: .005 .015 .030 .050 .100 .150 .250 .500 .750 1.000  
TOLERANCE METRICS: .005 .015 .030 .050 .100 .150 .250 .500 .750 1.000  
ANGLE PROJECTION: FIRST ANGLE  
DO NOT SCALE DRAWING

sales@coilws.com  
www.coilws.com  
Coil Winding Specialist, Inc.  
353 W Grove Ave  
Orange, CA 92665

TITLE:  
Toroidal Power Inductor  
220 uH, 5 Amp