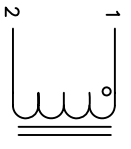


The information contained in this drawing is the sole property of CMS Coil Winding Specialist. Any reproduction in part or whole without written permission of CMS Coil Winding Specialist is prohibited.

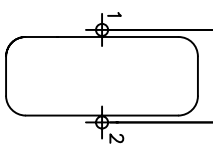
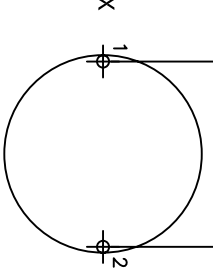
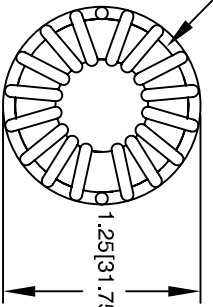
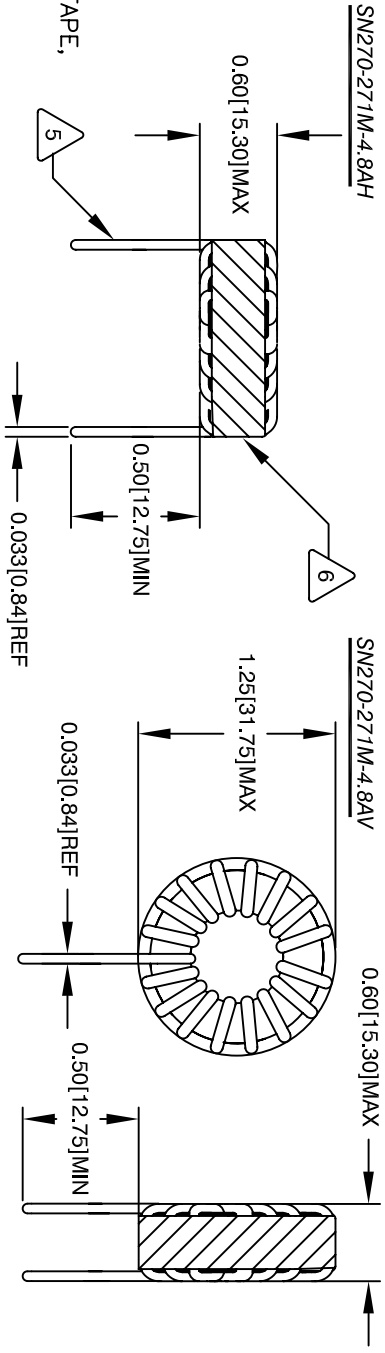
REVISION HISTORY			SIGN & DATE		
REV	ECN	DESCRIPTION	BY	DATE	CHK
A		PRODUCTION RELEASE	JLL	9/3/11	

DC BIAS @10KHZ	0A	2A	5A	7A	9A	12A	15A
270 UH	222 UH	138 UH	100 UH	74.7 UH	50.6 UH	36.6 UH	



SCHMATIC

0A	270 UH
2A	222 UH
5A	138 UH
7A	100 UH
9A	74.7 UH
12A	50.6 UH
15A	36.6 UH



MOUNTING HOLES PATTERN

MOUNTING HOLES PATTERN

MOUNTING HOLES PATTERN

- WIRE: UL RECOGNIZED 155°C RATED MAGNET WIRE
CWS BYTEMARK (www.cwsbytemark.com) OR APPROVED VENDOR
CORE: COATED SENDUST/KOOLMU TOROIDAL CORE
- RATING CLASS B (130°C MIN.) REQUIRED
MATERIAL: UL RECOGNIZED 94V-0 FOR FLAMMABILITY
- READ TEXT FROM BOTTOM UP
NOTES: TOROIDAL POWER CHOKE. ALL DIMENSIONS IN INCHES [MM]

UNLESS OTHERWISE SPECIFIED	
DIMENSIONING AND TOLERANCE PER ANSI Y14.5M AND [MILLIMETERS]	DRWN: KLC
TOLERANCE INCHES: .XXX=±.005 XX=±.015 X=±.030	ENGR: KLC
TOLERANCE METRICS: .XXX=±.127 XX=±.38 X=±.95	APPR: JLAU
ANGLE PROJECTION	DATE: 10/6/08
DO NOT SCALE DRAWING	DATE: 5/3/11

CODE IDENT	MFG. P/N	DESCRIPTION	ITEM NO.
PARTS LIST			
AUTOCAD	X		
SOLIDWORKS			
SIGN	DATE		
DRWN: KLC	10/6/08		
ENGR: KLC	10/6/08		
APPR: JLAU	5/3/11		
TITLE:		Toroidal Power Inductor	
SIZE	DWG. NO.	REV	
B	SN270-271M-4.8A	A	
SCALE	NOT TO SCALE	SHEET	1 OF 1