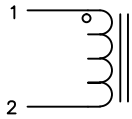


The information contained in this drawing is the sole property of CWS Coil Winding Specialist. Any reproduction in part or whole without written permission of CWS Coil Winding Specialist is prohibited.



SCHEMATIC

| DC BIAS<br>@10KHz |        |
|-------------------|--------|
| 0A                | 2.6 uH |
| 5A                | 2.5 uH |
| 10A               | 2.4 uH |
| 15A               | 2.3 uH |
| 20A               | 2.1 uH |
| 25A               | 2.0 uH |
| 29A               | 1.9 uH |

7 BUILD TO ROHS COMPLIANCE AND PB FREE

6 MARK PART NO. AND REV. IF NEEDED, WRAP INDUCTOR WITH ACRYLIC TAPE,

5 LEADS MUST BE TANGENT TO THE CORE FLUSH WITH THE COIL EDGE, REMOVE INSULATION AND TIN LEADS 0.5 INCH

4 WIND COILS EVENLY SPACED AROUND THE CORE CONSTRUCTION:

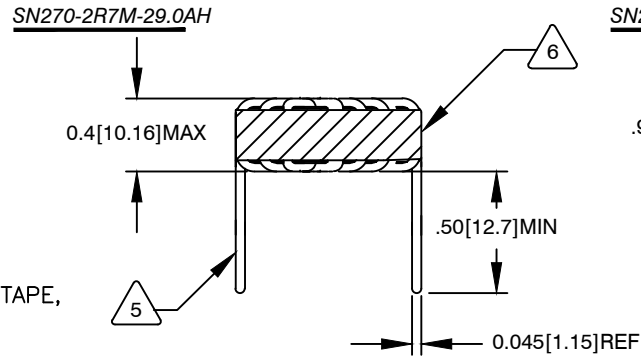
WEIGHT: 32.5 GRAMS (TYP)  
 HI-POT : WINDING TO CORE ISOLATION = 500VDC MIN  
 NO AIR FLOW  
 CURRENT RATING : 20.8 AMPS, 40 °C TEMP. RISE,  
 DCR : 0.97 MILLI-OHMS MAX.  
 SELF RESONANCE FREQUENCY : 36 MHz (TYP)  
 INTERWINDING CAPACITANCE @ 10KHz : 7.5pF (TYP)  
 INDUCTANCE WITH DC BIAS : PLEASE SEE TABLE ABOVE  
 INDUCTANCE = 2.7 uH ±15% @ LOW DC BIAS, 10KHz, 250mV  
 SPECIFICATIONS:

3 WIRE: UL RECOGNIZED 155°C RATED MAGNET WIRE  
 CWS BYTEMARK (www.cwsbytemark.com) OR APPROVED VENDOR  
 CORE: COATED SENDUST/KOOLMU TOROIDAL CORE

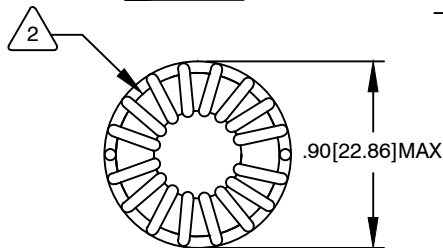
2 RATING CLASS B (130°C MIN.) REQUIRED  
 1 MATERIAL: UL RECOGNIZED 94V-0 FOR FLAMMABILITY

READ TEXT FROM BOTTOM UP

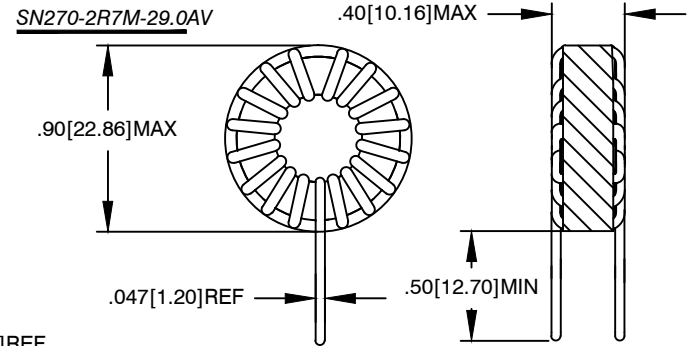
NOTES: TOROIDAL POWER CHOKE. ALL DIMENSIONS IN INCHES [MM]



FRONT VIEW

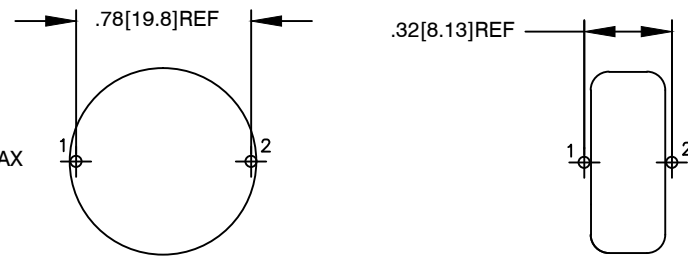


BOTTOM VIEW



FRONT VIEW

SIDE VIEW



MOUNTING HOLES PATTERN

MOUNTING HOLES PATTERN

| REVISION HISTORY |     |                    |             |         |     |      |
|------------------|-----|--------------------|-------------|---------|-----|------|
| REV              | ECN | DESCRIPTION        | SIGN & DATE |         |     |      |
|                  |     |                    | BY          | DATE    | CHK | DATE |
| A                |     | PRODUCTION RELEASE | JLL         | 3/24/11 |     |      |

| CODE IDENT        | MFG. P/N | DESCRIPTION                              | ITEM NO.  |
|-------------------|----------|--|---|
| <b>PARTS LIST</b> |          |  |   |
| AUTOCAD           | X        | <b>COILWS COM, INC</b><br>www.coilws.com | CWS Coil Winding Specialist.<br>353 W Grove Ave<br>Orange, CA 92865 |
| SOLIDWORKS        |          |  |   |
| DRAWN             | KLC      | 10/6/08                                  | TITLE:<br><b>Toroidal Power Inductor</b><br>2.7 uH, 29 Amp          |
| CHECKED           | CT       | 10/6/08                                  |   |
| ENGR.             | KLC      | 10/6/08                                  |   |
| APPR.             | KLC      | 10/6/08                                  |   |
| SIZE              |          | DWG. NO.                                 | REV   |
| B                 |          | SN270-2R7M-29.0A                         | A   |
| SCALE             |          | 2=1                                      | SHEET 1 OF 1  |

UNLESS OTHERWISE SPECIFIED  
 DIMENSIONING AND TOLERANCE PER ANSI Y14.5M  
 ALL DIMENSIONS ARE IN INCHES AND [MILLIMETERS].  
 TOLERANCE INCHES:  
 .XXX=±.005 .XX=±.015 <math>\angle</math>=±0°30'  
 TOLERANCE METRICS:  
 .XXX=±.127 .XX=±.38 <math>\angle</math>=±0°30'  
 ANGLE PROJECTION  
 DO NOT SCALE DRAWING