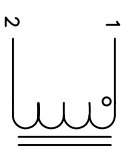


The information contained in this drawing is the sole property of CMS Coil Winding Specialist. Any reproduction in part or whole without written permission of CMS Coil Winding Specialist is prohibited.

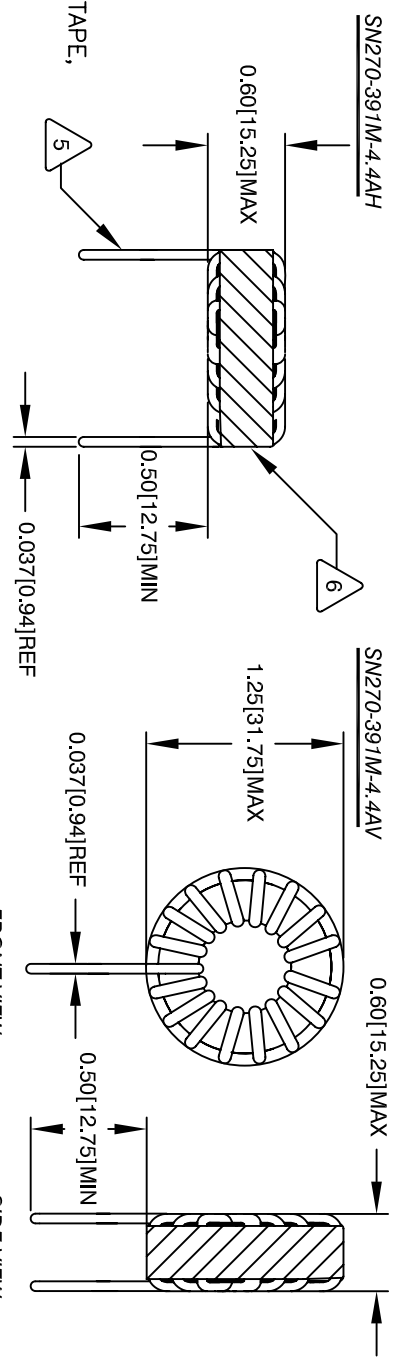
REVISION HISTORY

REV	ECN	DESCRIPTION	SIGN & DATE		
A		PRODUCTION RELEASE	BY	DATE	CHK
			JLL	5/4/11	

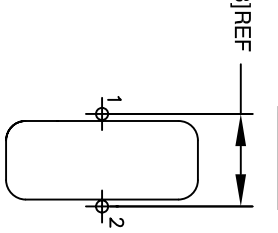
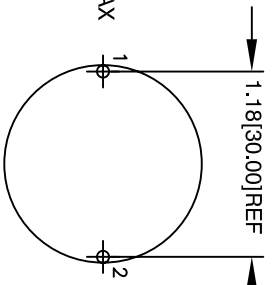
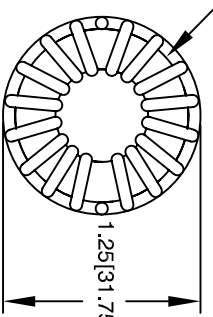


DC BIAS @10KHZ	0A	2A	4A	6A	8A	10A
390 UH	316 UH	211 UH	142 UH	99.3 UH	73.1 UH	

SCHEMATIC



- 1 BUILD TO ROHS COMPLIANCE AND PB FREE
- 2 MARK PART NO. AND REV. IF NEEDED, WRAP INDUCTOR WITH ACRYLIC TAPE,
- 3 LEADS MUST BE TANGENT TO THE CORE FLUSH WITH THE COIL EDGE, REMOVE INSULATION AND TIN LEADS 0.5 INCH
- 4 WIND COILS EVENLY SPACED AROUND THE CORE CONSTRUCTION:
- 5 WEIGHT: 39 GRAMS (TYP)  
HI-POT : WINDING TO CORE ISOLATION = 500VDC MIN  
NO AIR FLOW  
CURRENT RATING : 4.4 AMPS, 40 °C TEMP. RISE,  
DCR : 54.6 MILLI-OHMS TYP.  
SELF RESONANCE FREQUENCY : 6.4 MHZ (TYP)  
INTERWINDING CAPACITANCE @ 10KHZ : 46.00pF (TYP)  
INDUCTANCE WITH DC BIAS : PLEASE SEE TABLE ABOVE  
INDUCTANCE = 390 uH ±15% @ LOW DC BIAS, 10KHZ, 250mV SPECIFICATIONS:
- 6 WIRE: UL RECOGNIZED 155°C RATED MAGNET WIRE  
CWS BYTEMARK (www.cwsbytemark.com) OR APPROVED VENDOR  
CORE: COATED SENDUST/KOOLMU TOROIDAL CORE



BOTTOM VIEW

MOUNTING HOLES PATTERN

MOUNTING HOLES PATTERN

- 1 READ TEXT FROM BOTTOM UP
- 2 NOTES: TOROIDAL POWER CHOKE. ALL DIMENSIONS IN INCHES [MM]

UNLESS OTHERWISE SPECIFIED	
DIMENSIONING AND TOLERANCE PER ANSI Y14.5M AND [MILLIMETERS]	ANGLE PROJECTION
TOLERANCE INCHES: .XX=±0.015 .XXX=±0.005 .XX=±0.015 .XXX=±0.005 .XX=±0.015 .XXX=±0.005	DO NOT SCALE DRAWING

CODE IDENT	MFG. P/N	DESCRIPTION	ITEM NO.
<b>PARTS LIST</b>			
AUTOCAD	X		
SOLIDWORKS			
SIGN	DATE	TITLE:	
KLC	10/6/08	Toroidal Power Inductor	
DRWN	10/6/08	390 UH, 4.4 Amp	
ENGR	10/6/08	SIZE [Dwg. No.]	
APPR. JLAU	5/4/11	B SN270-391M-4.4A	
		SCALE	NOT TO SCALE
		SHEET	1 OF 1

sales@coilws.com  
www.coilws.com  
Coil Winding Specialist, Inc.  
353 W Grove Ave  
Orange, CA 92665