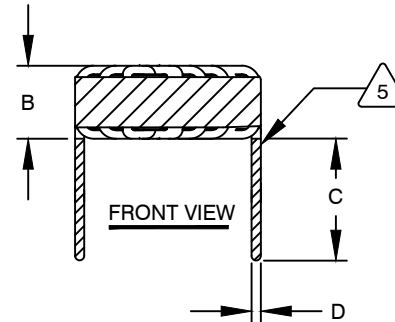
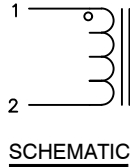


The information contained in this drawing is the sole property of CWS Coil Winding Specialist. Any reproduction in part or whole without written permission of CWS Coil Winding Specialist is prohibited.



DIMENSIONAL TOLERANCES INCHES [MM]				
A MAX	B MAX	C MIN	D REF	X REF
1.22 [30.95]	0.62 [15.80]	0.50 [12.70]	0.045 [1.15]	1.10 [27.94]

REVISION HISTORY						
REV	ECN	DESCRIPTION	SIGN & DATE			
			BY	DATE	CHK	DATE
A	-	INITIAL RELEASE	JLL	03/24/2011		
B	-	ELECT. AND MECHAN. SPEC. CHANGE	GN	08/31/2012	JL	08/31/2012
B1	-	UPDATED SPECS.	JZ	06/06/2021	JL	06/06/2021



DC BIAS TABLE

DC BIAS (AMP)	L @ 1.0 KHz
0	504uH
1	434uH
2	361uH
3	288uH
4	229uH
4.5	204uH

7 BUILD TO RoHS COMPLIANCE AND LEAD FREE.

USING A PERMANENT MARKING METHOD
 MARK PART NUMBER AND REVISION, IF APPLICABLE
 6 WRAP INDUCTOR WITH 3M # 79 OR EQUAL

5 (I.E. COIL MUST REST FLAT ON PCB). LEADS MUST BE TANGENT TO THE CORE
 REMOVE INSULATION AND TIN LEADS 0.50 INCH, FLUSH WITH THE COIL EDGE, AS SHOWN

4 WIND COILS EVENLY SPACED AROUND THE CORE
 CONSTRUCTION:

THESE SPECIFICATIONS ARE BASED ON LOW RIPPLE CURRENT
 WEIGHT: 36 GRAMS TYPICAL
 INTERWINDING CAPACITANCE = 26.15 pF TYP @ SRF
 SRF = 1.7 MHz TYPICAL
 |Z| = 29.7 KILO-OHMS TYP @ SRF
 RECOMMENDED AMBIENT OPERATING TEMP: -40 °C TO 200°C
 HI-POT TEST FOR WINDING TO CORE ISOLATION = 500 VDC 10 SEC
 CURRENT RATING : 4.5 AMPS, 40 °C TEMP. RISE WITH SOME AIR FLOW
 DCR = 63.0 MILLI-OHMS MAX.
 INDUCTOR DC BIAS: SEE TABLE ON THE RIGHT
 INDUCTANCE = 470 uH ± 15% @ 0 AMP DC BIAS, 1.0 KHz, 300mV

3 SPECIFICATIONS @ 25°C :

2 WIRE: UL RECOGNIZED 200°C RATED MAGNET WIRE
 CORE: POWDERED TOROIDAL CORE, CWS BYTEMARK OR OTHER APPROVED PART

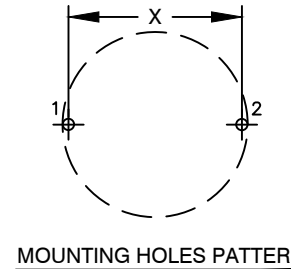
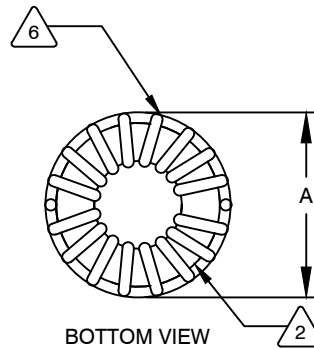
1 MATERIAL: UL RECOGNIZED 94V-0 FOR FLAMMABILITY, RATING CLASS H (180°C MIN.) REQUIRED

ANY TOLERANCE. THIS DIM. CAN VARY A LITTLE FROM PART TO PART.

"TYP" IN DIM. TOL. TABLE REFERS TO A NON-CRITICAL TYPICAL (AVERAGE) DIM. WITHOUT

NOTES: UNLESS OTHERWISE STATED, READ NOTES FROM BOTTOM UP.

CAGE CODE: 5DME2



UNLESS OTHERWISE SPECIFIED
 DIMENSIONING AND TOLERANCE PER ANSI Y14.5M
 ALL DIMENSIONS ARE IN INCHES AND [MILLIMETERS].
 TOLERANCE INCHES:
 .XXX=±.005 .XX=±.015 \angle=±0°30'
 TOLERANCE METRICS:
 .XXX=±.127 .XX=±.38 \angle=±0°30'
 ANGLE PROJECTION
 DO NOT SCALE DRAWING

CODE IDENT	MFG. P/N	DESCRIPTION	ITEM NO.
PARTS LIST			
AUTOCAD	X	COILWS COM, INC www.coilws.com	CWS Coil Winding Specialist. 353 W Grove Ave Orange, CA. 92865
SOLIDWORKS			
DRAWN	KLC 10/06/2008	TITLE: TOROIDAL POWER INDUCTOR 470 uH, 4.5 Amps, Horizontal	
CHECKED	CT 10/06/2008		
ENGR.	KLC 10/06/2008		
APPR.	KLC 10/06/2008	SIZE	DWG. NO.
		B	SN270-471M-4.5AH
		SCALE	REV
		2=1	B1
			SHEET 1 OF 1