

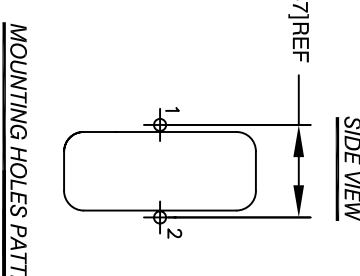
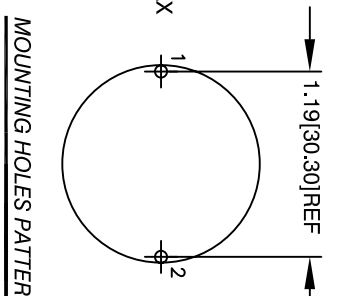
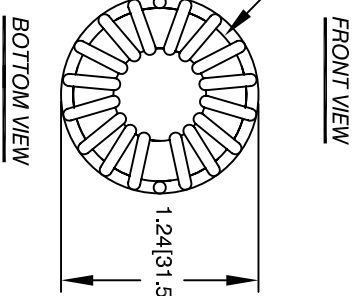
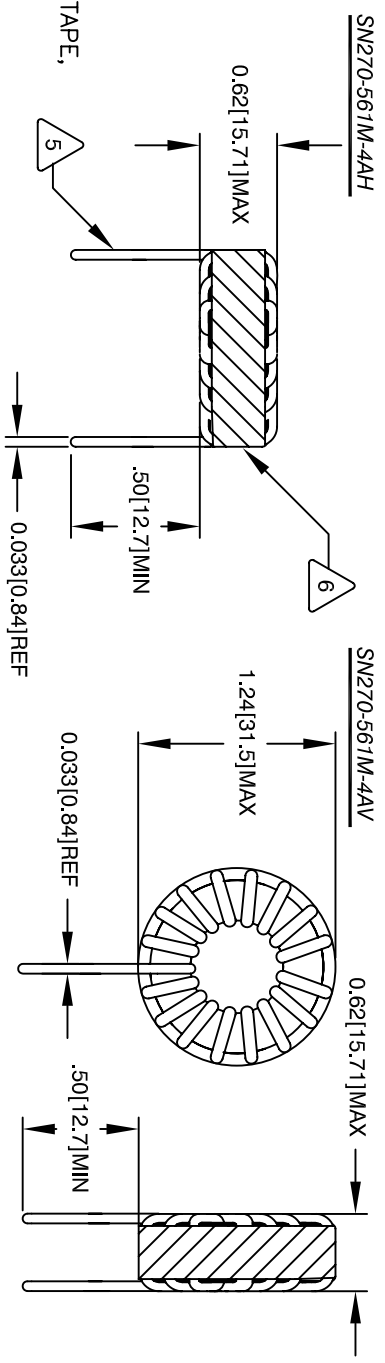
The information contained in this drawing is the sole property of CMS Coil Winding Specialist. Any reproduction in part or whole without written permission of CMS Coil Winding Specialist is prohibited.

REVISION HISTORY

REV	ECN	DESCRIPTION	SIGN & DATE		
A		PRODUCTION RELEASE	BY	DATE	CHK
			JLL	3/24/11	

DC BIAS @10KHZ	0A	2A	4A	6A	8A	10A
560 UH	417 UH	268 UH	165 UH	112 UH	81.9 UH	

SCHEMATIC



- 1 BUILD TO ROHS COMPLIANCE AND PB FREE
- 2 MARK PART NO. AND REV. IF NEEDED, WRAP INDUCTOR WITH ACRYLIC TAPE.
- 3 LEADS MUST BE TANGENT TO THE CORE FLUSH WITH THE COIL EDGE, REMOVE INSULATION AND TIN LEADS 0.5 INCH
- 4 WIND COILS EVENLY SPACED AROUND THE CORE CONSTRUCTION:

WEIGHT: 41 GRAMS (TYP)
 HI-POT : WINDING TO CORE ISOLATION = 500VDC MIN
 NO AIR FLOW
 CURRENT RATING : 4 AMPS, 40 °C TEMP. RISE,
 DCR : 66.5 MILLI-OHMS TYP.
 SELF RESONANCE FREQUENCY : 1.3 MHZ (TYP)
 INTERWINDING CAPACITANCE @ 10KHZ : 25.30pF (TYP)
 INDUCTANCE WITH DC BIAS : PLEASE SEE TABLE ABOVE
 INDUCTANCE = 560 uH ±15% @ LOW DC BIAS, 10KHZ, 250mV
 SPECIFICATIONS:

WIRE: UL RECOGNIZED 155°C RATED MAGNET WIRE
 CWS BYTEMARK (www.cwsbytemark.com) OR APPROVED VENDOR
 CORE: COATED SENDUST/KOOLMU TOROIDAL CORE

RATING CLASS B (130°C MIN.) REQUIRED
 MATERIAL: UL RECOGNIZED 94V-0 FOR FLAMMABILITY

1 READ TEXT FROM BOTTOM UP
 NOTES: TOROIDAL POWER CHOKE. ALL DIMENSIONS IN INCHES [MM]

CODE IDENT	MFG. P/N	DESCRIPTION	ITEM NO.
PARTS LIST			
AUTOCAD	X		
SOLIDWORKS			
SIGN	DATE	sales@colivs.com 353 W Grove Ave Orange, CA 92865	
DRWNN	KLC	10/6/08	
CHKD	CT	10/6/08	
ENGR	KLC	10/6/08	
APPR	JLJU	04/28/11	
TITLE:		Toroidal Power Inductor	
SIZE [Dwg. No.]		SN270-561M-4A	
SCALE		NOT TO SCALE	
DO NOT SCALE DRAWING		REV A	