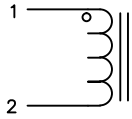


The information contained in this drawing is the sole property of CWS Coil Winding Specialist. Any reproduction in part or whole without written permission of CWS Coil Winding Specialist is prohibited.



SCHEMATIC

DC BIAS @10KHz	
0A	5.8 uH
5A	5.4 uH
10A	5.0 uH
15A	4.5 uH
20A	4.1 uH
24A	3.7 uH

7 BUILD TO ROHS COMPLIANCE AND PB FREE

6 MARK PART NO. AND REV. IF NEEDED, WRAP INDUCTOR WITH ACRYLIC TAPE,

5 LEADS MUST BE TANGENT TO THE CORE FLUSH WITH THE COIL EDGE, REMOVE INSULATION AND TIN LEADS 0.5 INCH

4 WIND COILS EVENLY SPACED AROUND THE CORE CONSTRUCTION:

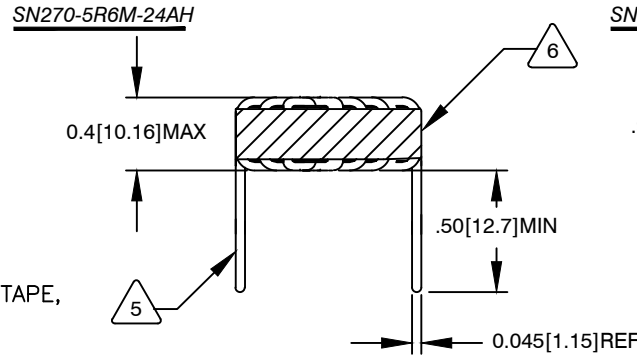
WEIGHT: 32.6 GRAMS (TYP)
 HI-POT : WINDING TO CORE ISOLATION = 500VDC MIN
 NO AIR FLOW
 CURRENT RATING : 20.8 AMPS, 40 °C TEMP. RISE,
 DCR : 1.74 MILLI-OHMS MAX.
 SELF RESONANCE FREQUENCY : 22 MHz (TYP)
 INTERWINDING CAPACITANCE @ 10KHz : 9.0pF (TYP)
 INDUCTANCE WITH DC BIAS : PLEASE SEE TABLE ABOVE
 INDUCTANCE = 5.6 uH ±15% @ LOW DC BIAS, 10KHz, 250mV
 SPECIFICATIONS:

3 WIRE: UL RECOGNIZED 155°C RATED MAGNET WIRE
 CWS BYTEMARK (www.cwsbytemark.com) OR APPROVED VENDOR
 CORE: COATED SENDUST/KOOLMU TOROIDAL CORE

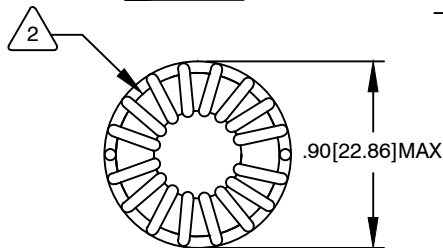
1 RATING CLASS B (130°C MIN.) REQUIRED
 MATERIAL: UL RECOGNIZED 94V-0 FOR FLAMMABILITY

READ TEXT FROM BOTTOM UP

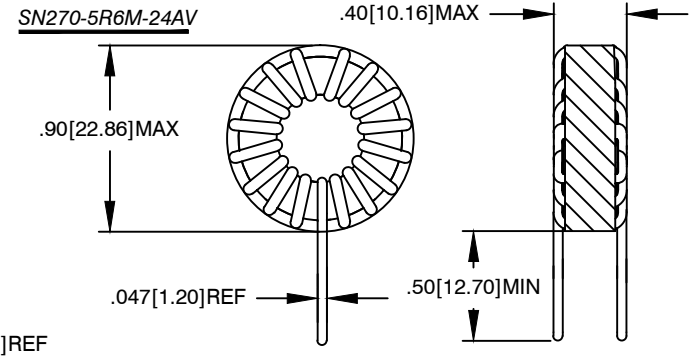
NOTES: TOROIDAL POWER CHOKE. ALL DIMENSIONS IN INCHES [MM]



FRONT VIEW

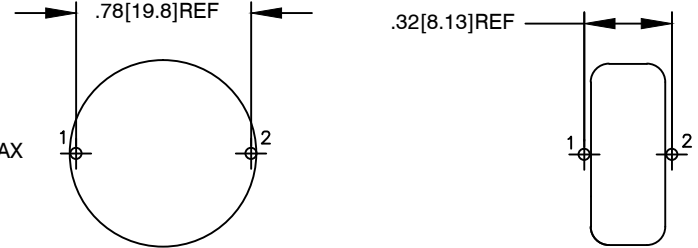


BOTTOM VIEW



FRONT VIEW

SIDE VIEW



MOUNTING HOLES PATTERN

MOUNTING HOLES PATTERN

REVISION HISTORY						
REV	ECN	DESCRIPTION	SIGN & DATE			
			BY	DATE	CHK	DATE
A		PRODUCTION RELEASE	JLL	3/24/11		

CODE IDENT	MFG. P/N	DESCRIPTION	ITEM NO.
PARTS LIST			
AUTOCAD	X	COILWS COM, INC www.coilws.com	CWS Coil Winding Specialist. 353 W Grove Ave Orange, CA 92865
SOLIDWORKS			
DRAWN	KLC 10/6/08	TITLE: Toroidal Power Inductor 5.6 uH, 24 Amp	
CHECKED	CT 10/6/08		
ENGR.	KLC 10/6/08		
APPR.	KLC 10/6/08		
SIZE DWG. NO.		B SN270-5R6M-24A	REV A
SCALE		2=1	SHEET 1 OF 1

UNLESS OTHERWISE SPECIFIED
 DIMENSIONING AND TOLERANCE PER ANSI Y14.5M
 ALL DIMENSIONS ARE IN INCHES AND [MILLIMETERS].
 TOLERANCE INCHES:
 .XXX=±.005 .XX=±.015 $\angle = \pm 0^{\circ}30'$
 TOLERANCE METRICS:
 .XXX=±.127 .XX=±.38 $\angle = \pm 0^{\circ}30'$
 ANGLE PROJECTION
 DO NOT SCALE DRAWING