

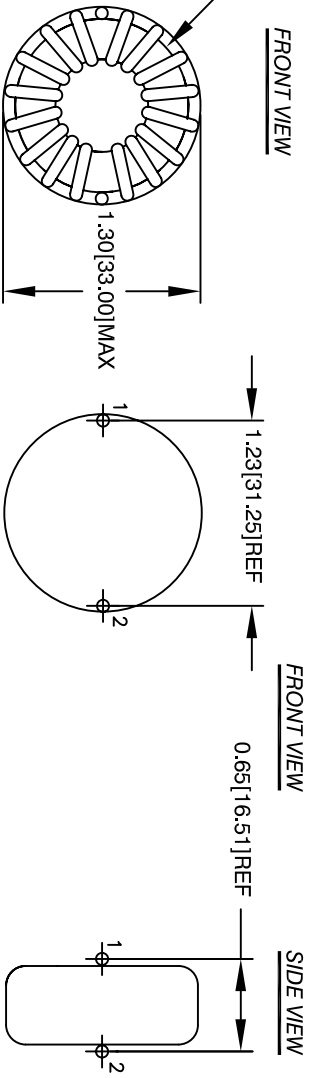
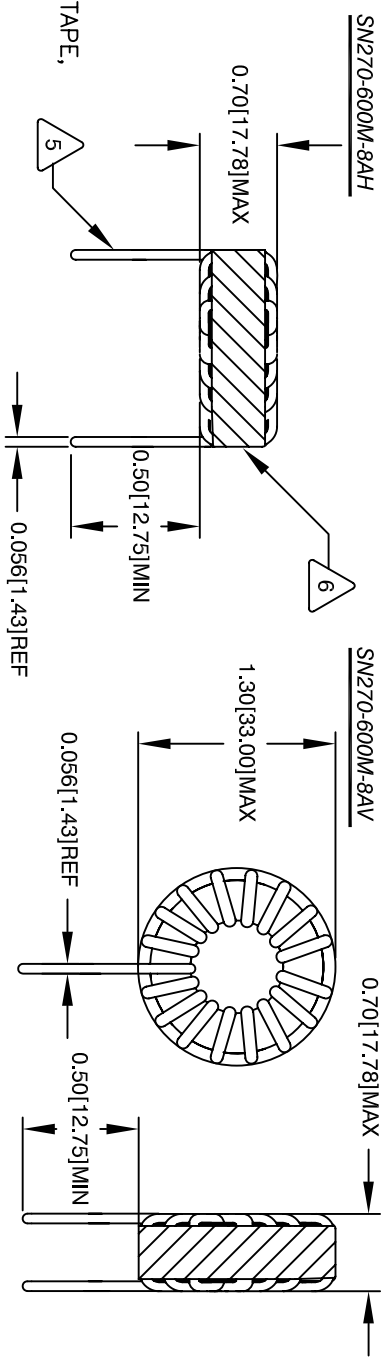
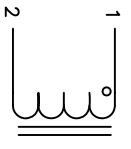
The information contained in this drawing is the sole property of CMS Coil Winding Specialist. Any reproduction in part or whole without written permission of CMS Coil Winding Specialist is prohibited.

REVISION HISTORY

REV	ECN	DESCRIPTION	BR	DATE	CHK	DATE
A		PRODUCTION RELEASE	JLL	5/4/11		

DC BIAS @10KHZ	0A	2A	5A	7A	10A	13A
60.0 uH	60.0 uH	50.2 uH	42.9 uH	33.6 uH	26.4 uH	

SCHEMATIC



BOTTOM VIEW

MOUNTING HOLES PATTERN

MOUNTING HOLES PATTERN

- WIRE: UL RECOGNIZED 155°C RATED MAGNET WIRE
- CWS BYTEMARK (www.cwsbytemark.com) OR APPROVED VENDOR
- CORE: COATED SENDUST/KOOLMU TOROIDAL CORE

- WIND COILS EVENLY SPACED AROUND THE CORE CONSTRUCTION:
- WEIGHT: 40 GRAMS (TYP)
- HI-POT : WINDING TO CORE ISOLATION = 500VDC MIN
- NO AIR FLOW
- CURRENT RATING : 8 AMPS, 40 °C TEMP. RISE, DCR : 9.2 MILLI-OHMS TYP.
- SELF RESONANCE FREQUENCY : 5.2 MHZ (TYP)
- INTERWINDING CAPACITANCE @ 10KHZ : 14.11pF (TYP)
- INDUCTANCE WITH DC BIAS : PLEASE SEE TABLE ABOVE
- INDUCTANCE = 60 uH ±15% @ LOW DC BIAS, 10KHZ, 250mV SPECIFICATIONS:

- RATING CLASS B (130°C MIN.) REQUIRED
- MATERIAL: UL RECOGNIZED 94V-0 FOR FLAMMABILITY

READ TEXT FROM BOTTOM UP
 NOTES: TOROIDAL POWER CHOKE. ALL DIMENSIONS IN INCHES [MM]

PARTS LIST

CODE IDENT	MFG. P/N	DESCRIPTION	ITEM NO.
AUTOCAD X			
SOLIDWORKS			
SIGN	DATE	sales@coilws.com 353 W Grove Ave Orange, CA 92665	
DRWN	DATE	Coil Winding Specialist, Inc..	
ENGR	DATE	www.coilws.com	
CHKD	DATE	5/4/11	
ENGR	DATE	10/6/08	
APPR	DATE	5/4/11	
TITLE:		Toroidal Power Inductor	
SIZE (Dwg. No.)		60 uH, 8 Amp	
SCALE		SN270-600M-8A	
NOT TO SCALE		REV A	
SHEET 1 OF 1			