

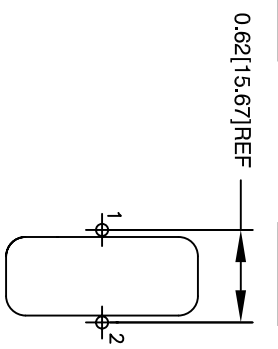
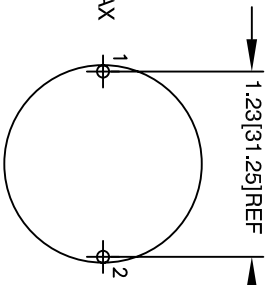
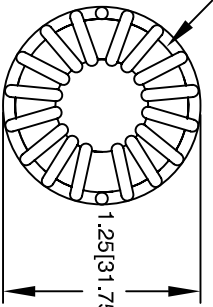
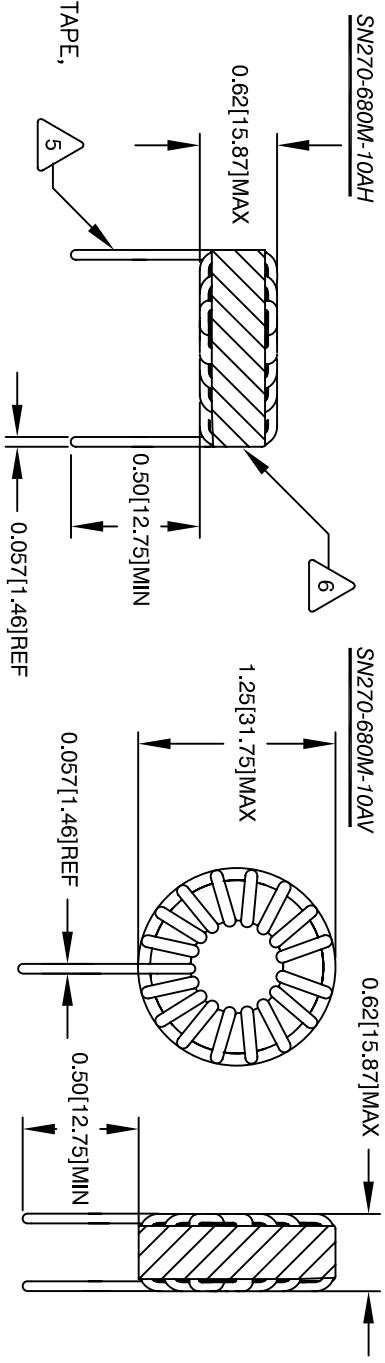
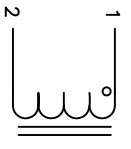
The information contained in this drawing is the sole property of CMS Coil Winding Specialist. Any reproduction in part or whole without written permission of CMS Coil Winding Specialist is prohibited.

REVISION HISTORY

REV	ECN	DESCRIPTION	SIGN & DATE		
A		PRODUCTION RELEASE	BY	DATE	CHK
			JLL	9/2/11	

DC BIAS @10KHZ	0A	2A	4A	6A	8A	10A
	73.2 uH	67.2 uH	58.7 uH	50.1 uH	42.2 uH	35.5 uH

SCHEMATIC



BOTTOM VIEW

MOUNTING HOLES PATTERN

MOUNTING HOLES PATTERN

2

WIRE: UL RECOGNIZED 155°C RATED MAGNET WIRE
 CWS BYTEMARK (www.cwsbytemark.com) OR APPROVED VENDOR
 CORE: COATED SENDUST/KOOLMU TOROIDAL CORE

1 RATING CLASS B (130°C MIN.) REQUIRED
 MATERIAL: UL RECOGNIZED 94V-0 FOR FLAMMABILITY

READ TEXT FROM BOTTOM UP
 NOTES: TOROIDAL POWER CHOKE. ALL DIMENSIONS IN INCHES [MM]

3

WEIGHT: 40 GRAMS (TYP)
 HI-POT : WINDING TO CORE ISOLATION = 500VDC MIN
 NO AIR FLOW
 CURRENT RATING : 10 AMPS, 40 °C TEMP. RISE,
 DCR : 9.64 MILLI-OHMS TYP.
 SELF RESONANCE FREQUENCY : 4.9 MHZ (TYP)
 INTERWINDING CAPACITANCE @ 10KHZ : 14.85pF (TYP)
 INDUCTANCE WITH DC BIAS : PLEASE SEE TABLE ABOVE
 INDUCTANCE = 68 uH ±15% @ LOW DC BIAS, 10KHZ, 250mV
 SPECIFICATIONS:

4

WIND COILS EVENLY SPACED AROUND THE CORE
 CONSTRUCTION:

5

LEADS MUST BE TANGENT TO THE CORE
 FLUSH WITH THE COIL EDGE,
 REMOVE INSULATION AND TIN LEADS 0.5 INCH

6

MARK PART NO. AND REV.
 IF NEEDED, WRAP INDUCTOR WITH ACRYLIC TAPE,
 BUILD TO ROHS COMPLIANCE AND PB FREE

7

BUILD TO ROHS COMPLIANCE AND PB FREE

UNLESS OTHERWISE SPECIFIED	
DIMENSIONING AND TOLERANCE PER ANSI Y14.5M AND [MILLIMETERS]	
TOLERANCE INCHES:	± = ±0.30°
XXX=±.005 XX=±.015 X=±.030	
TOLERANCE METRICS:	± = ±0.30°
XXX=±.127 XX=±.254 X=±.508	
ANGLE PROJECTION	⊕
DO NOT SCALE DRAWING	

CODE IDENT	MFG. P/N	DESCRIPTION	ITEM NO.
PARTS LIST			
AUTOCAD	X		
SOLIDWORKS			
SIGN	DATE		
DRWNN	KLC	10/6/08	
CHKDD	CT	10/6/08	
ENGR	KLC	10/6/08	
APPR	JLJU	5/3/11	
SIZE	DWG. NO.	TITLE:	REV
B	SN270-680M-10A	Toroidal Power Inductor	A
SCALE	NOT TO SCALE		
SHEET	1	OF	1

sales@colivs.com
 www.colivs.com
 Coil Winding Specialist, Inc.
 353 W Grove Ave
 Orange, CA 92865

Toroidal Power Inductor
 68 uH, 10 Amp