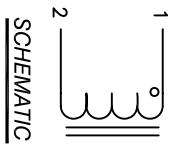


The information contained in this drawing is the sole property of Coil Winding Specialist, Inc. Any reproduction in part or whole without written permission of Coil Winding Specialist is prohibited.



SCHEMATIC

DC Bias @ 10 KHz	
0A	680.0 uH
1A.	577.4 uH
2A.	450.2 uH
3A.	346.1 uH
3.8A.	278.4 uH

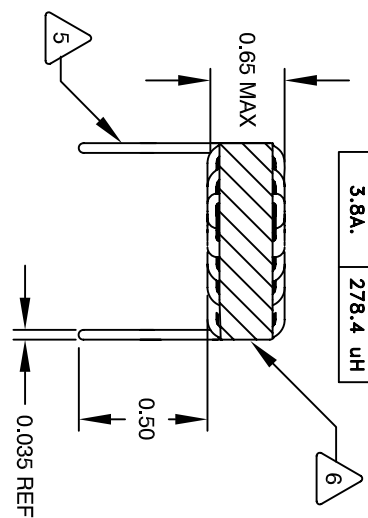
REVISION HISTORY		SIGN & DATE	
REV	ECN	BY	DATE
A		KLC	5/1/08
B		JL	8/30/12

DESCRIPTION	DATE
PRODUCTION RELEASE	5/1/08
ELECT. AND MECH. SPEC. CHANGE	8/30/12

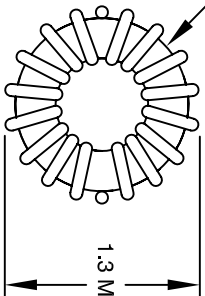
- BUILT TO ROHS COMPLIANCE AND LEAD FREE
- USING A PERMANENT MARKING METHOD
- MARK PART NUMBER AND REVISION, IF APPLICABLE
- IF NEEDED, WRAP INDUCTOR WITH GLASS TAPE TO THE CORE
- MUST REST FLAT ON PCB. LEADS MUST BE TANGENT FLUSH WITH THE COIL EDGE, AS SHOWN (I.E. COIL REMOVE INSULATION AND TIN LEADS 0.50 INCH
- WIND COILS EVENLY SPACED AROUND THE CORE
- CONSTRUCTION:

- WEIGHT = 40 GRAMS TYP
- HI-POT TEST FOR WINDING TO CORE ISOLATION = 500VDC MIN
- CURRENT RATING : 3.8 AMPS, 40 °C TEMP. RISE, NO AIR FLOW
- DC RESISTANCE = 83 MILLI-OHMS MAX
- SRF = 950 MHZ TYP
- INTERWINDING CAPACITANCE @ 10KHZ: 32.16 pF TYP
- INDUCTANCE WITH DC BIAS: PLEASE SEE TABLE ABOVE
- INDUCTANCE = 680 uH +/-15% @ LOW DC BIAS, 10 KHZ, 250mV
- SPECIFICATIONS:

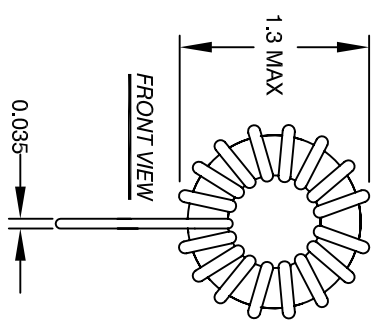
- WIRE: UL RECOGNIZED 155°C RATED MAGNET WIRE
 - CWS BYTEMARK OR OTHER APPROVED PART
 - CORE: COATED SENDUST/KOOLMU TOROIDAL CORE
 - RATING CLASS B (130°C MIN.) REQUIRED
 - MATERIAL: UL RECOGNIZED 94V-0 FOR FLAMMABILITY
- NOTES: TOROIDAL POWER CHOKE. ALL DIMENSIONS IN INCHES



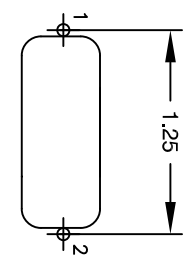
FRONT VIEW



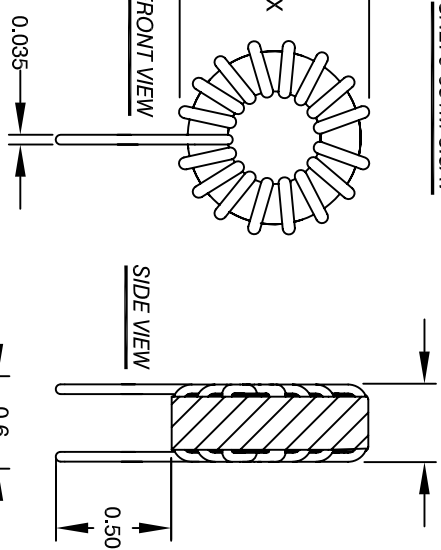
BOTTOM VIEW



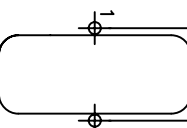
FRONT VIEW



MOUNTING HOLES PATTERN



SIDE VIEW



MOUNTING HOLES PATTERN

CODE IDENT	MFG. P/N	DESCRIPTION	ITEM NO.
PARTS LIST			
AUTOCAD	X		
SOLIDWORKS			
UNLESS OTHERWISE SPECIFIED			
DIMENSIONING AND TOLERANCE PER ANSI Y14.5M AND [MILLIMETERS].	DRAWN	DATE	
TOLERANCE INCHES: .XXX=±.005 .XX=±.015 .X=±.030	TDK	5/1/08	
ANGLE PROJECTION	ENGR.	5/1/08	
DO NOT SCALE DRAWING	APPR.	5/1/08	
TITLE:		Toroidal Power Chokes	
SALES@COILS.COM		Toroid Inductor	
WWW.COILS.COM		Coil Winding Specialist, Inc.	
353 W Grove Ave		Orange, CA 92865	
SIZE	SCALE	REV	
B	2=1	B	
SN270-681M-3.8A		SHEET 1 OF 1	