

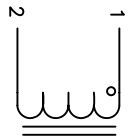
The information contained in this drawing is the sole property of CMS Coil Winding Specialist. Any reproduction in part or whole without written permission of CMS Coil Winding Specialist is prohibited.

REVISION HISTORY

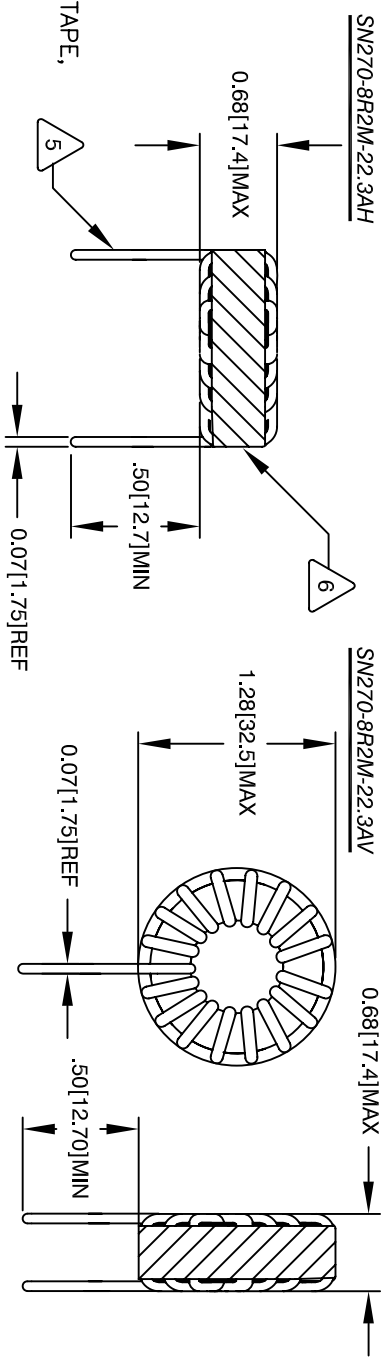
REV	ECN	DESCRIPTION	DATE
A		PRODUCTION RELEASE	JLL 3/24/11

DC BIAS @10KHZ	12A	6.0 uH
0A	14A	6.3 uH
2A	17A	5.9 uH
5A	20A	5.4 uH
7A	22A	5.1 uH
9A	24A	5.0 uH

DC BIAS	12A	6.0 uH
0A	14A	6.3 uH
2A	17A	5.9 uH
5A	20A	5.4 uH
7A	22A	5.1 uH
9A	24A	5.0 uH



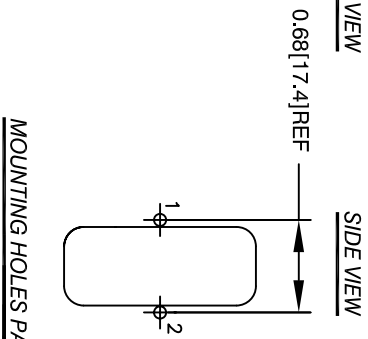
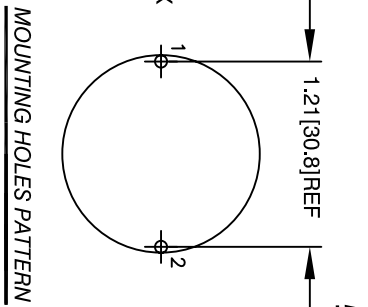
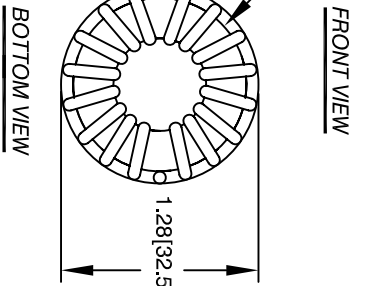
SCHEMATIC



- 7 BUILD TO ROHS COMPLIANCE AND PB FREE
- 6 MARK PART NO. AND REV. IF NEEDED, WRAP INDUCTOR WITH ACRYLIC TAPE, LEADS MUST BE TANGENT TO THE CORE FLUSH WITH THE COIL EDGE, REMOVE INSULATION AND TIN LEADS 0.5 INCH
- 5 WIND COILS EVENLY SPACED AROUND THE CORE CONSTRUCTION:
- 4 WEIGHT: 36 GRAMS (TYP)
HI-POT : WINDING TO CORE ISOLATION = 500VDC MIN NO AIR FLOW
CURRENT RATING : 22.3 AMPS, 40 °C TEMP. RISE, DCR : 2.58 MILLI-OHMS TYP.
SELF RESONANCE FREQUENCY : 19.2 MHz (TYP)
INTERWINDING CAPACITANCE @ 10kHz : 8.58pF (TYP)
INDUCTANCE WITH DC BIAS : PLEASE SEE TABLE ABOVE
INDUCTANCE = 8.1uH ±15% @ LOW DC BIAS, 10 KHZ, 250mV SPECIFICATIONS:

- 3 WIRE: UL RECOGNIZED 155°C RATED MAGNET WIRE
CWS BYTEMARK (www.cwsbytemark.com) OR APPROVED VENDOR
CORE: COATED SENDUST/KOOLMU TOROIDAL CORE
- 2 RATING CLASS B (130°C MIN.) REQUIRED
MATERIAL: UL RECOGNIZED 94V-0 FOR FLAMMABILITY

READ TEXT FROM BOTTOM UP
NOTES: TOROIDAL POWER CHOKE. ALL DIMENSIONS IN INCHES [MM]



PARTS LIST

CODE IDENT	MFG. P/N	DESCRIPTION	ITEM NO.
AUTOCAD X			
SOLIDWORKS			
SIGN	DATE	sales@colivs.com 353 W Grove Ave Orange, CA 92665	
DRWN	DATE	Coil Winding Specialist, Inc.	
CHKD	DATE	TITLE: Toroidal Power Inductor	
ENGR	DATE	8.2 uH, 22.3 Amp	
APPR	DATE	SIZE (Dwg. No.)	
JLAV	03/24/11	B	
DO NOT SCALE DRAWING		SCALE NOT TO SCALE	
		SHEET 1 OF 1	