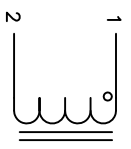
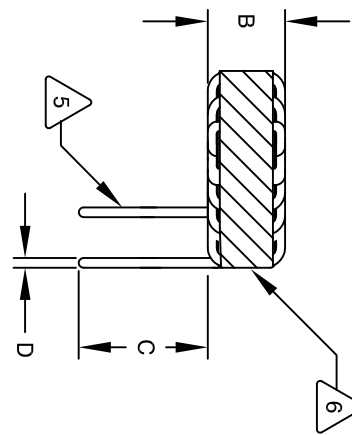


The information contained in this drawing is the sole property of CMS Coil Winding Specialist. Any reproduction in part or whole without written permission of CMS Coil Winding Specialist is prohibited.

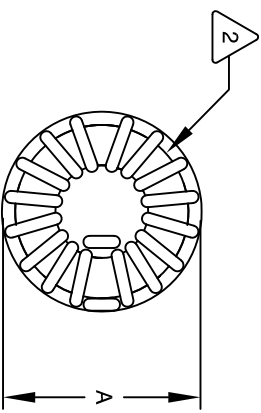
DIMENSIONAL TOLERANCES INCHES [MM]					
A	B	C	D		X
MAX	MAX	MIN	REF		
2.80 [65.00]	1.06 [27.00]	1.00 [25.40]	0.07±0.22 [1.83±5.48]		1.00 [25.40]



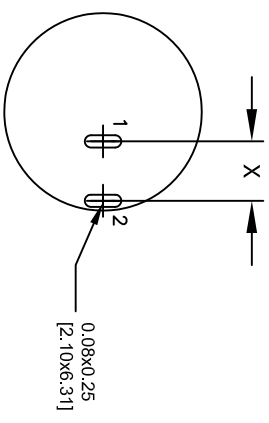
SCHEMATIC



FRONT VIEW



BOTTOM VIEW



MOUNTING HOLES PATTERN

DC BIAS @1KHz	0A	5A	10A	15A	20A	25A	30A	35A	40A	45A	50A	55A	60A	65A	70A
	33.0 uH	30.3 uH	27.9 uH	25.3 uH	22.7 uH	20.4 uH	18.2 uH	16.0 uH	14.3 uH	12.5 uH	11.2 uH	9.9 uH	9.0 uH	8.1 uH	7.3 uH

- 7 BUILD TO ROHS COMPLIANCE AND PB FREE
- 6 MARK PART NO. AND REV. IF NEEDED, WRAP INDUCTOR WITH GLASS TAPE, LEADS MUST BE TANGENT TO THE CORE FLUSH WITH THE COIL EDGE, REMOVE INSULATION AND TIN LEADS 1.0 INCH
- 5 WIND COILS EVENLY SPACED AROUND THE CORE CONSTRUCTION:
- 4 WEIGHT: 340 GRAMS (TYP)  
HI-POT : WINDING TO CORE ISOLATION = 500VDC MIN  
NO AIR FLOW  
CURRENT RATING : 60 AMPS, 40 °C TEMP. RISE,  
DCR : 2.5 MILLI-OHMS TYP.  
SELF RESONANCE FREQUENCY : 9.9 MHZ (TYP)  
INTERWINDING CAPACITANCE @ SRF : 6.0pF (TYP)  
INDUCTANCE WITH DC BIAS : PLEASE SEE TABLE  
INDUCTANCE = 28 uH ±15% @ LOW DC BIAS, 1 KHz, 250mV SPECIFICATIONS:
- 3 WIRE: UL RECOGNIZED 200°C RATED MAGNET WIRE  
CWS BYTEMARK (www.cwsbytemark.com) OR APPROVED VENDOR  
CORE: COATED SENDUST/KOOLMU TOROIDAL CORE
- 2 RATING CLASS H (180°C MIN.) REQUIRED  
MATERIAL: UL RECOGNIZED 94V-0 FOR FLAMMABILITY
- 1 READ TEXT FROM BOTTOM UP

NOTES: TOROIDAL POWER CHOKE. ALL DIMENSIONS IN INCHES [MM]

REVISION HISTORY		SIGN & DATE		
REV	ECN	DESCRIPTION	BY	DATE
A		PRODUCTION RELEASE	JL	11/18/17

CODE IDENT	MFG. P/N	DESCRIPTION	ITEM NO.
PARTS LIST			

AUTOCAD SOLIDWORKS		X	
UNLESS OTHERWISE SPECIFIED	DRAWN	DATE	
DIMENSIONING AND TOLERANCE PER ANSI Y14.5M AND [MILLIMETERS]	JL	11/18/17	
TOLERANCE INCHES: $\phi$ = ±0.30	CHKD	11/18/17	
.XXX = ±.005 XX = ±.015 $\phi$ = ±0.30	ENGR	11/18/17	
.XXX = ±.125 XX = ±.25	APPR	11/18/17	
ANGLE PROJECTION	SIZE	DWG. NO.	REV
DO NOT SCALE DRAWING	B	SN571-280M-60AH	A
	SCALE	NOT TO SCALE	SHEET 1 OF 1

Toroidal Power Inductor  
28 uH, 60 Amp

sales@coilws.com  
www.coilws.com  
Coil Winding Specialist, Inc.  
353 W Grove Ave  
Orange, CA 92865