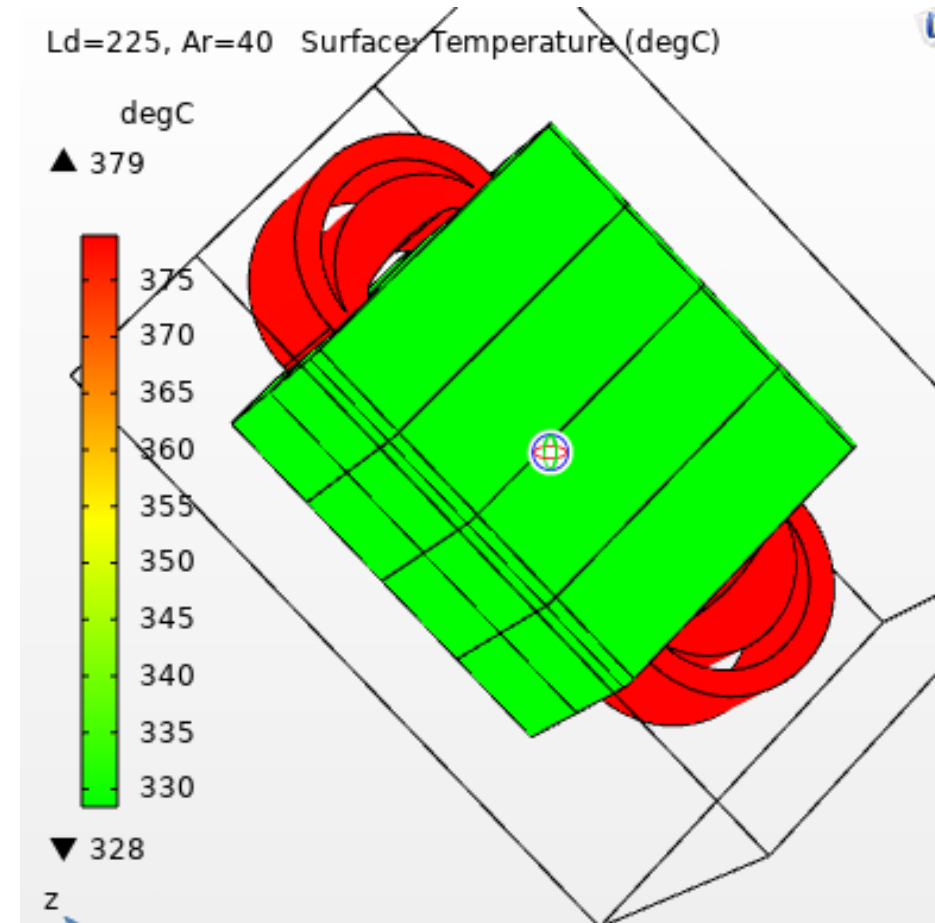
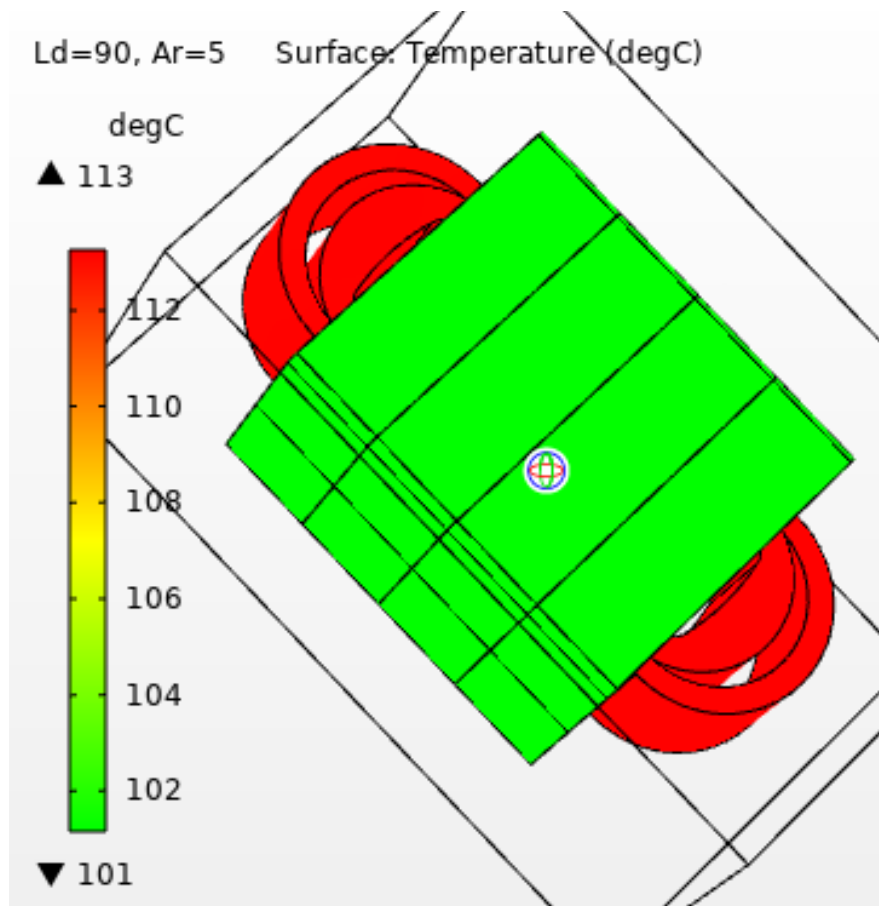
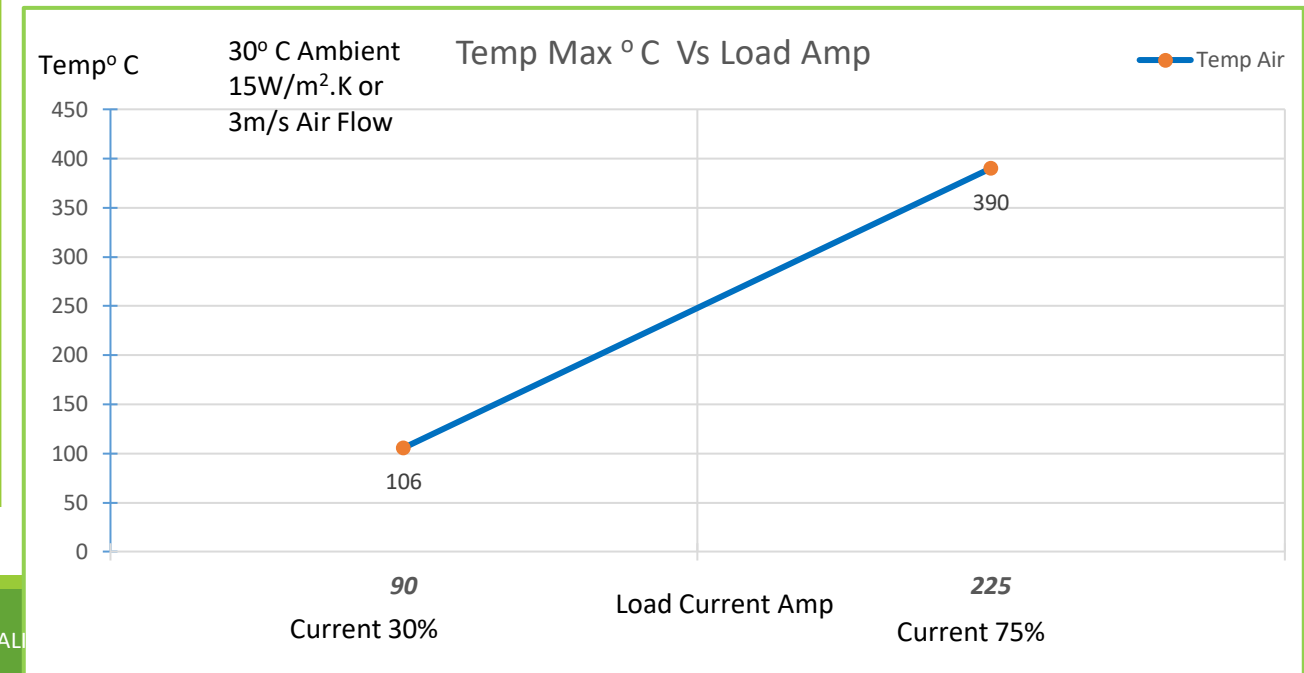
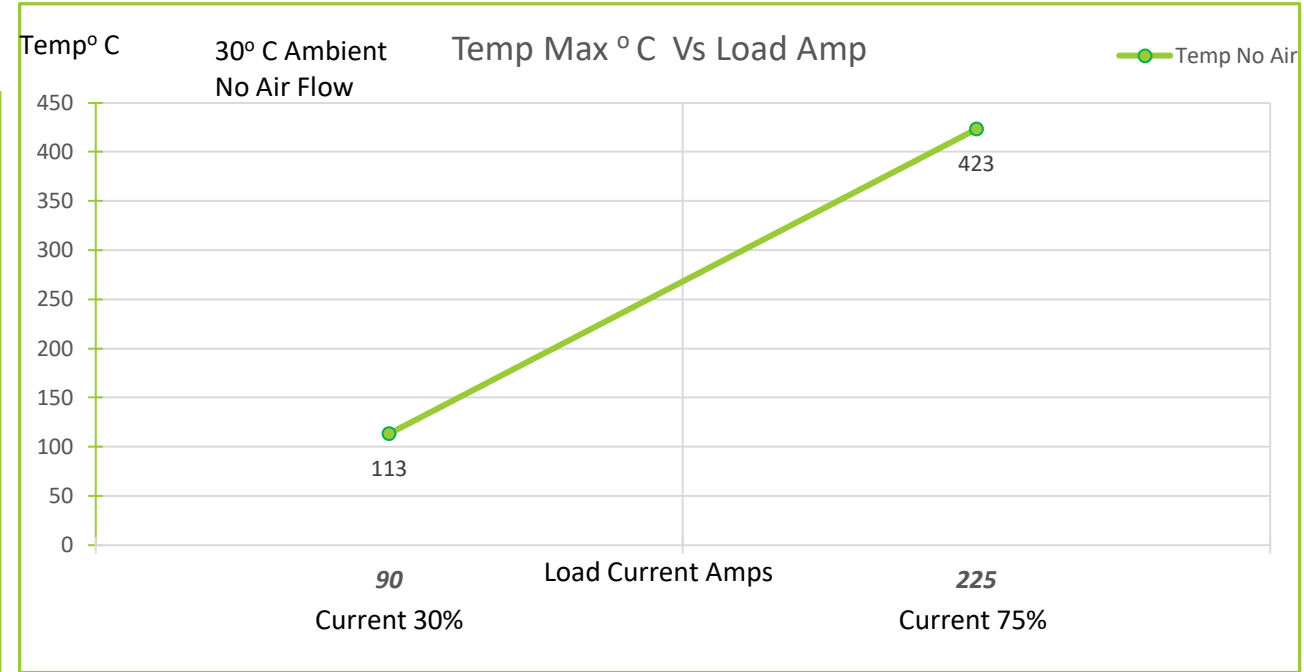
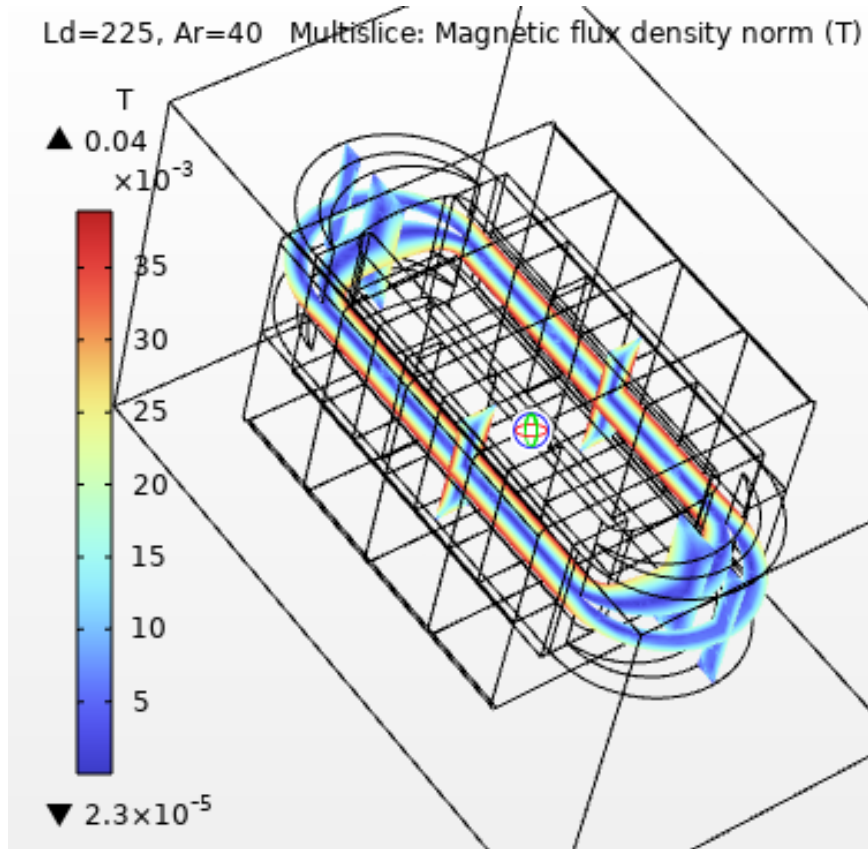


Current 75% (225A)  
15 W/(m<sup>2</sup>K) or 3 m/s air  
flow.

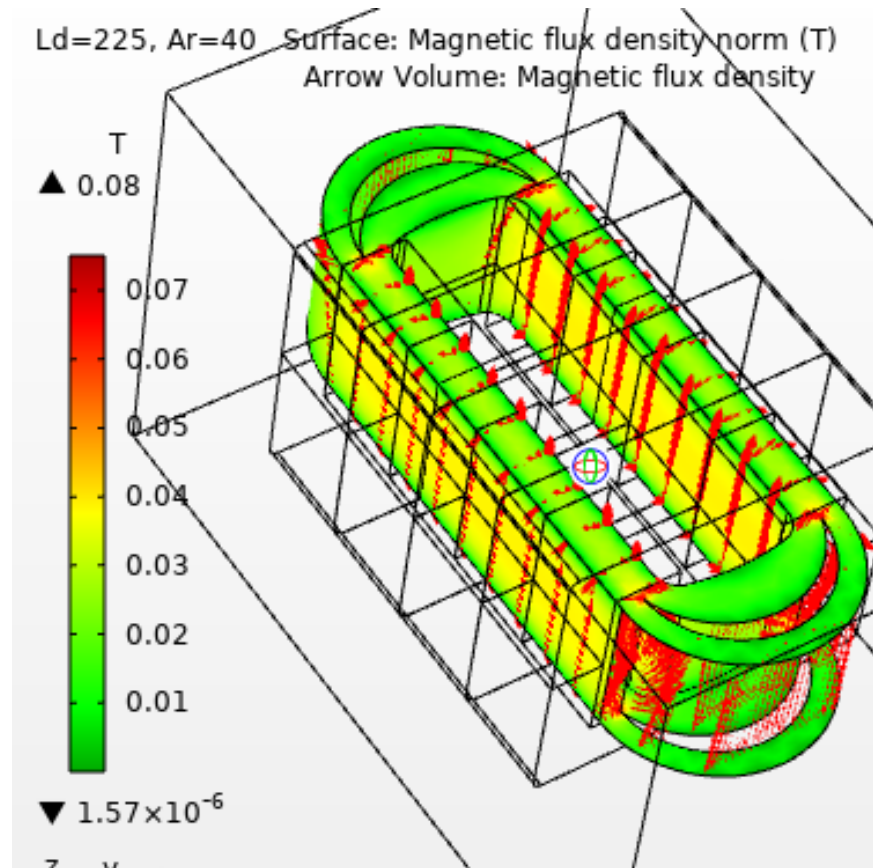
Current 30% (90A)  
No Airflow  
Natural convection



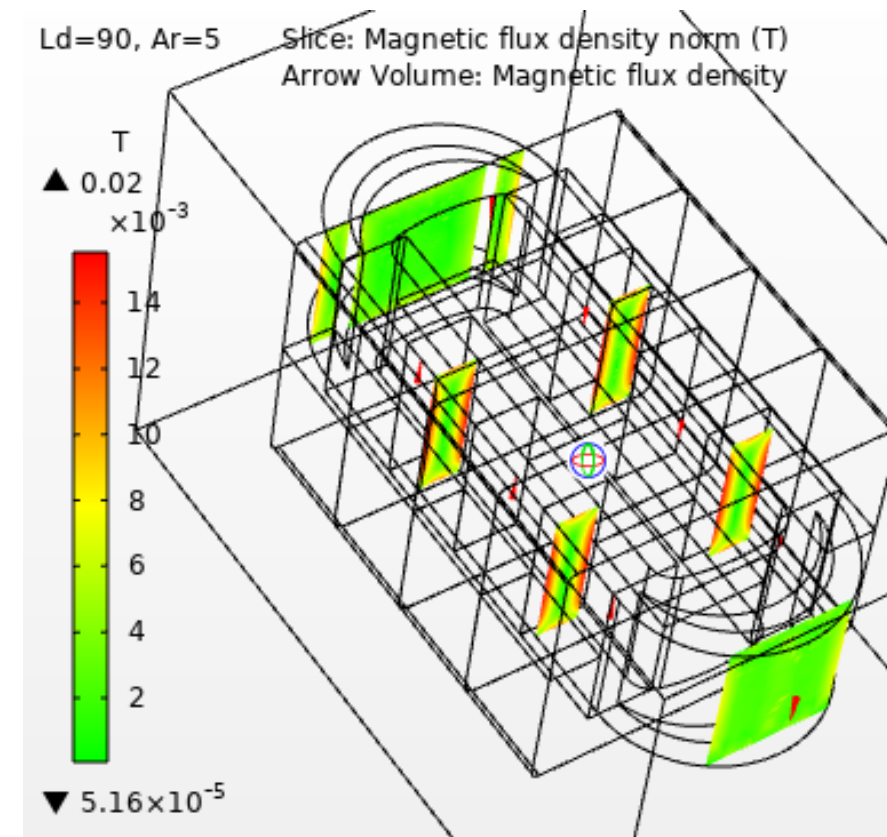
# Thermal and Electromagnetics simulation – Part # CWS-1EE-12720– Current rated 300A @ 10kHz



### Coil Flux



### Core flux



# Abbreviations

Ld	: Current rated Amps
Ar	: Airflow
W/m <sup>2</sup> .K	: Watts / Sq meter .Kelvin – Heat Convection rate
m/s	: Meter/ Second - Airflow
degC	: Temperature in Deg C
T	: Tesla – Magnetic Flux density
Temp	: Temperature
Temp max:	Temperature Maximum
Amb	: Ambient Temperature
Amps	: Ampere Load current.
Slice	: Sectional view

## Disclaimer :

- Simulation MODEL is an effective tool for evaluating product performance by simulation; however, it does not simulate product performance in all test environments and is not intended to be a replacement for testing of the actual device by means of a test board or otherwise.
- Simulation results are for reference purposes only; CUSTOMER shall perform thorough testing using the actual device.