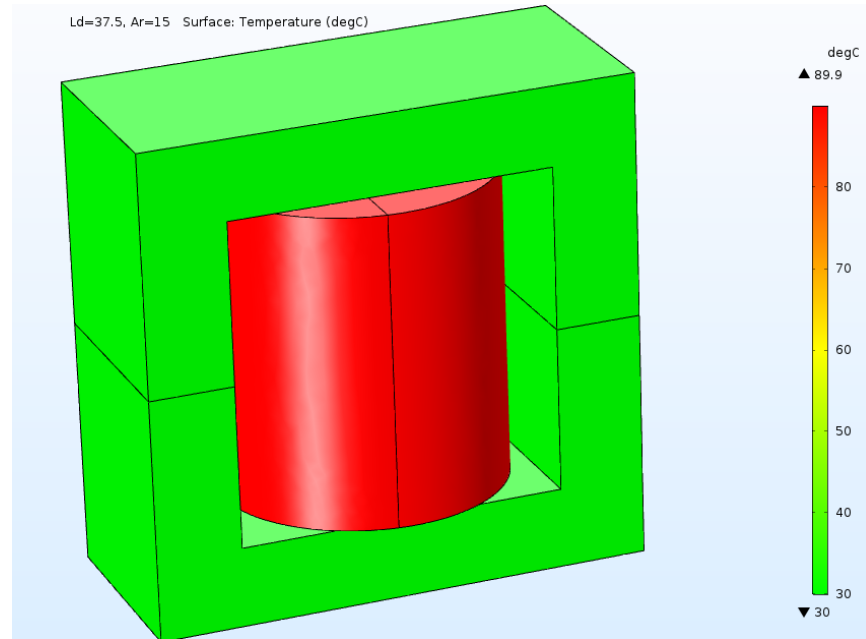
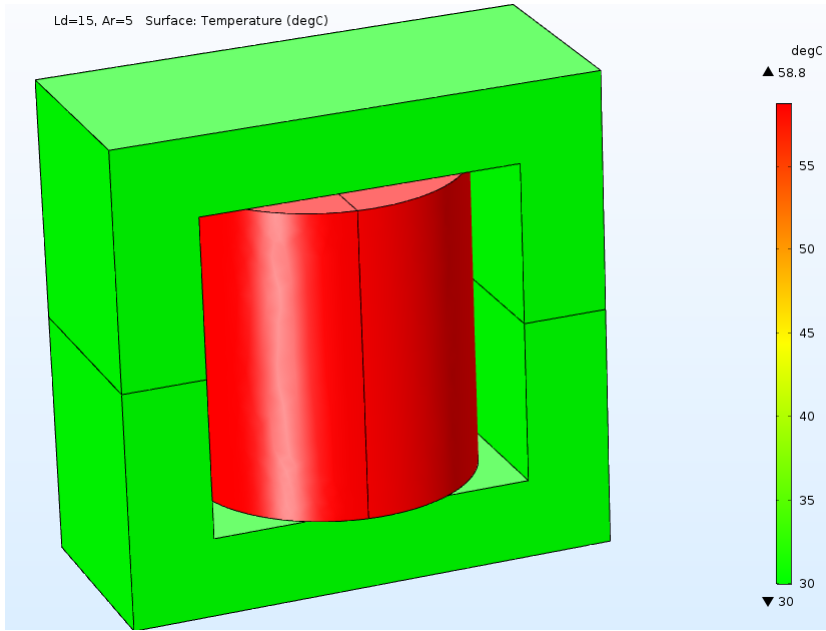
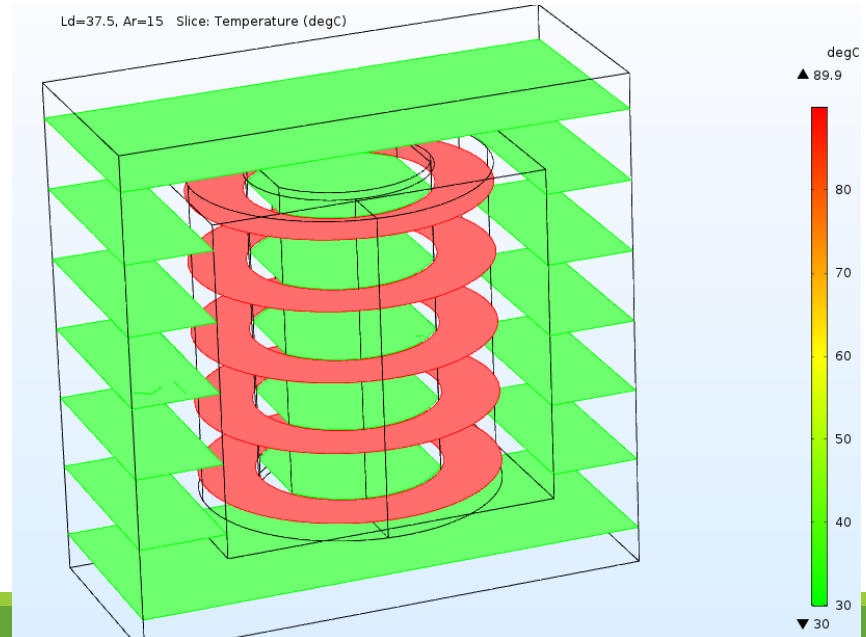
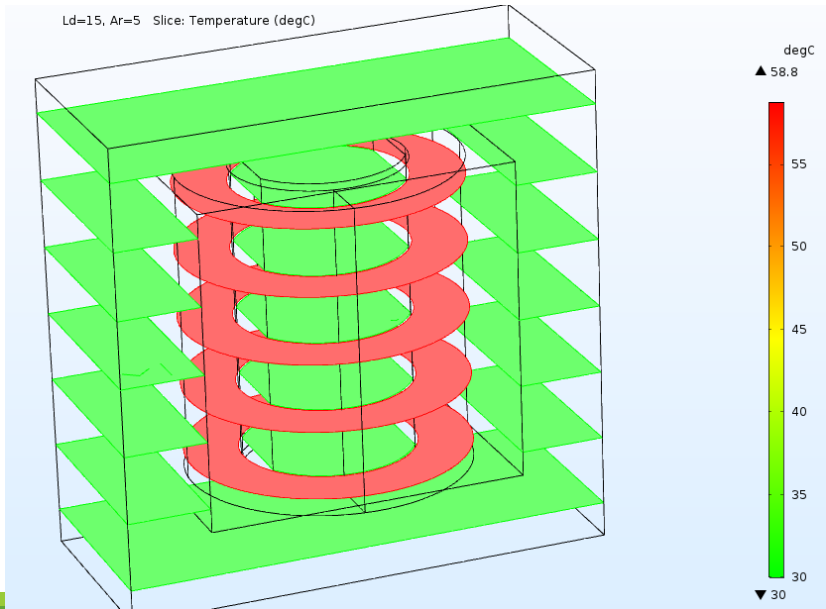


Thermal and Electromagnetics simulation – Part # EK55246-221M-50AH – Current rated 50A @ 10kHz

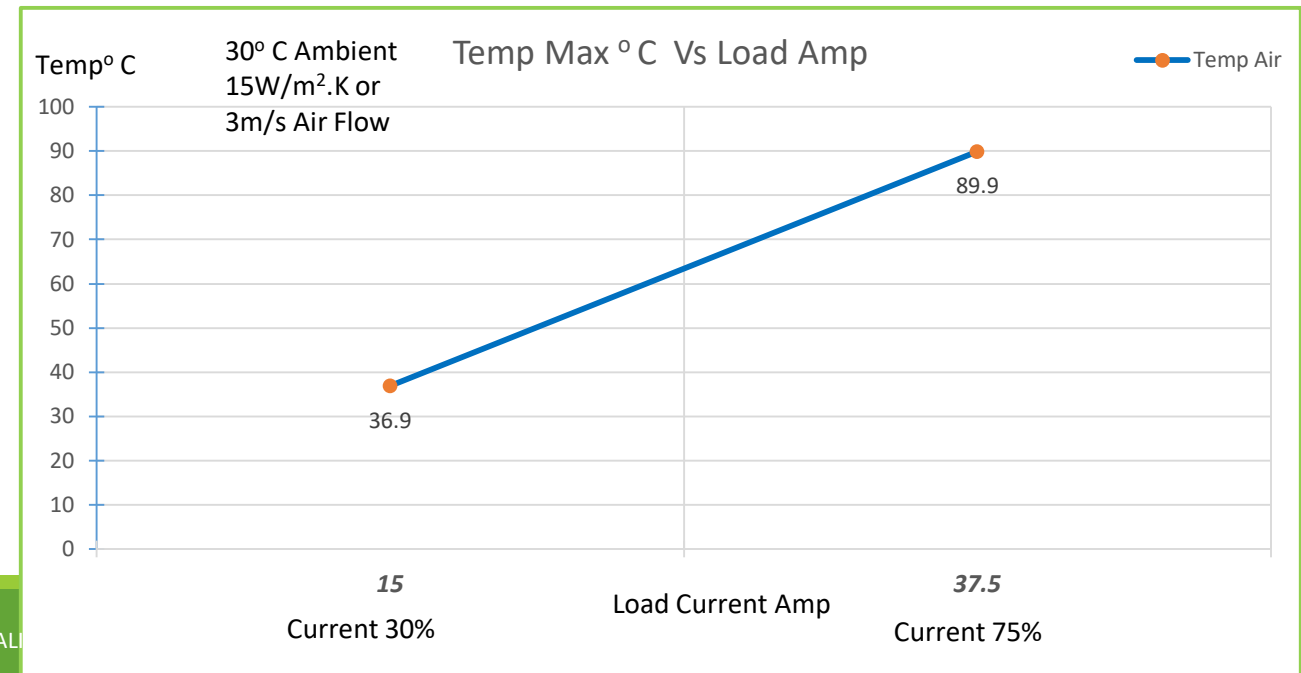
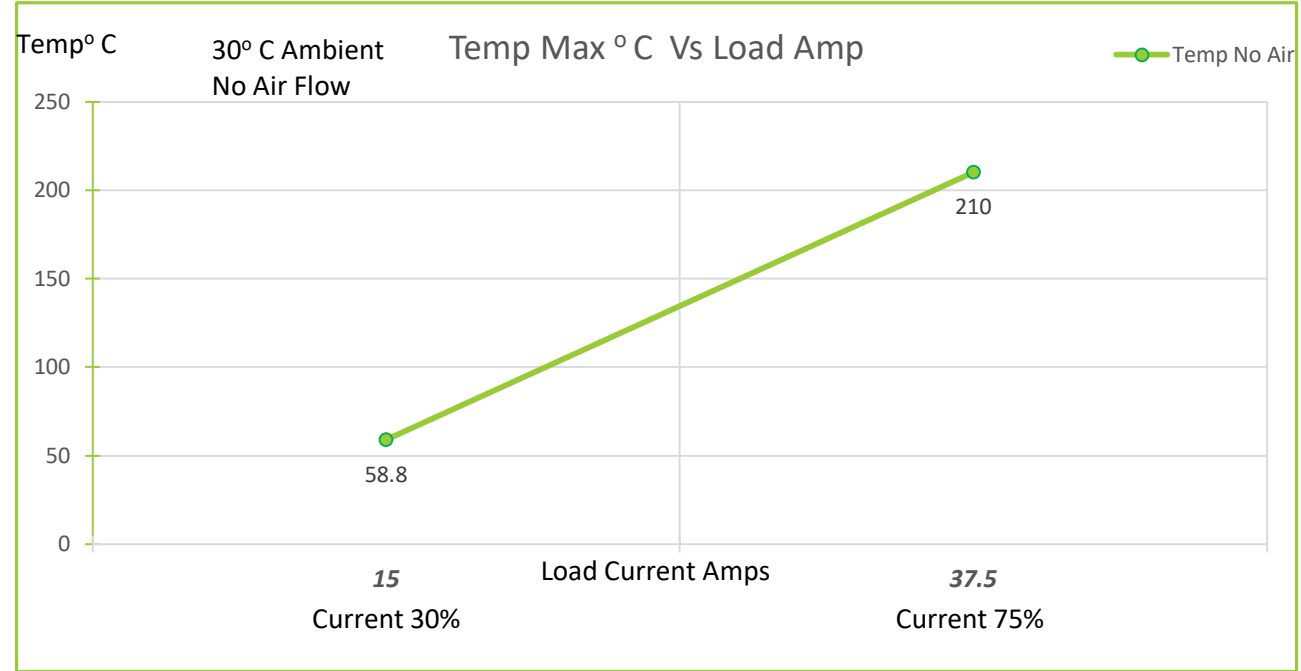
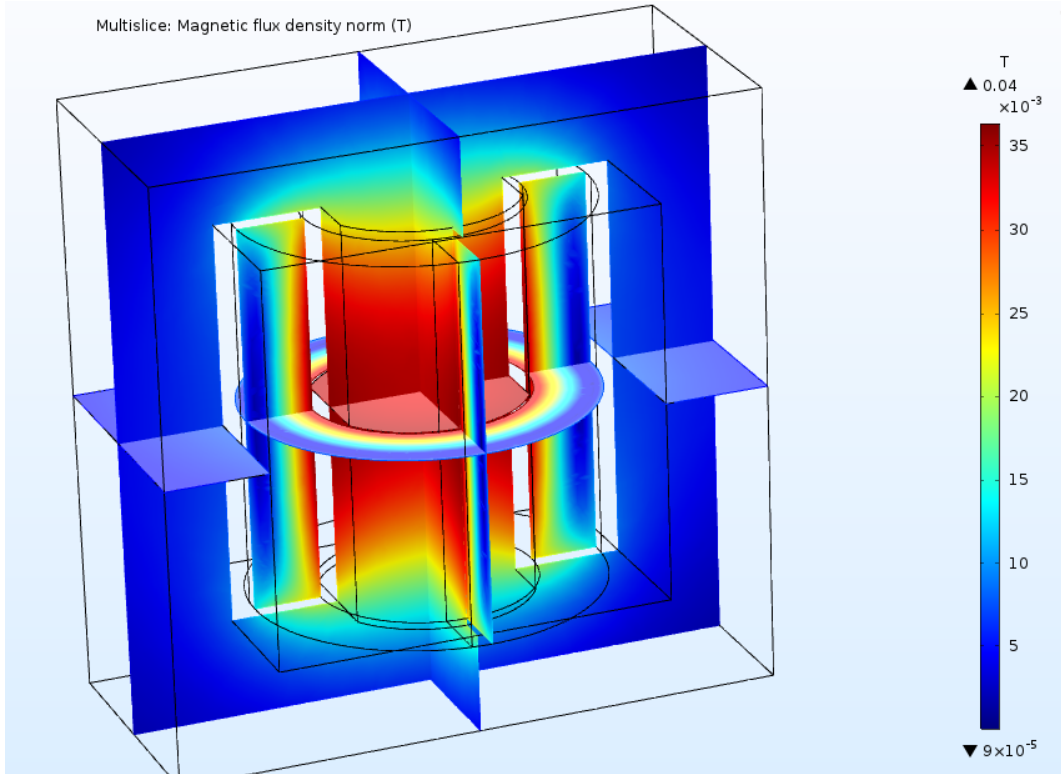
Current 30% (15 A)
No Airflow
Natural convection



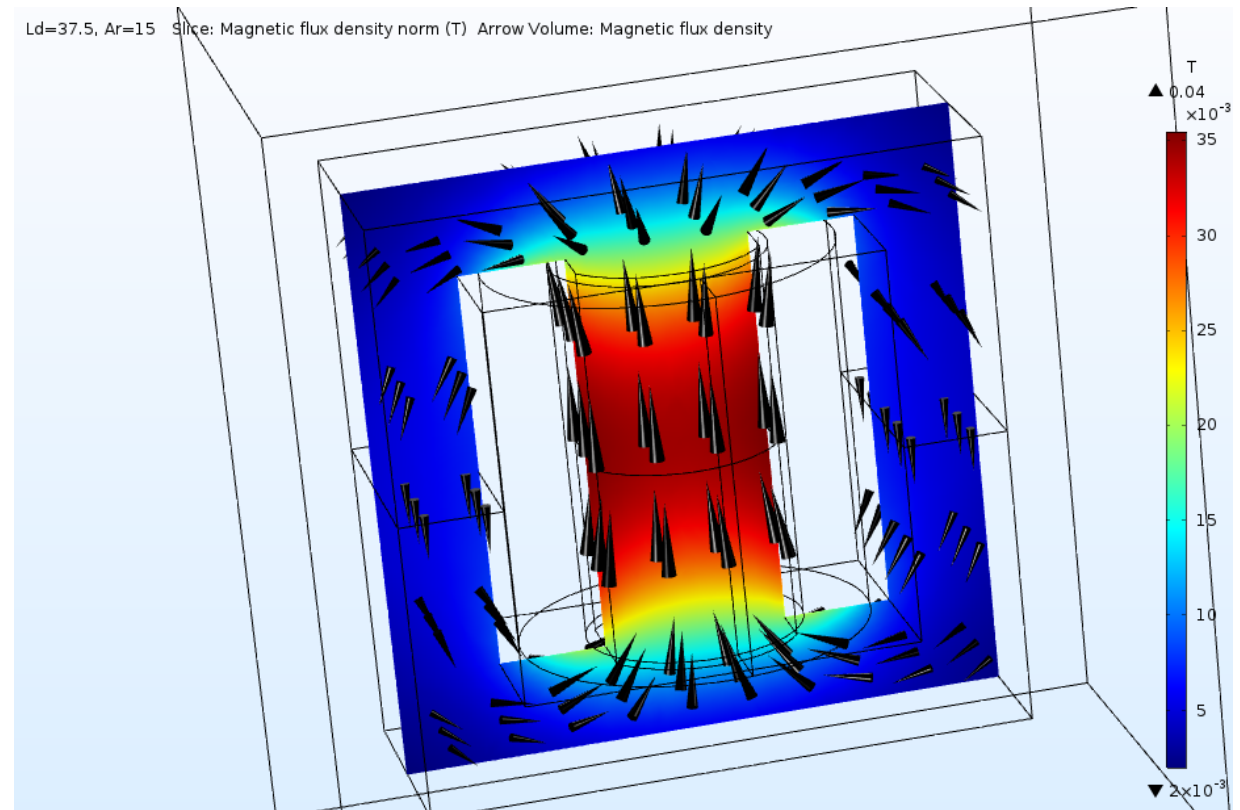
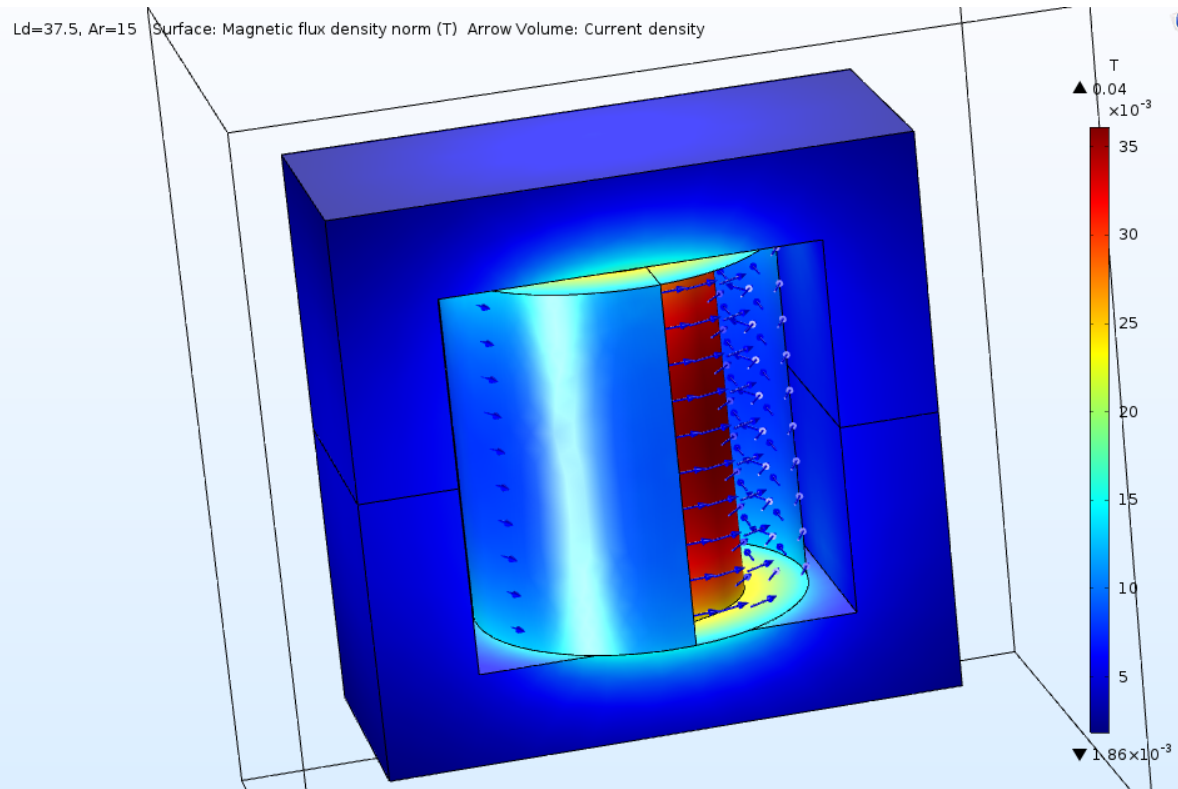
Current 75% (37.5 A)
15 W/(m²K) or 3 m/s
air flow.



Thermal and Electromagnetics simulation – Part # EK55246-221M-50AH – Current rated 50A @ 10kHz



Thermal and Electromagnetics simulation – Part # EK55246-221M-50AH – Current rated 50A @ 10kHz



Abbreviations

Ld : Current rated Amps
Ar : Airflow
W/m².K : Watts / Sq meter .Kelvin – Heat Convection rate
m/s : Meter/ Second - Airflow
degC : Temperature in Deg C
T : Tesla – Magnetic Flux density
Temp : Temperature
Temp max: Temperature Maximum
Amb : Ambient Temperature
Amps : Ampere Load current.
Slice : Sectional view