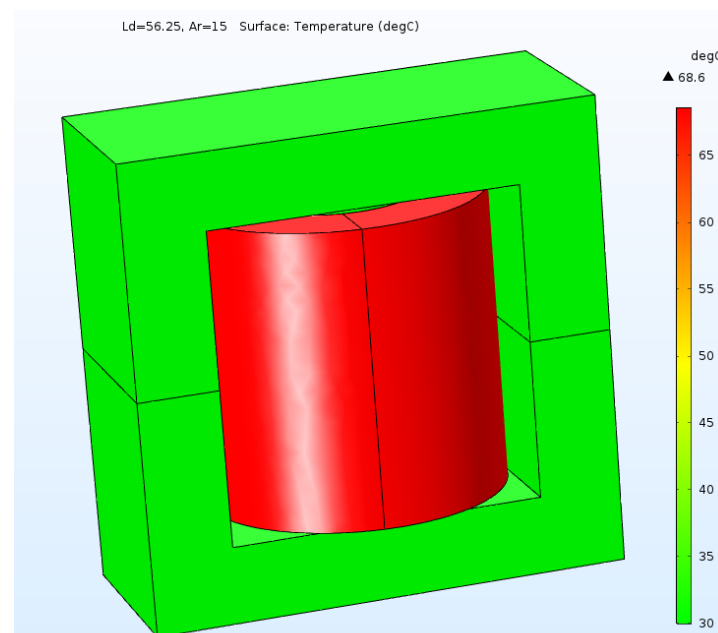
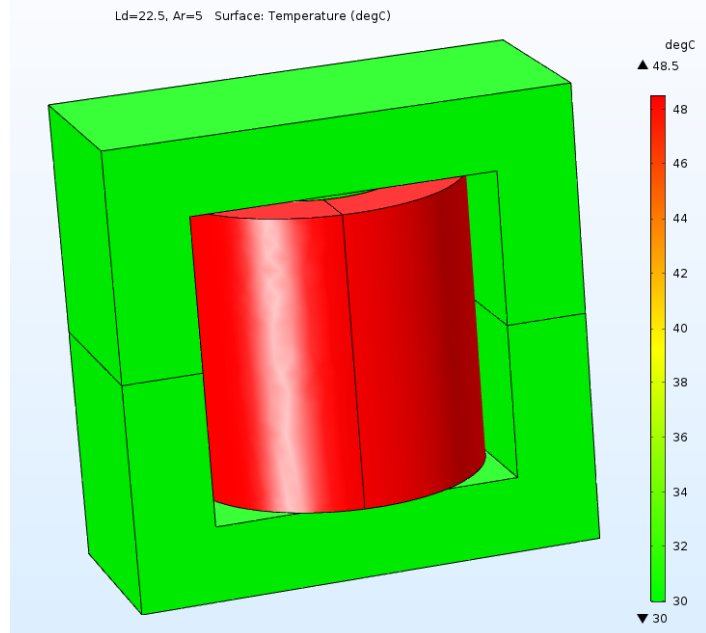
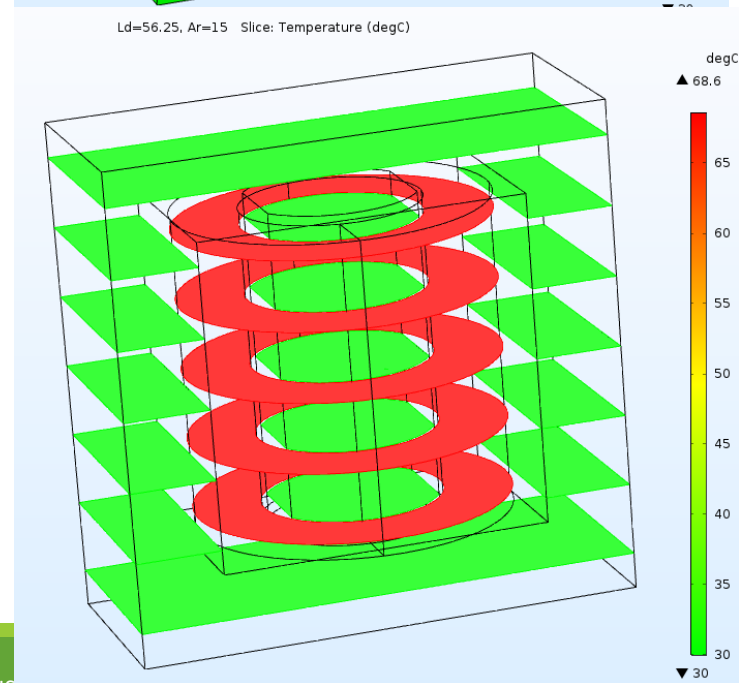
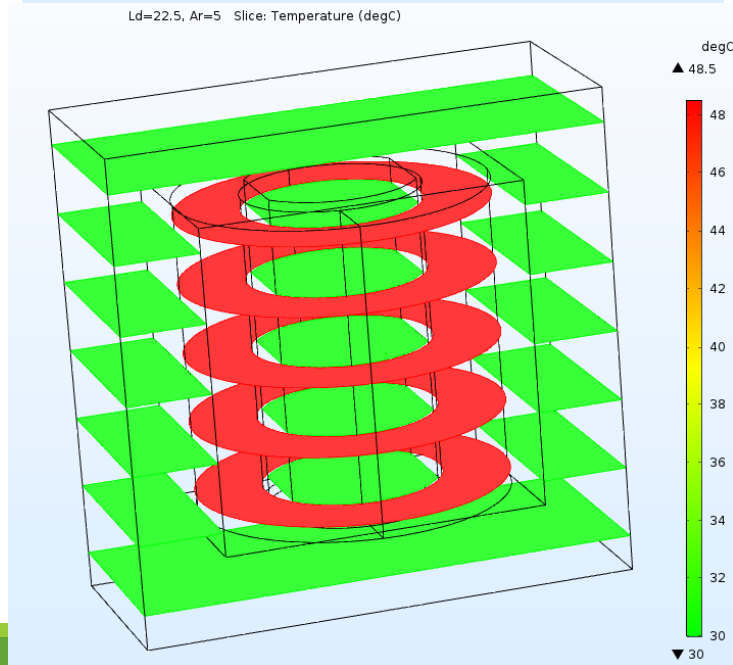


Thermal and Electromagnetics simulation – Part # ES55206-800M-75AH – Current rated 75A @ 10kHz

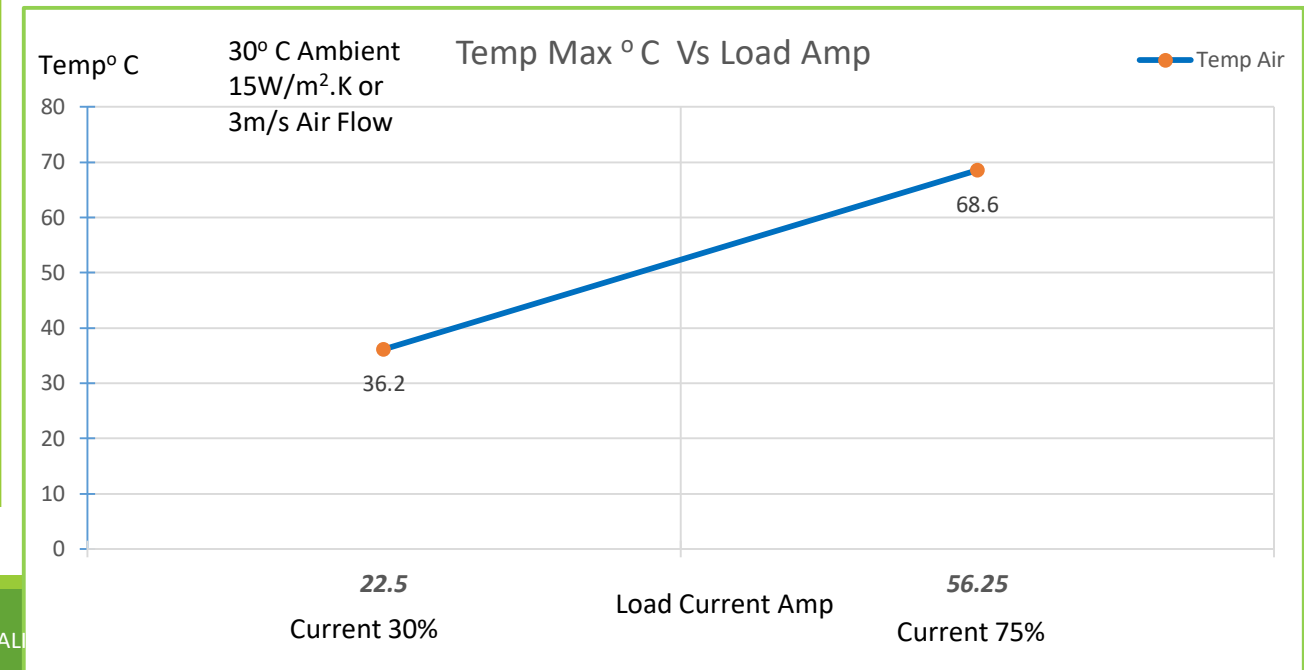
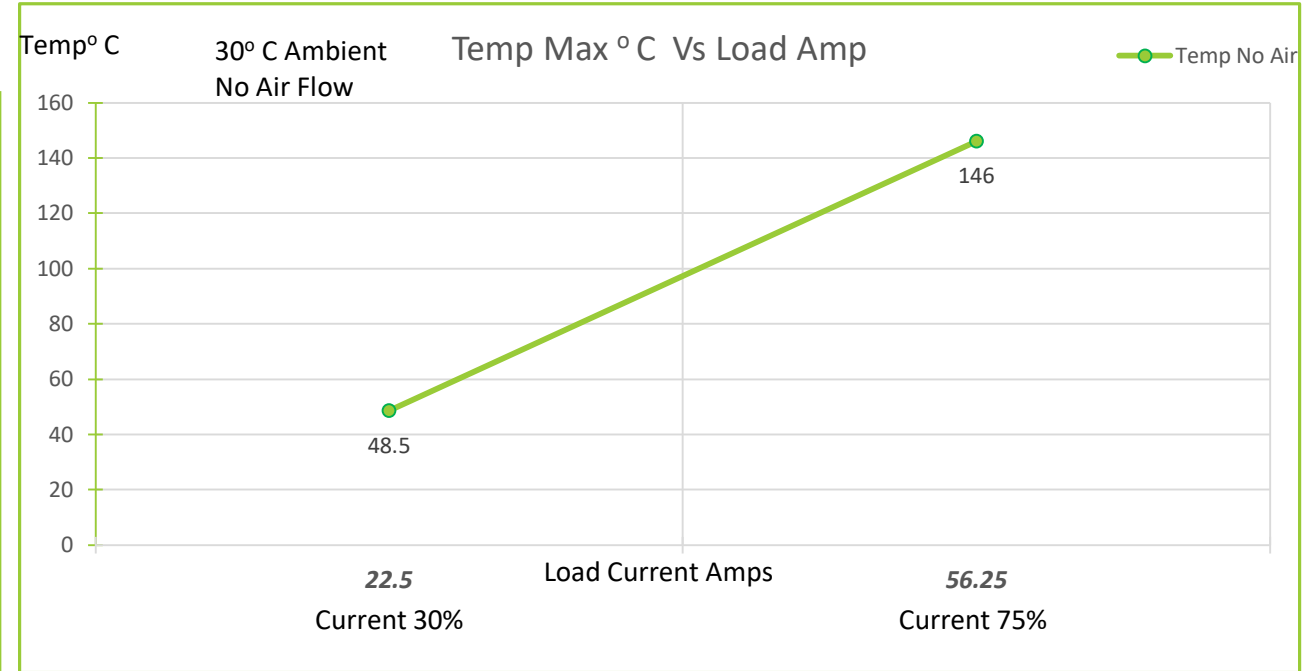
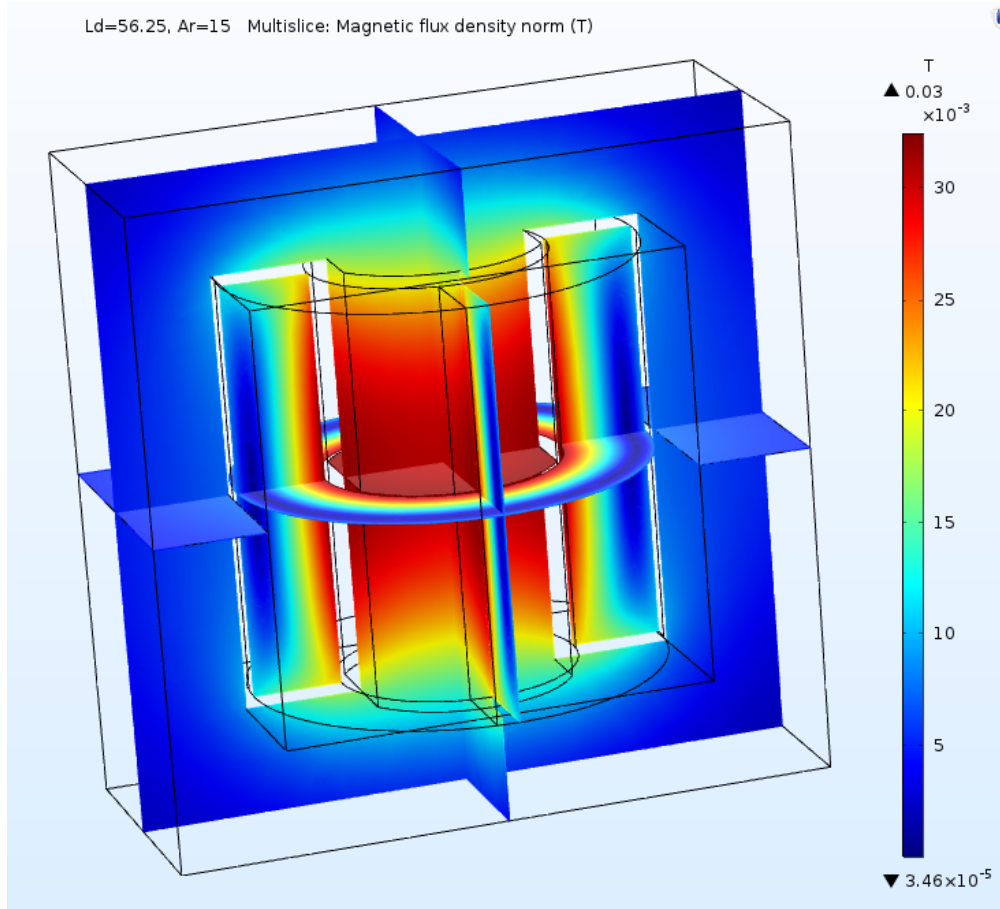
Current 30% (22.5 A)
No Airflow
Natural convection



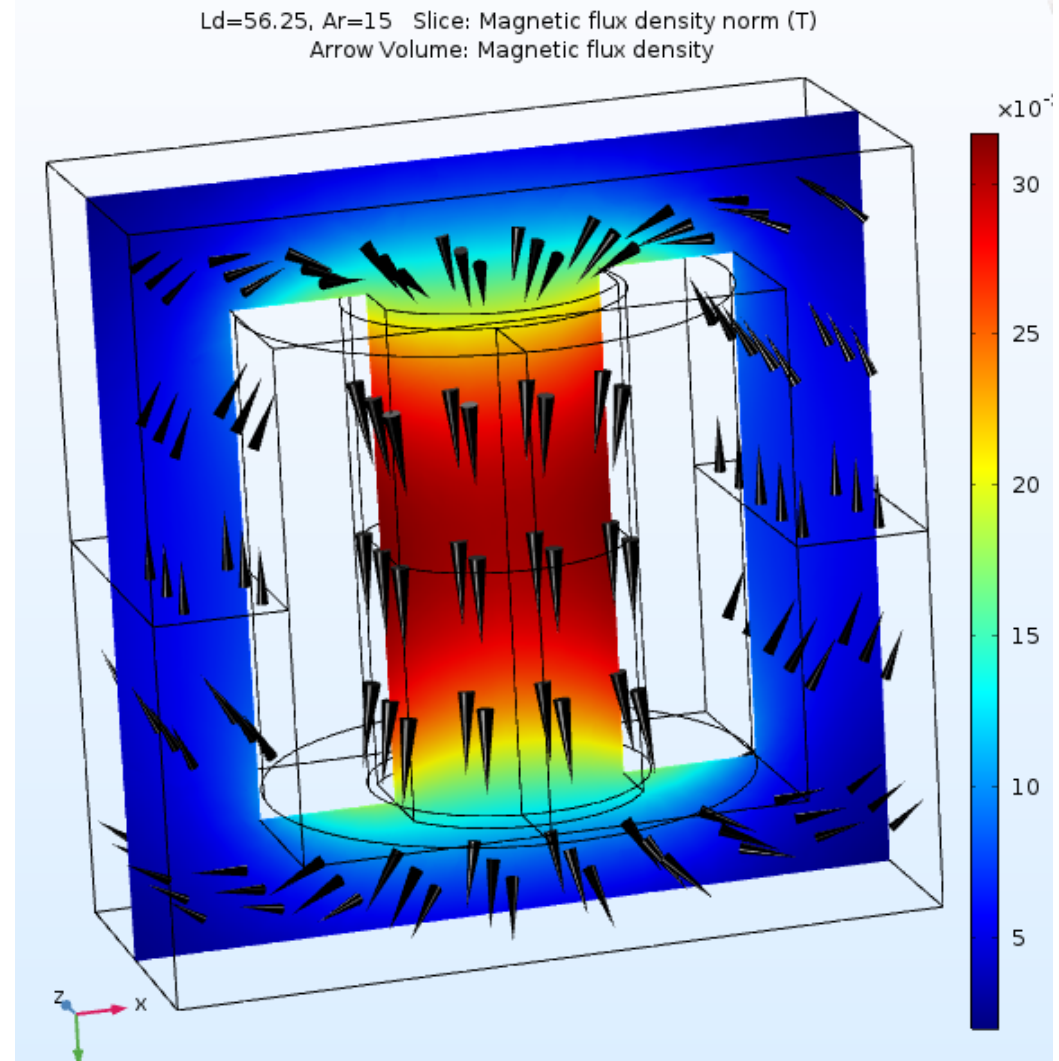
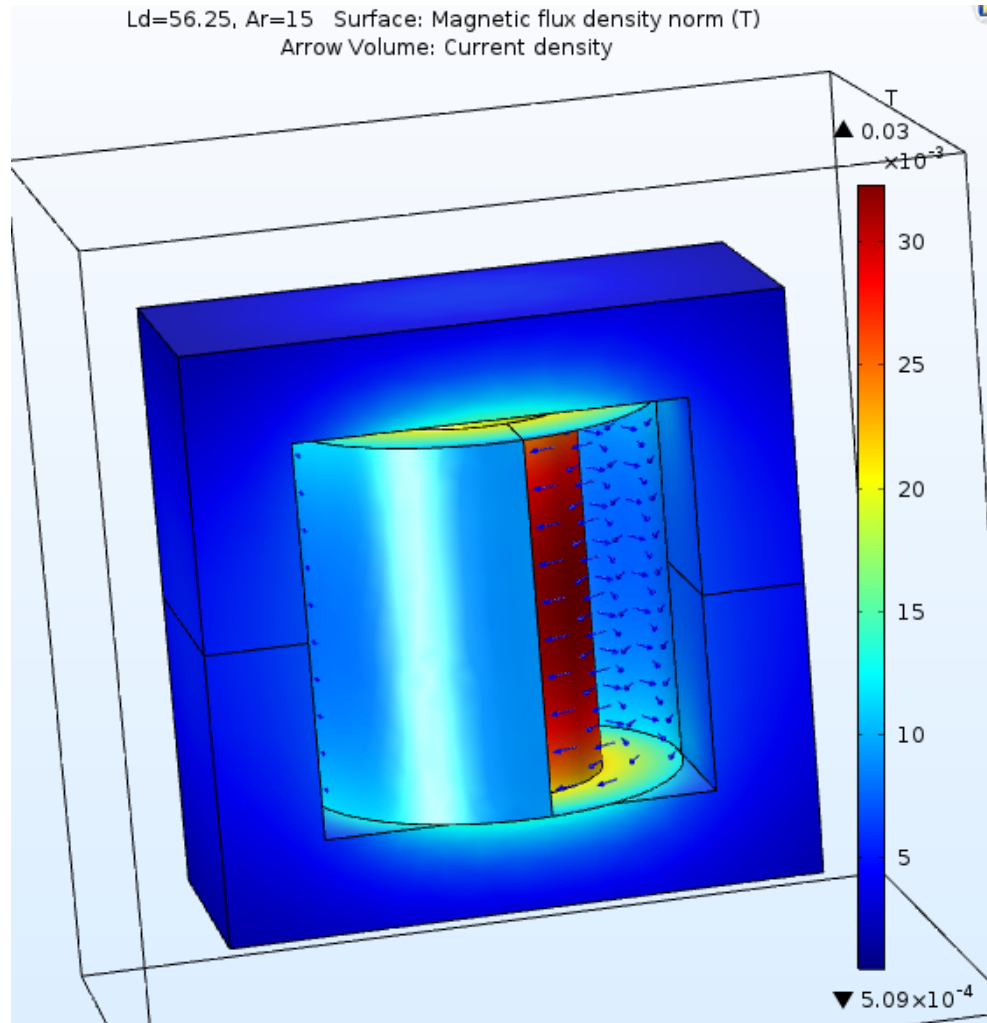
Current 75% (56.25 A)
15 W/(m²K) or 3 m/s
airflow.



Thermal and Electromagnetics simulation – Part # ES55206-800M-75AH – Current rated 75A @ 10kHz



Thermal and Electromagnetics simulation – Part # ES55206-800M-75AH – Current rated 75A @ 10kHz



Abbreviations

| | |
|---------------------|---|
| Ld | : Current rated Amps |
| Ar | : Airflow |
| W/m ² .K | : Watts / Sq meter .Kelvin – Heat Convection rate |
| m/s | : Meter/ Second - Airflow |
| degC | : Temperature in Deg C |
| T | : Tesla – Magnetic Flux density |
| Temp | : Temperature |
| Temp max: | Temperature Maximum |
| Amb | : Ambient Temperature |
| Amps | : Ampere Load current. |
| Slice | : Sectional view |