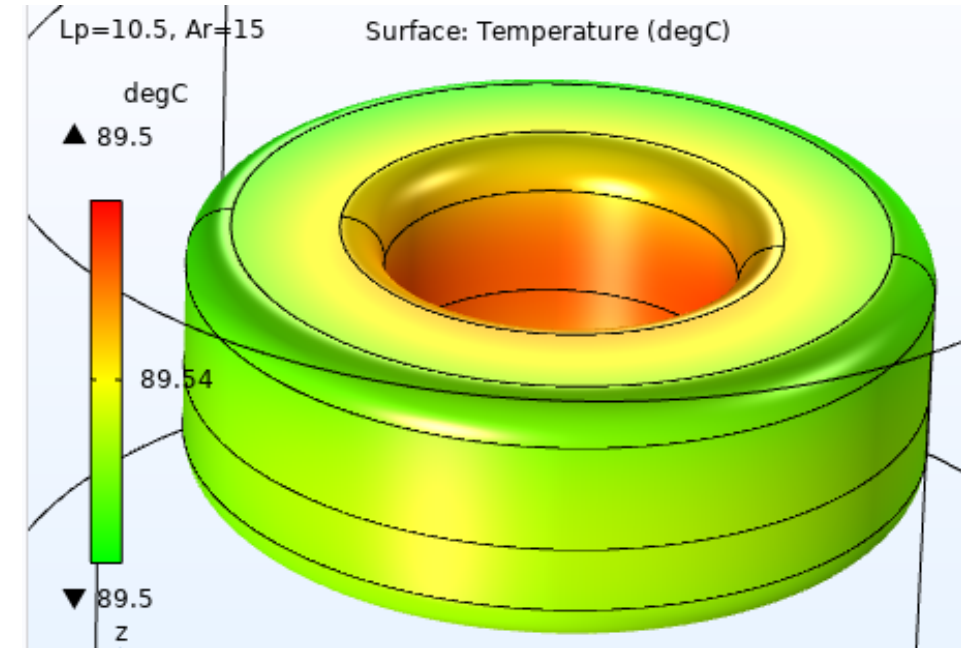
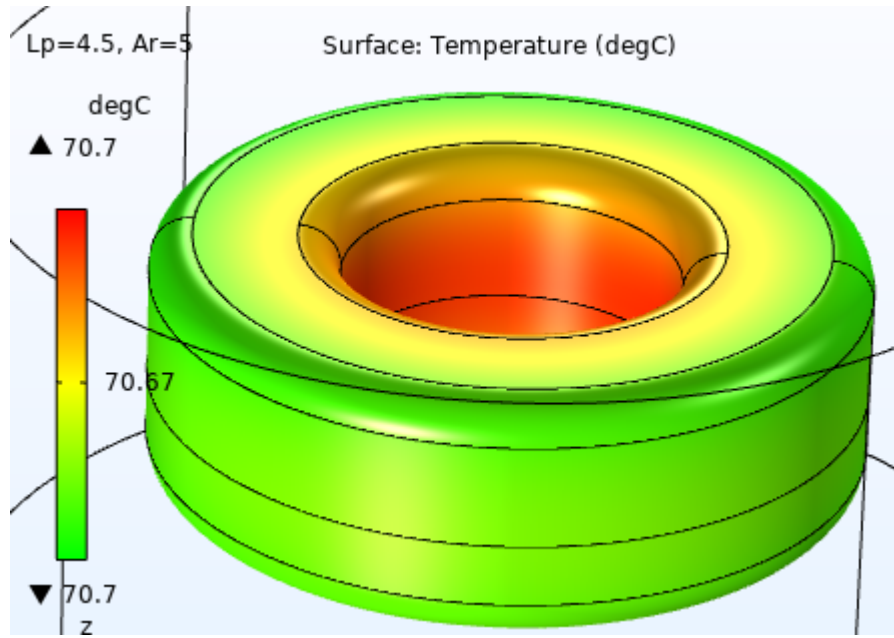
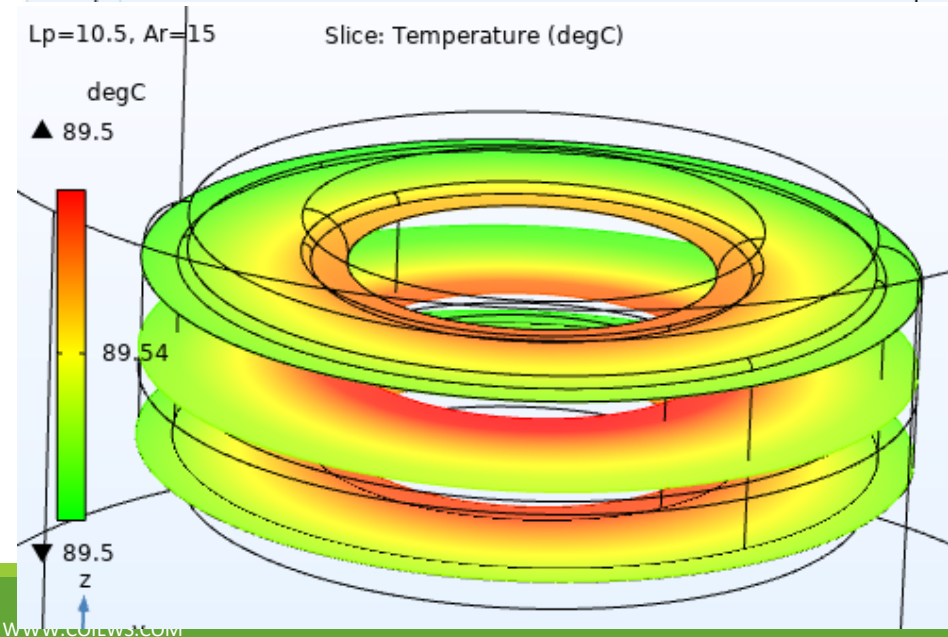
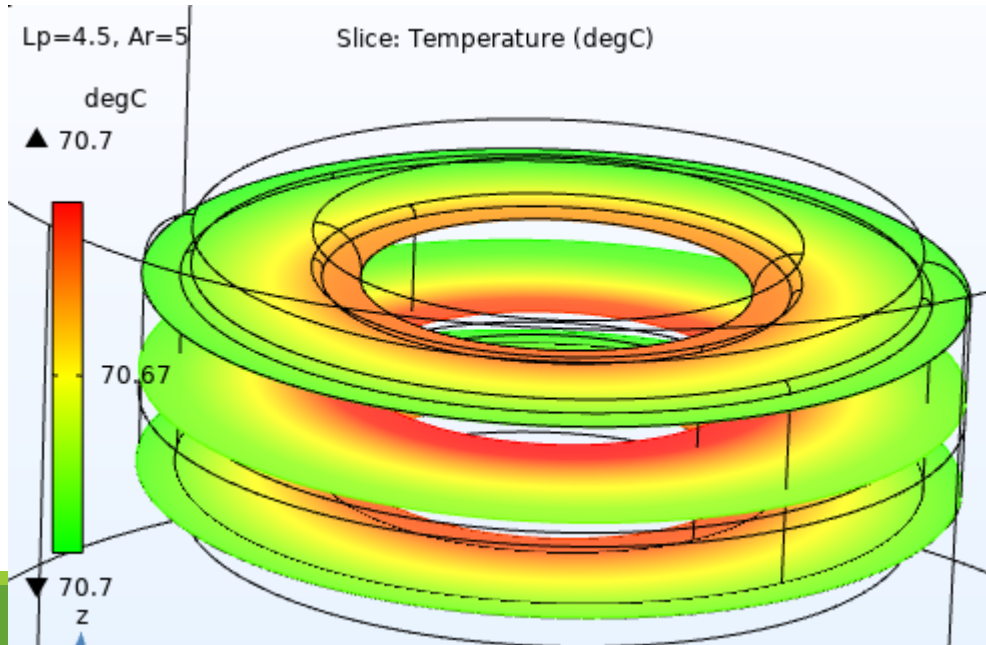


Thermal and Electromagnetics simulation – Part # HF358-101M-15AH – Current rated 15A @ 1kHz

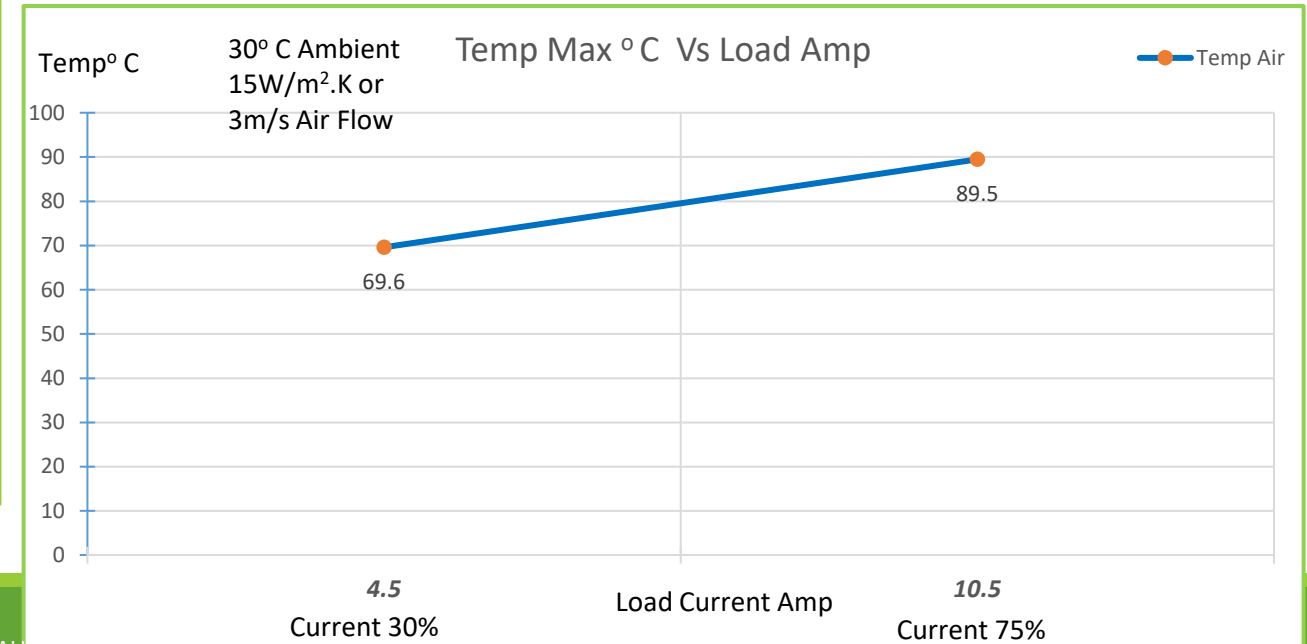
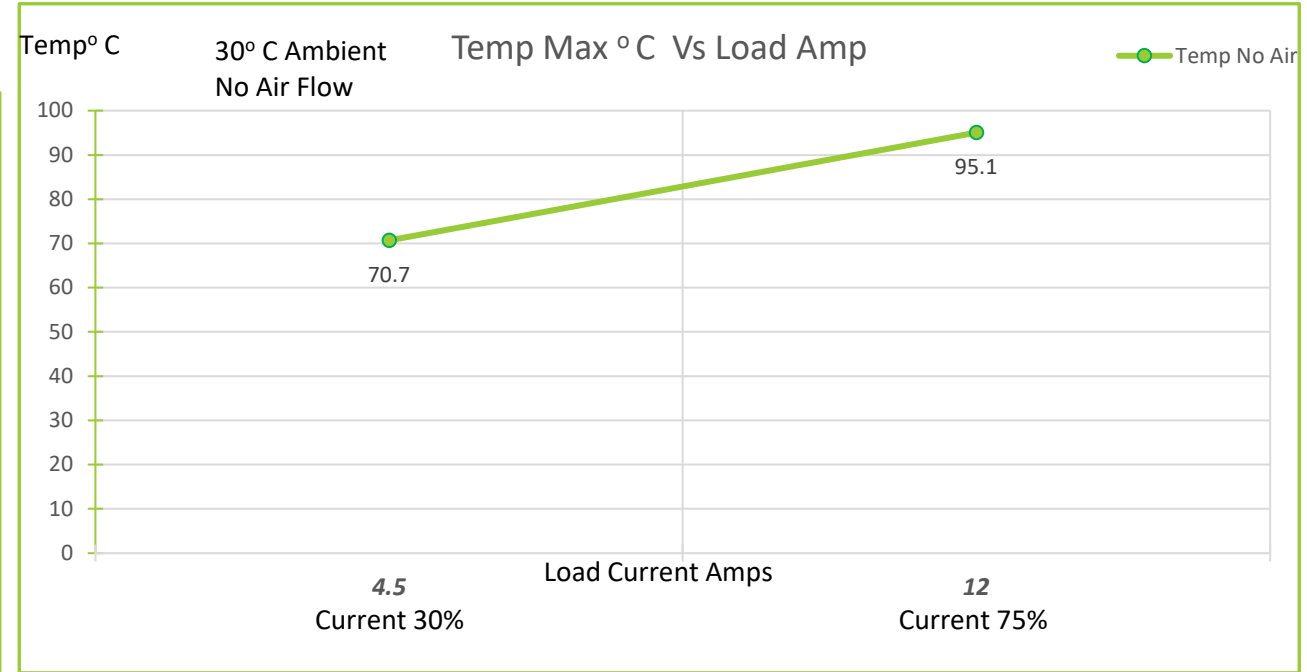
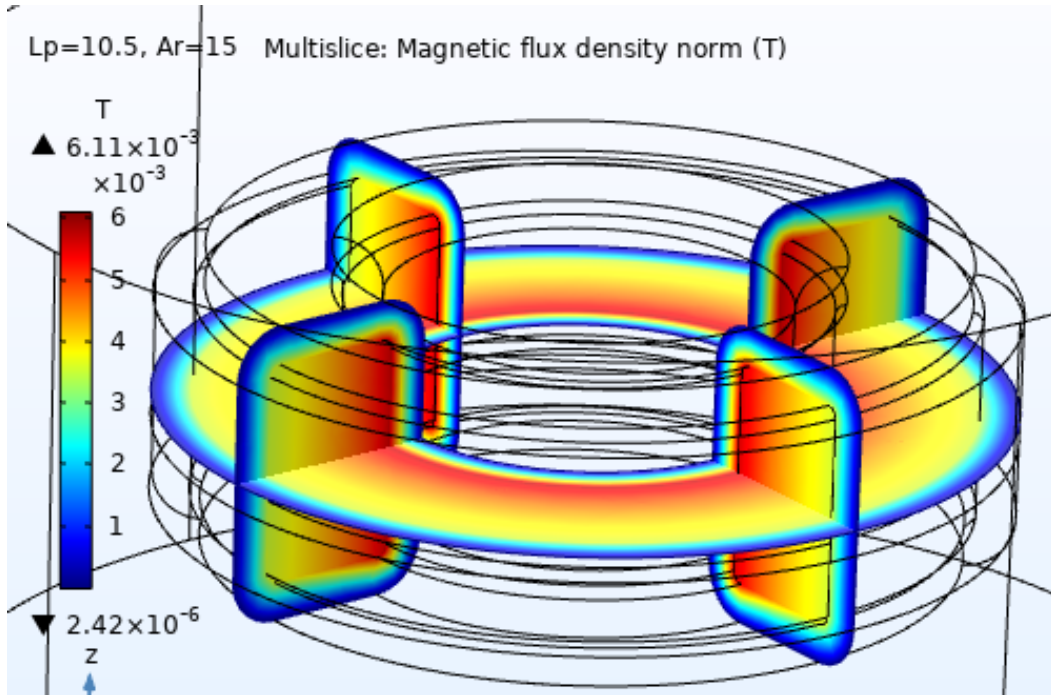
Current 30% (4.5)
No Airflow
Natural convection



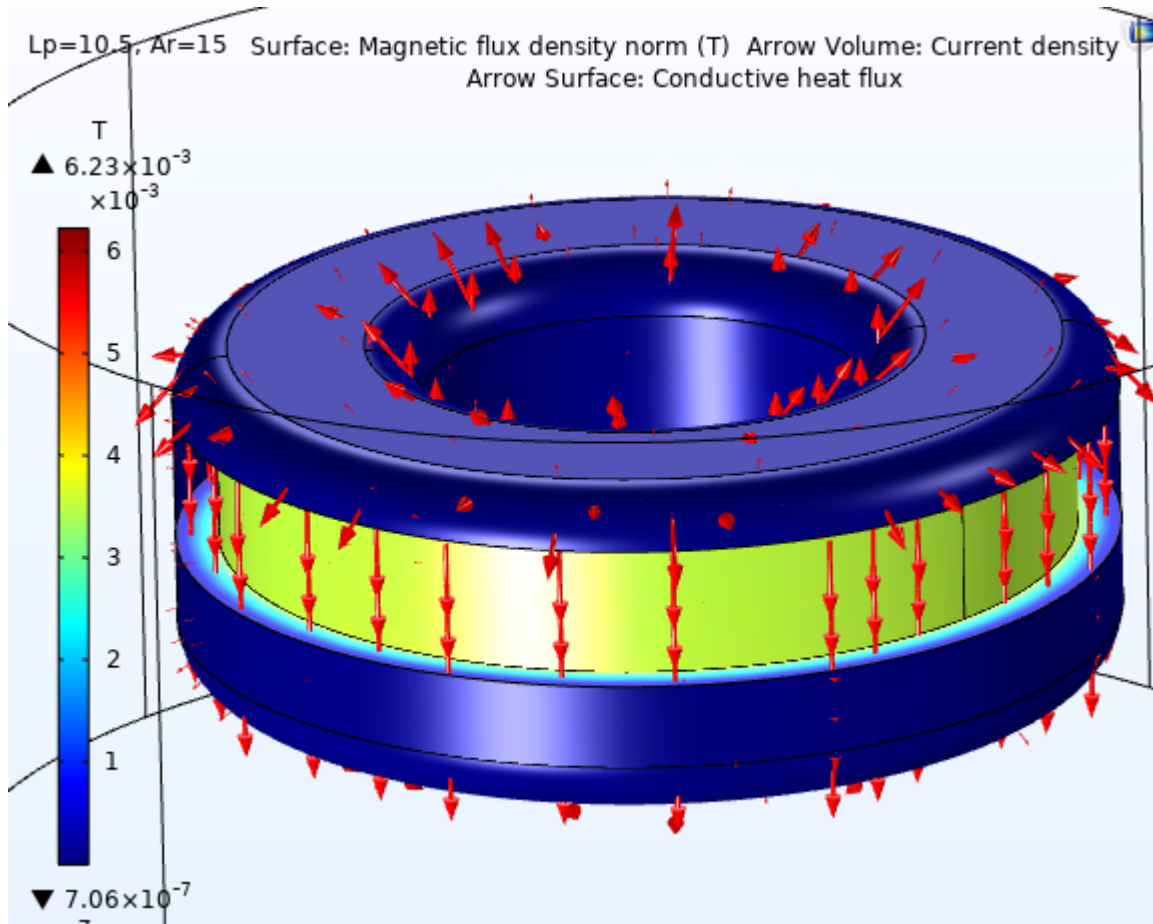
Current 70%
(10.5A)
15 W/(m²K) or 3
m/s air flow.



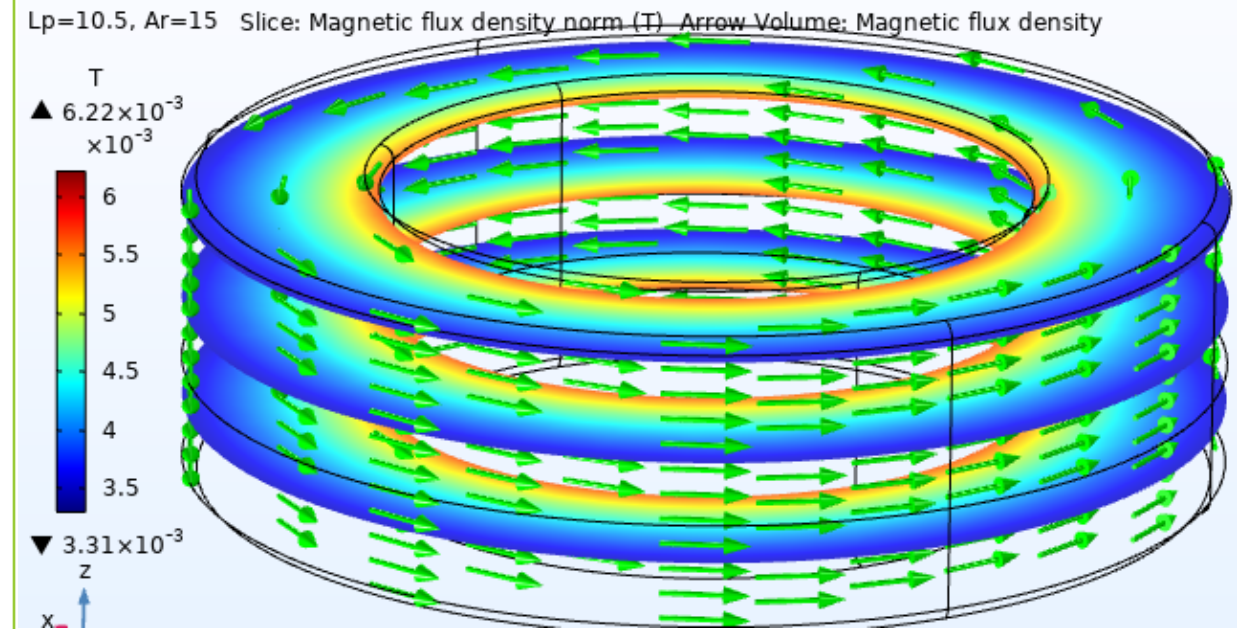
Thermal and Electromagnetics simulation – Part # HF358-101M-15AH – Current rated 15A @ 1kHz



Magnetics Flux in Coil



Magnetic Flux in Core



Abbreviations

Ld	: Current rated Amps
Ar	: Airflow
W/m ² .K	: Watts / Sq meter .Kelvin – Heat Convection rate
m/s	: Meter/ Second - Airflow
degC	: Temperature in Deg C
T	: Tesla – Magnetic Flux density
Temp	: Temperature
Temp max:	Temperature Maximum
Amb	: Ambient Temperature
Amps	: Ampere Load current.
Slice	: Sectional view

Note : For the modeling purpose the winding is considered as homogenous multilayer winding .

Disclaimer :

- Simulation MODEL is an effective tool for evaluating product performance by simulation; however, it does not simulate product performance in all test environments and is not intended to be a replacement for testing of the actual device by means of a test board or otherwise.
- Simulation results are for reference purposes only; CUSTOMER shall perform thorough testing using the actual device.