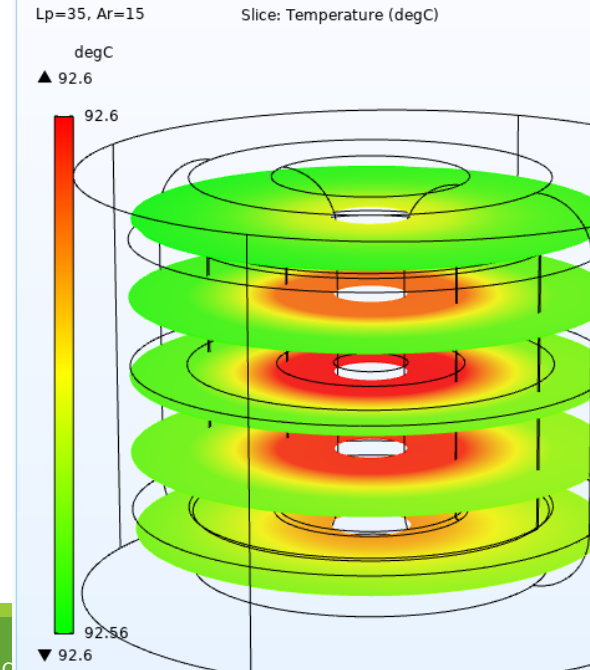
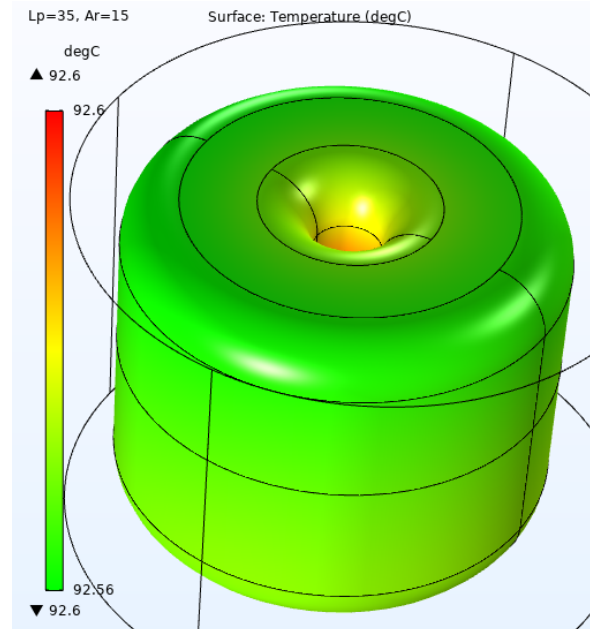
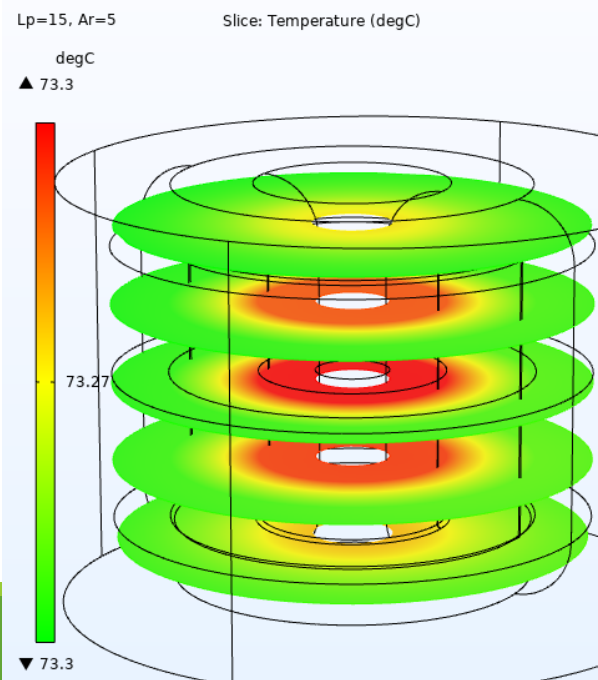
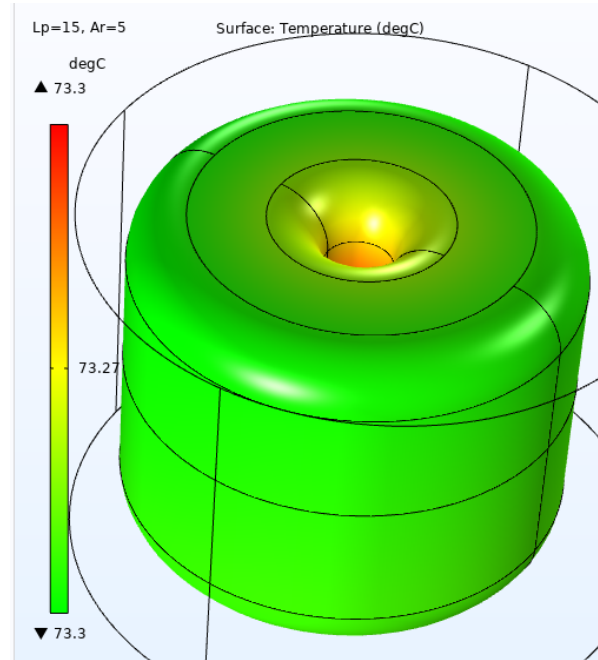


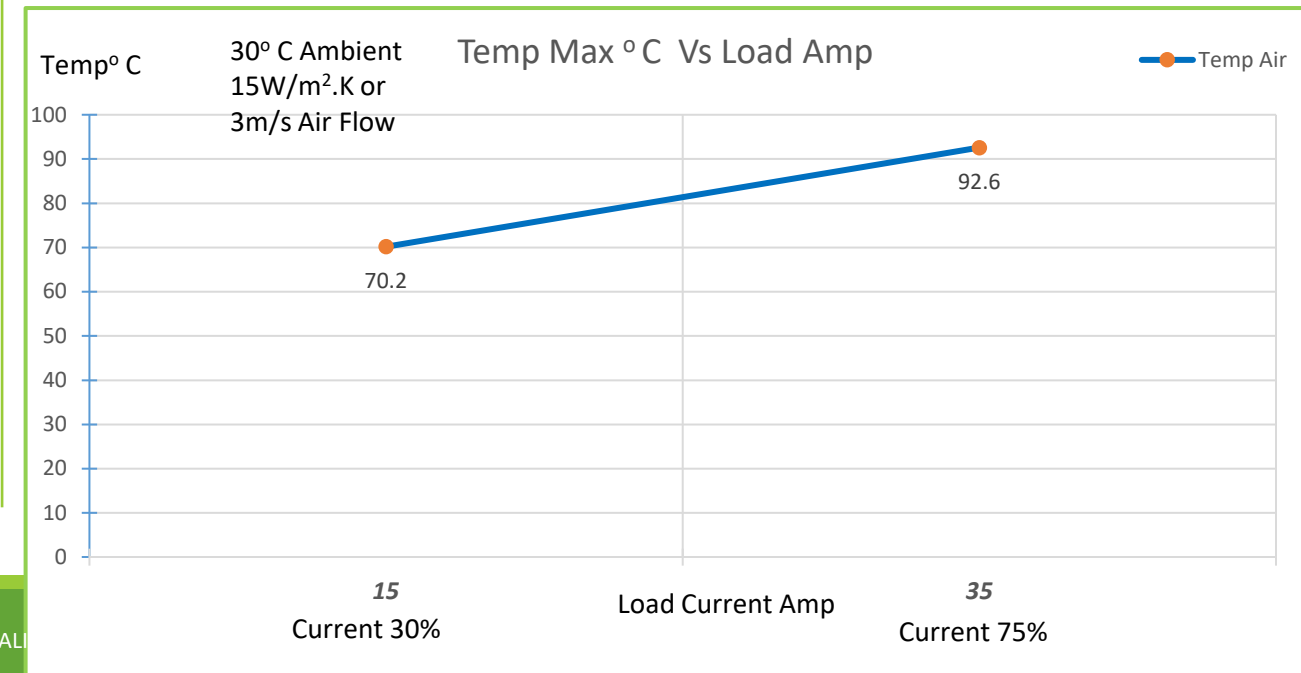
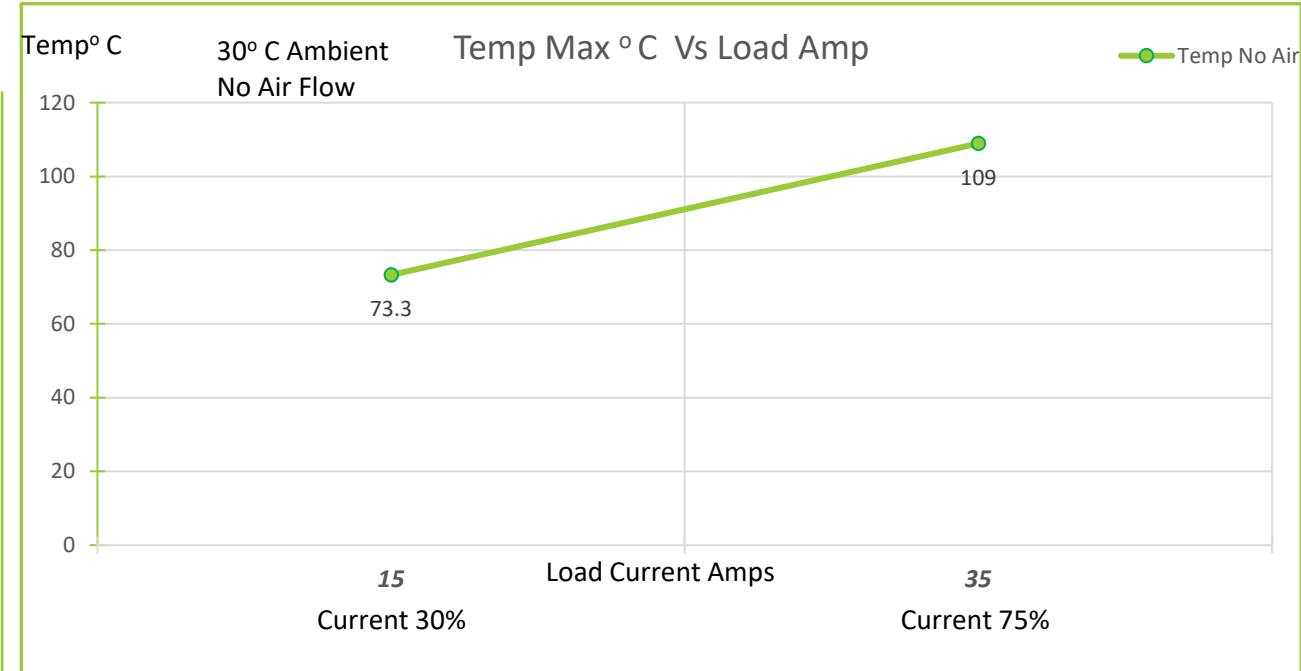
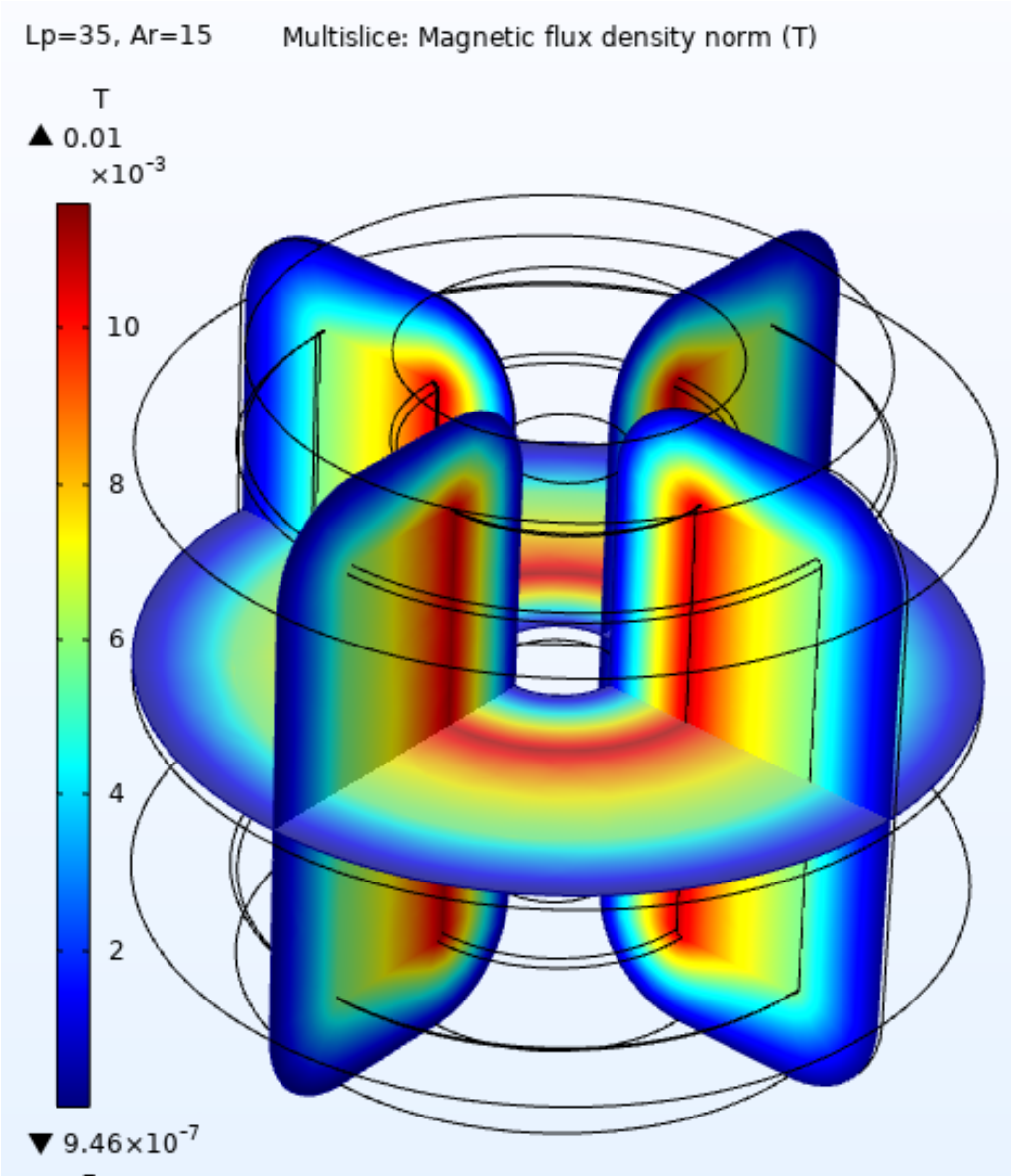
Thermal and Electromagnetics simulation – Part # HF4672-101M-50AH– Current rated 50A @ 1kHz

Current 30%
(15A)
No Airflow
Natural
convection



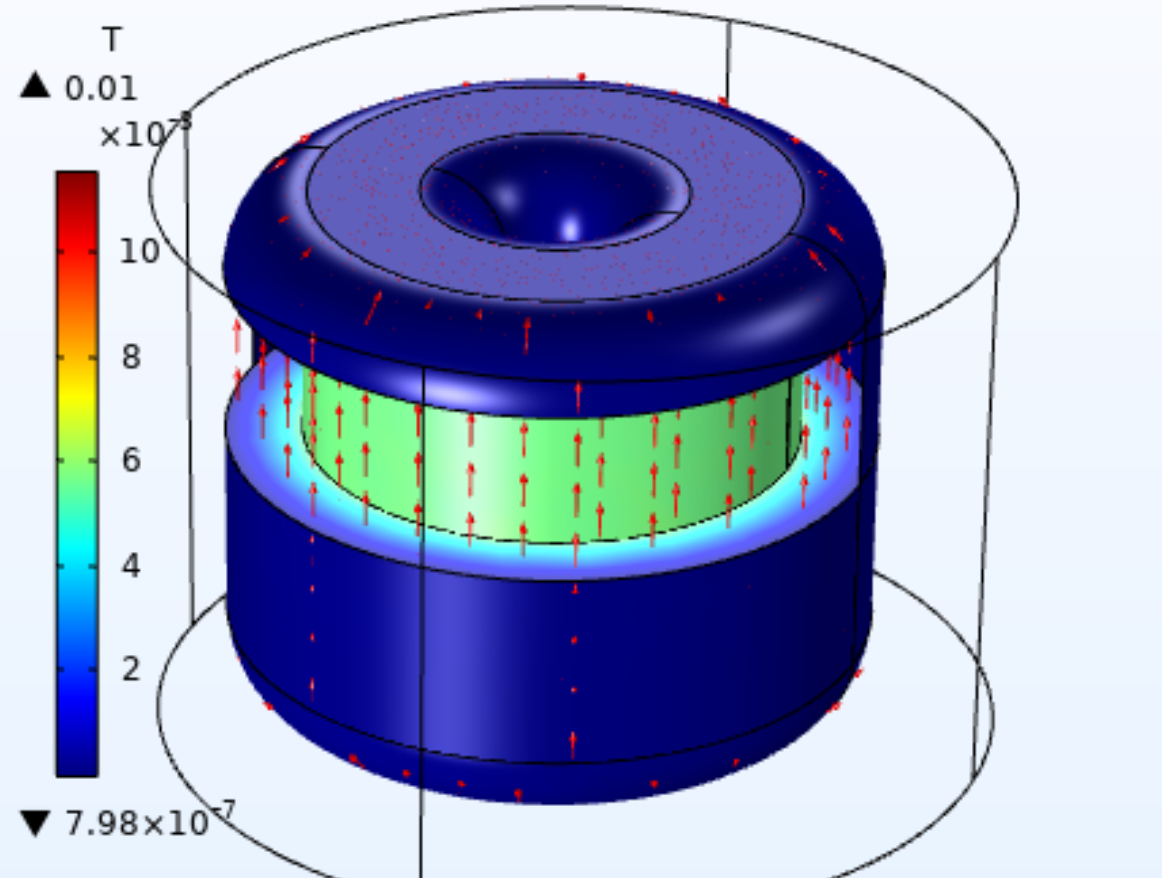
Current 70%
(35A)
15 W/(m²K) or
3 m/s air flow.

Thermal and Electromagnetics simulation -- Part # HF4672-101M-50AH-- Current rated 50A @ 1kHz



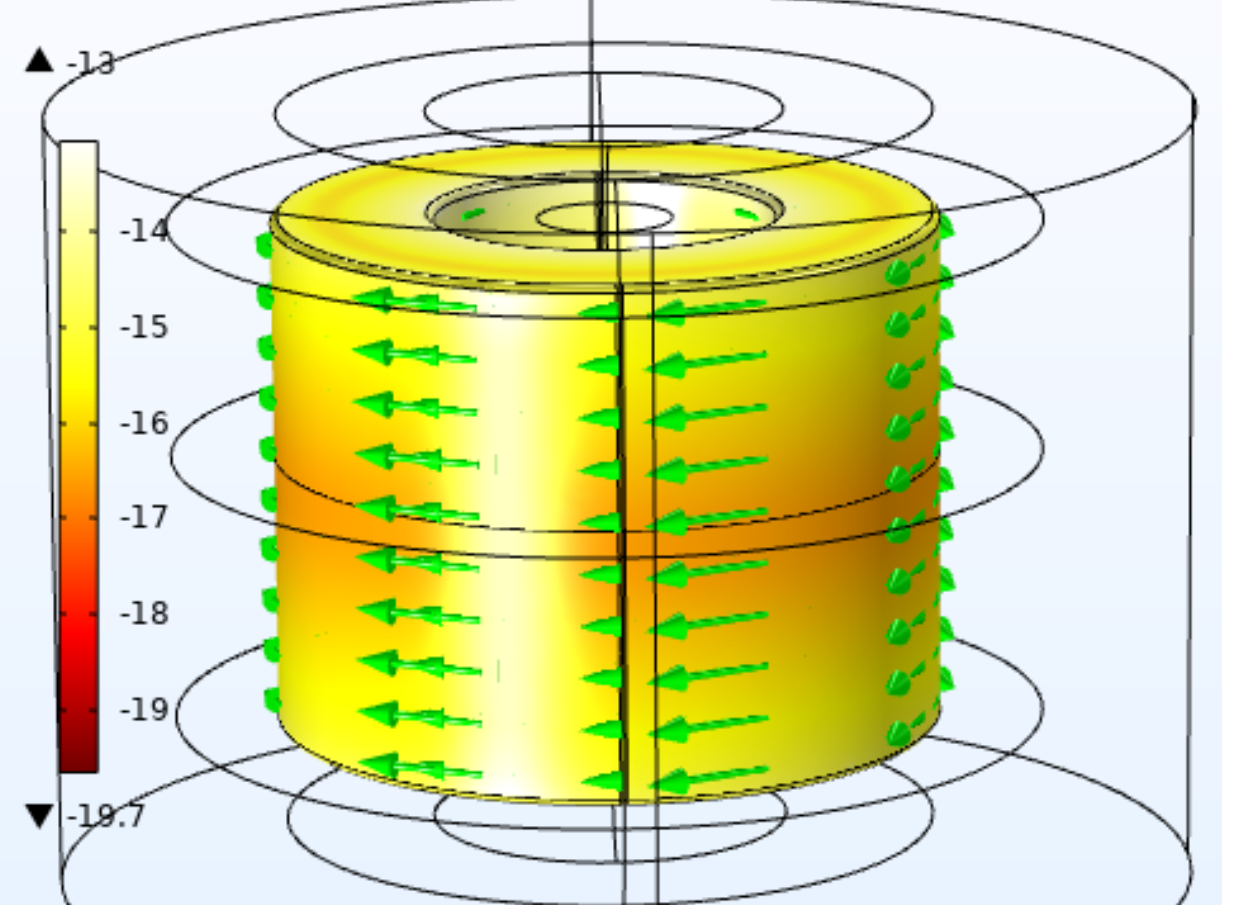
Magnetics Flux in Coil

Lp=35, Ar=15 Surface: Magnetic flux density norm (T) Arrow Volume:
Arrow Surface: Conductive heat flux



Magnetic Flux in Core

Lp=35, Ar=15 Arrow Volume: Magnetic flux density Volume: log(mf.norm)



Abbreviations

Ld	: Current rated Amps
Ar	: Airflow
W/m ² .K	: Watts / Sq meter .Kelvin – Heat Convection rate
m/s	: Meter/ Second - Airflow
degC	: Temperature in Deg C
T	: Tesla – Magnetic Flux density
Temp	: Temperature
Temp max:	Temperature Maximum
Amb	: Ambient Temperature
Amps	: Ampere Load current.
Slice	: Sectional view

Note : For the modeling urpose the winding is considered as Homogeneous winding layer.

Disclaimer :

- Simulation MODEL is an effective tool for evaluating product performance by simulation; however, it does not simulate product performance in all test environments and is not intended to be a replacement for testing of the actual device by means of a test board or otherwise.
- Simulation results are for reference purposes only; CUSTOMER shall perform thorough testing using the actual device.