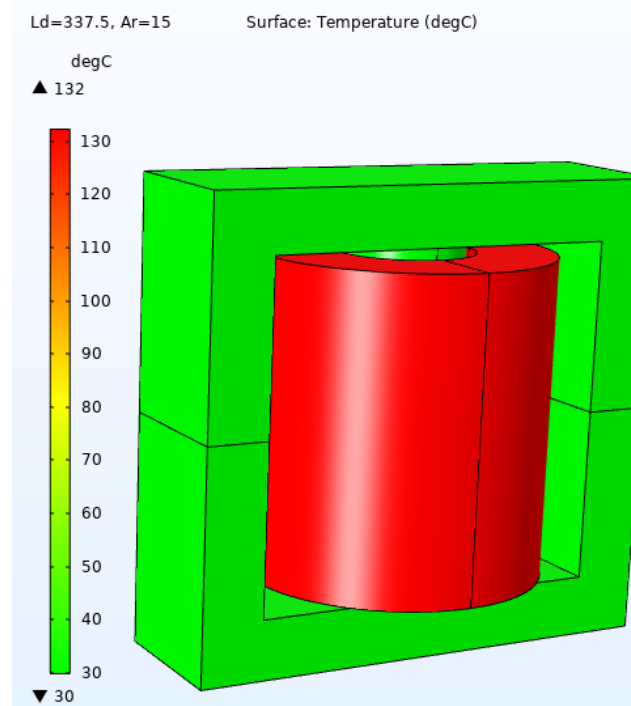
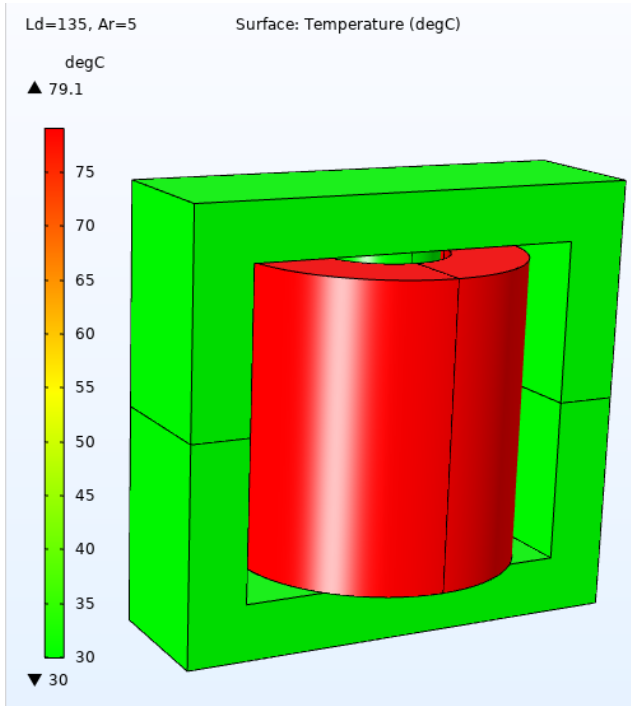
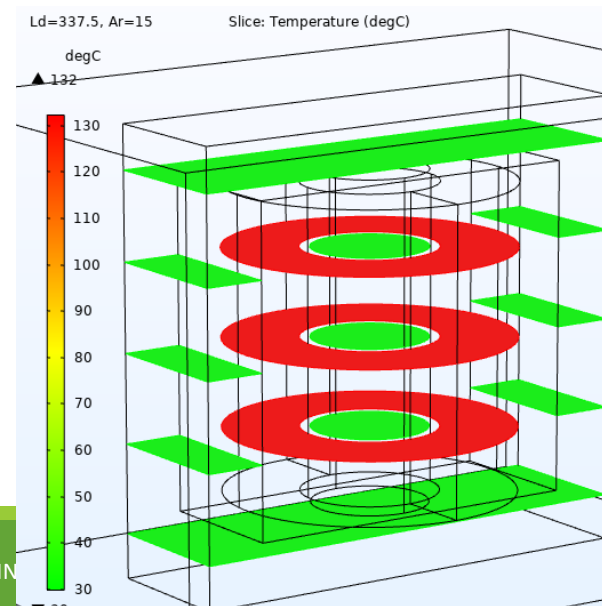
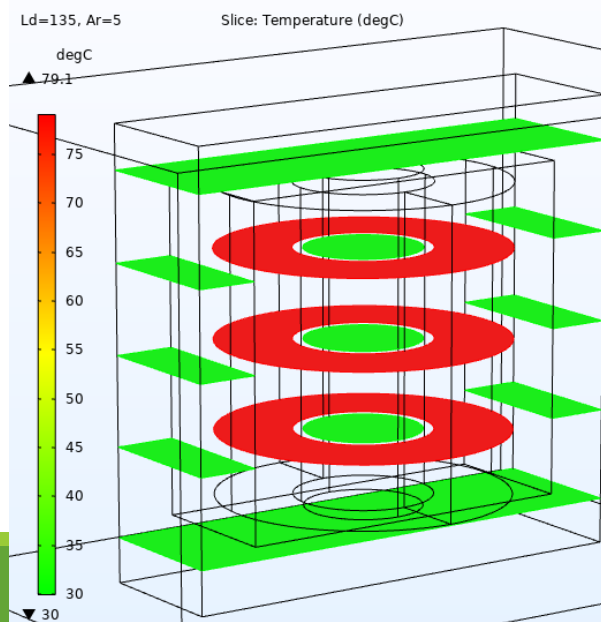


Thermal and Electromagnetics simulation – Part # LCEK38A21-120M-450AV– Current rated 450A @ 10kHz

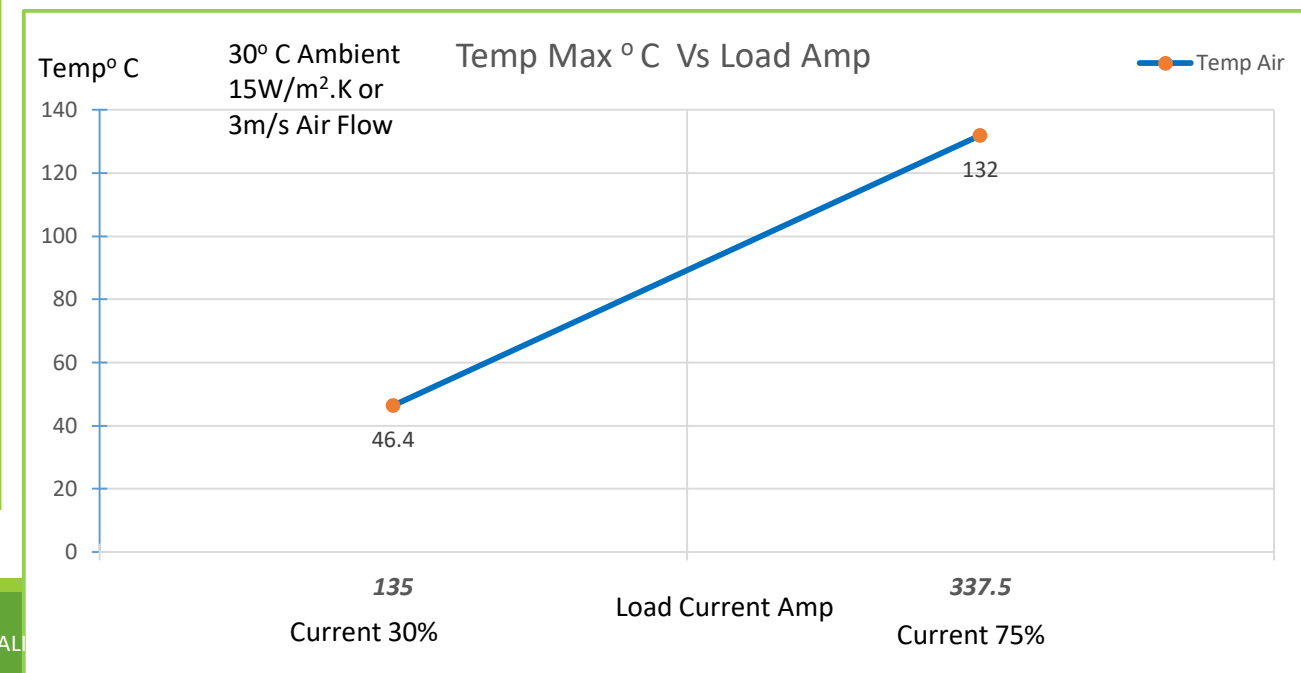
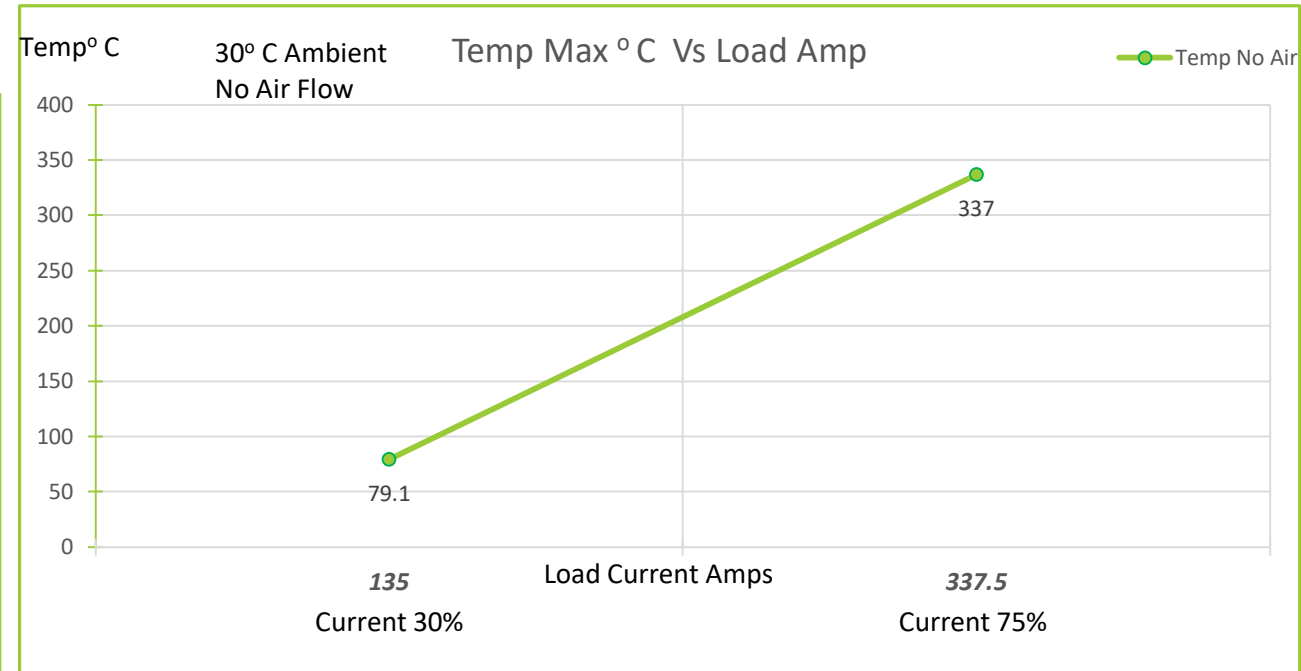
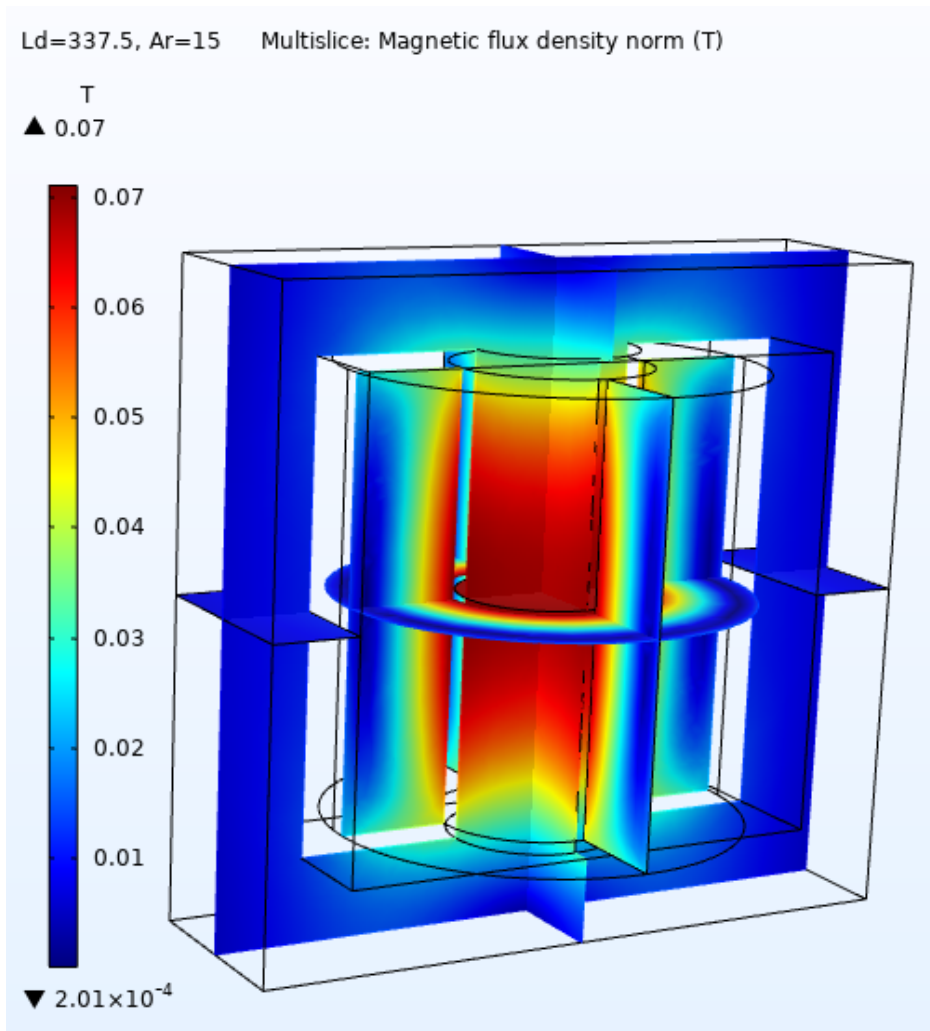
Current 30% (135A)
No Airflow
Natural convection

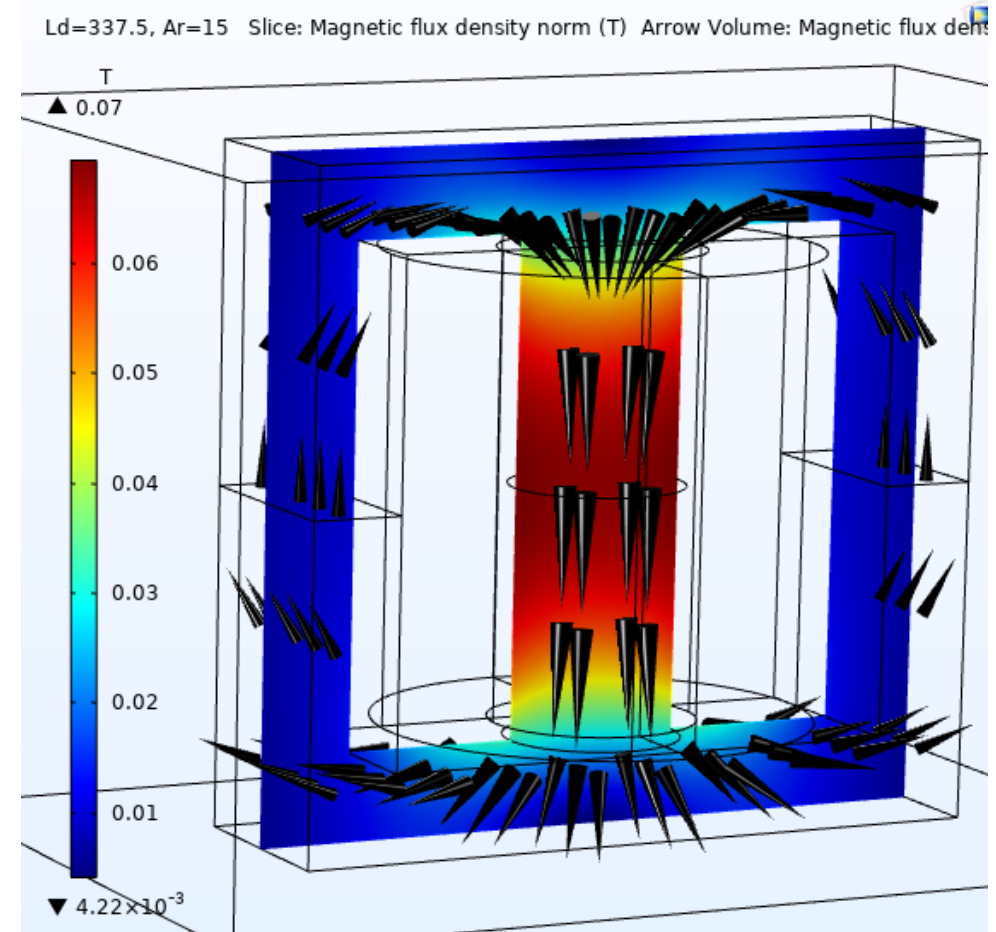
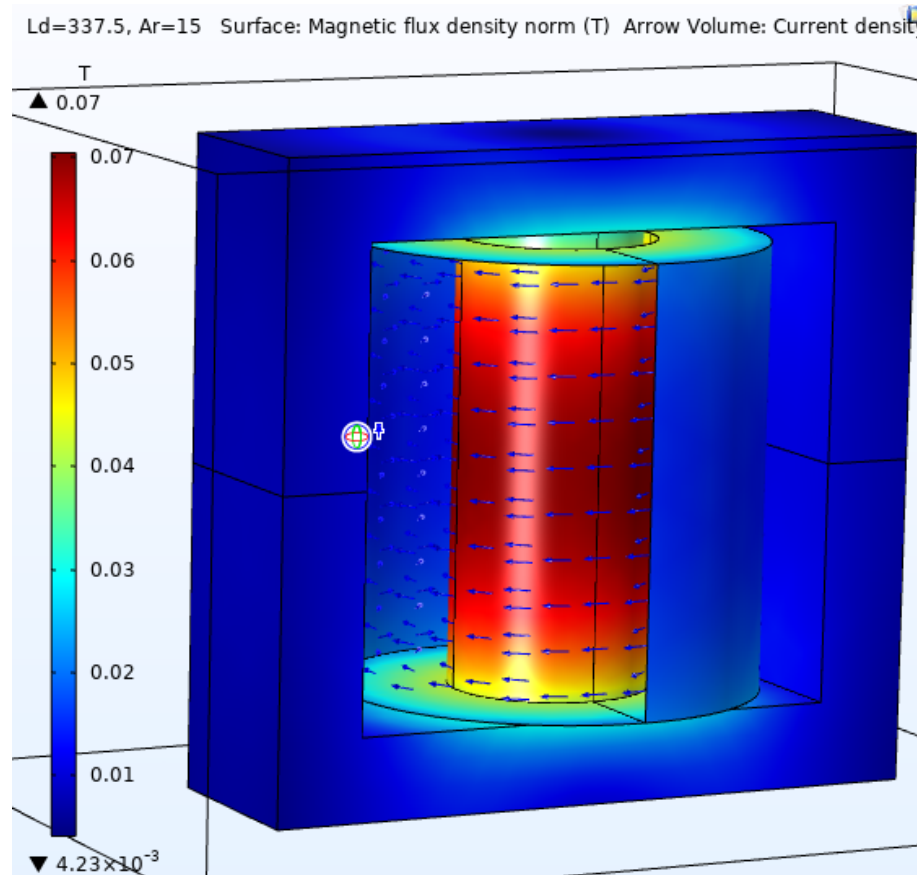


Current 75% (337.5A)
15 W/ (m²K) or 3 m/s
air flow.



Thermal and Electromagnetics simulation – Part # LCEK38A21-120M-450AV– Current rated 450A @ 10kHz





Abbreviations

| | |
|---------------------|---|
| Ld | : Current rated Amps |
| Ar | : Airflow |
| W/m ² .K | : Watts / Sq meter .Kelvin – Heat Convection rate |
| m/s | : Meter/ Second - Airflow |
| degC | : Temperature in Deg C |
| T | : Tesla – Magnetic Flux density |
| Temp | : Temperature |
| Temp max: | Temperature Maximum |
| Amb | : Ambient Temperature |
| Amps | : Ampere Load current. |
| Slice | : Sectional view |

Disclaimer :

- Simulation MODEL is an effective tool for evaluating product performance by simulation; however, it does not simulate product performance in all test environments and is not intended to be a replacement for testing of the actual device by means of a test board or otherwise.
- Simulation results are for reference purposes only; CUSTOMER shall perform thorough testing using the actual device.