

DIMENSIONAL TOLERANCE INCHES [MM]						
A(WIDTH) Max	B(HIGHT) Max	C(LEAD) Min	D(LEAD DIM) TYP	E (Min/Max)	P1 Ref	P2 Ref
1.97 [50.0]	1.26 [32.0]	0.5 [12.7]	0.06x0.12 [1.45x2.9]		1.36 [34.6]	1.36 [34.6]

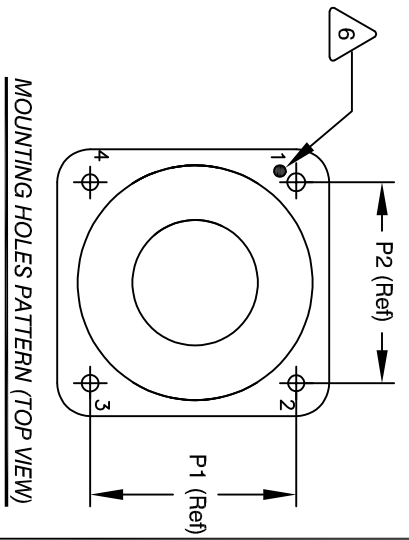
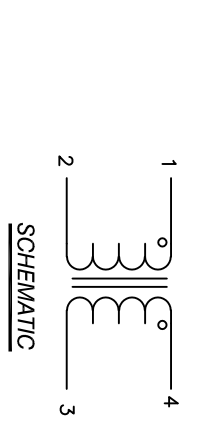
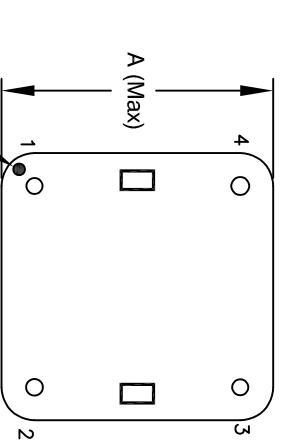
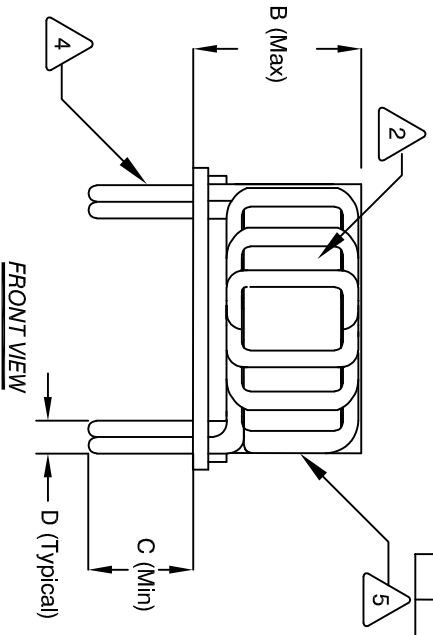
REVISION HISTORY						
REV	ECN	DESCRIPTION	BY	DATE	CHK	DATE
B	2	ELECTRICAL DIMENSION UPDATES	AK	04/16/12	JLJU	04/16/12
B1	02212024	ADDED WHITE DOT FOR PIN #1 IDENTIFICATION	TN	02/26/24	JL	02/26/24

- 7 BUILT TO ROHS COMPLIANCE AND LEAD FREE.
- AS SHOWN ON THE TOP AND BOTTOM VIEWS,  
MARK WITH A WHITE DOT FOR PIN #1 IDENTIFICATION
- 6 MARK PART NUMBER AND REVISION IF APPLICABLE.
- 5 TIN LEADS APPROX. 0.5 INCH AND FLUSH WITH THE COIL EDGE.

- WEIGHT = 135 GRAMS
- OPERATING TEMP RANGE = -25 °C TO 120°C
- MAX TEMP RISE = 40 °C
- INTERWINDING ISOLATION = 2000 VOLTS RMS.
- DCR ON EACH WINDING = 10.0 mΩ MAX.
- SRF = 355 KHz TYP
- RATED VOLTAGE = 750 VAC OR VDC
- RATED CURRENT = 24 AMPS
- LEAKAGE INDUCTANCE = 14.7 uH TYP @ 10 KHz, 1 Vrms.
- INTERWINDING CAPACITANCE = 8.84pF TYP @ 10KHz.
- IMPEDANCE = 8.4 kΩ NOM @ SRF
- L = 20 mH MIN @ 1 KHz, 1 Vrms, 0 ADC
- INSULATION RESISTANCE = 100 MEGA-OHMS MIN. @ 500 VDC
- 3 SPECIFICATIONS AT 25°C:

- 2 WIRE: UL RECOGNIZED 200°C RATED MAGNET WIRE
- CWS BYTEMARK OR OTHER APPROVED PART
- CORE: NANOCRYSTALLINE OR AMORPHOUS CORE
- BOBBIN RATING CLASS B (200°) REQUIRED
- 1 MATERIAL: UL RECOGNIZED 94V-0 FOR FLAMMABILITY

NOTES: UNLESS OTHERWISE SPECIFIED, READ NOTES FROM BOTTOM UP.



QTY	CODE IDENT	MFG. P/N	DESCRIPTION	ITEM NO.
			<b>PARTS LIST</b>	
			<b>AUTOCAD</b>	
			<b>SOLIDWORKS</b>	
			<b>SIGN</b>	
			<b>DATE</b>	
			<b>DRAWN</b>	
			<b>RLAU</b>	
			<b>DATE</b>	
			<b>REGRD</b>	
			<b>AK</b>	
			<b>DATE</b>	
			<b>ENGR.</b>	
			<b>JLJU</b>	
			<b>DATE</b>	
			<b>APPR.</b>	
			<b>JLJU</b>	
			<b>DATE</b>	
			<b>SCALE</b>	
			<b>B</b>	
			<b>SIZE (MM, IN)</b>	
			<b>2=1</b>	
			<b>SHEET 1 OF 1</b>	