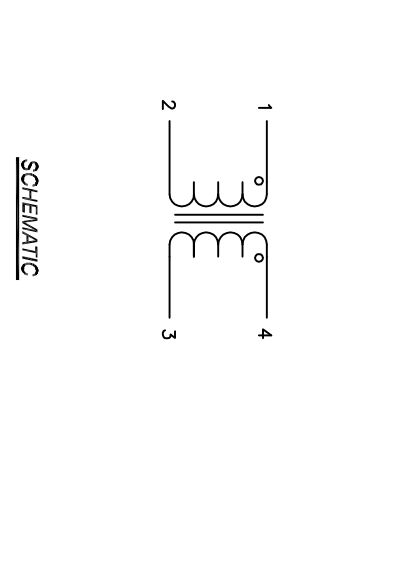
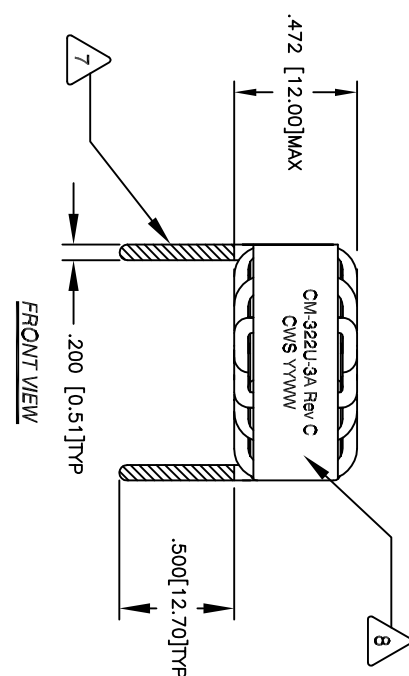


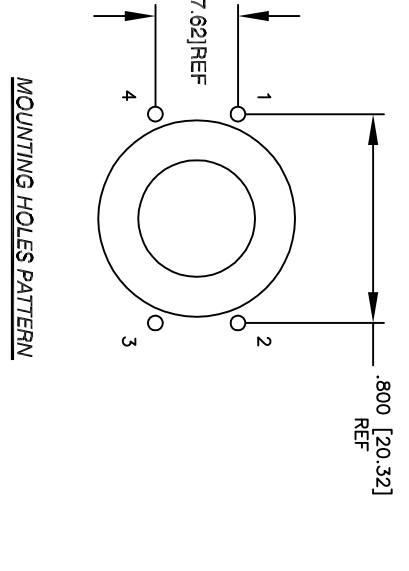
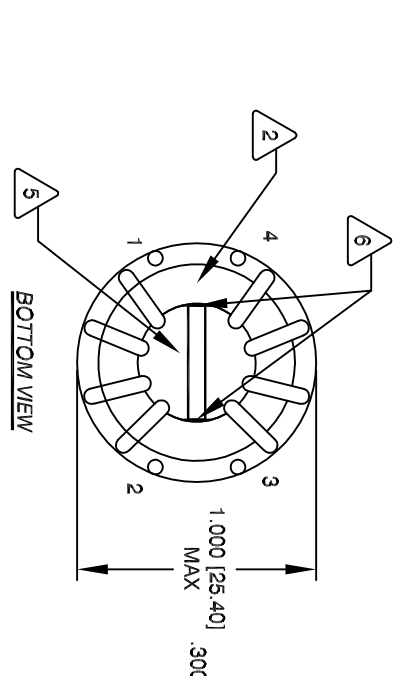
The information contained in this drawing is the sole property of CWS Coil Winding Specialist. Any reproduction in part or whole without written permission of CWS Coil Winding Specialist is prohibited.

| REVISION HISTORY | | SIGN & DATE | | | | |
|------------------|---------|--------------------------------------|-----|----------|------|----------|
| REV | ECN | DESCRIPTION | BY | DATE | CHK | DATE |
| A | | PRODUCTION RELEASE | RPR | 5/16/04 | JLJU | 5/16/04 |
| B | | CORRECT DIMENSIONAL ERROR | KJC | 9/7/10 | AK | 9/7/10 |
| C | 1010201 | CORRECT DIMENSIONAL ERROR ON PIN-OUT | KJC | 10/10/20 | AK | 10/10/20 |

- 9 BUILD TO ROHS COMPLIANCE
- WHERE SHOWN, USING A PERMANENT MARKING METHOD
- MARK PART NUMBER AND REVISION
- WRAP INDUCTOR WITH MRLAR TAPE (3M # 1360 OR EQUAL)



- 7 TO THE CORE MUST REST FLAT ON PCB, LEADS MUST BE TANGENT FLUSH WITH THE CORE EDGE, AS SHOWN (I.E. COIL REMOVE INSULATION AND TIN LEADS APPROX. 0.50 INCH)
- 6 APPLY EPOXY WHERE SHOWN
- 5 SPACER : TS3.00mm x 11.7 mm x 9.0 mm-FR-4 or EQUAL
- 4 WIND BOTH COILS EVENLY SPACED
- CONSTRUCTION:
- WEIGHT: 12.5 GRAM
- 1250 Vrms ISOLATION BETWEEN WINDING
- INTER-WINDING CAPACITANCE = 17 pF TYPICAL
- LEAKAGE INDUCTANCE = 30 uH MAX
- CURRENT RATING = 3 AMPS
- DCR ON EACH WINDING = 60 MILLI-OHMS MAX
- L = 2.3 mH MINIMUM, 10 KHz, 250 mV
- 3 SPECIFICATIONS:



- 2 CWS BYTEMARK OR OTHER APPROVED PART CORE: COATED FERRITE TOROID, HIGH PERM MNZN
- 1 UL CL155 OR HIGHER MAGNET WIRE RATING CLASS B (130 °C MIN.), REQUIRED MATERIAL: UL RECOGNIZED 94V-0 FOR FLAMMABILITY

NOTES: UNLESS OTHERWISE SPECIFIED, READ FROM BOTTOM UP

| CODE IDENT | MFG. P/N | DESCRIPTION | ITEM NO. |
|------------|----------|---------------------------|----------|
| PARTS LIST | | | |
| AUTOCAD | X | | |
| SOLIDWORKS | | | |
| SIGN | DATE | | |
| DRWN | RPR | 5/16/04 | |
| CHKD | JLJU | 5/16/04 | |
| ENGR | KSUM | 5/16/04 | |
| APPR | JLJU | 5/16/04 | |
| TITLE: | | Common Mode Line Filter | |
| SIZE: | | 3.3 mH, 3 Amp, Horizontal | |
| DWG. NO. | | CM-322U-3A | |
| SCALE | | 2=1 | |
| SHEET | | 1 OF 1 | |

UNLESS OTHERWISE SPECIFIED
 DIMENSIONING AND TOLERANCE PER ANSI Y14.5M AND (DIMETERS).
 TOLERANCE INCHES: $\pm .030'$
 TOLERANCE METERS: $\pm .030'$
 ANGLE PROJECTION: $\angle = 45^\circ$
 DO NOT SCALE DRAWING