

The information contained in this drawing is the sole property of CWS Coil Winding Specialist. Any reproduction in part or whole without written permission of CWS Coil Winding Specialist is prohibited.

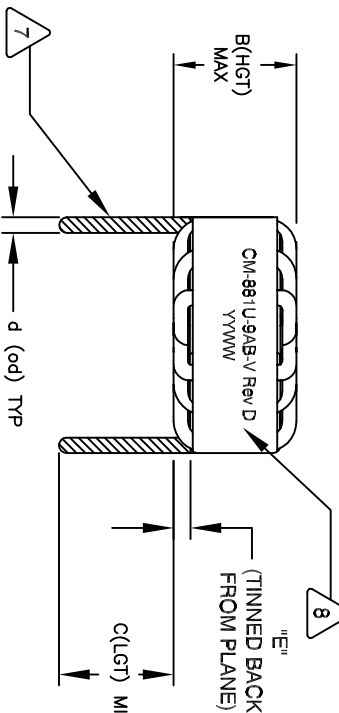
NON-ROHS

COMPLIANCE (FOR AEROSPACE APPLICATION)

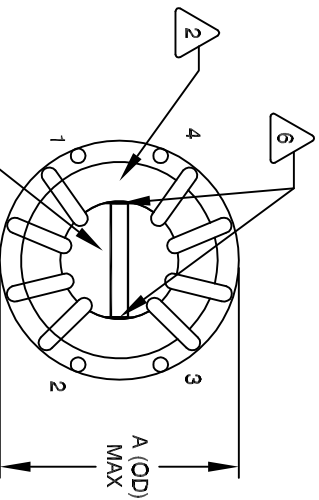
- 9 NON-ROHS COMPLIANCE, LEADED AND VANISHED
- 8 USING A PERMANENT MARKING METHOD
MARK PART NUMBER AND REVISION WHERE SHOWN,
WRAP INDUCTOR WITH GLASS TAPE (3M #69 OR EQUAL)
- 7 TO THE CORE. VANISH WITH AC-43 OR HIGHER
MUST REST FLAT ON PCB; LEADS MUST BE TANGENT
FLUSH WITH THE CORE EDGE, AS SHOWN (I.E. COIL
REMOVE INSULATION AND TIN LEADS APPROX. 0.50 INCH
- 6 APPLY EPOXY WHERE SHOWN
- 5 SPACER : TTS3.00X11.70X9.00-FR-4 OR EQUAL
- 4 WIND BOTH COILS EVENLY SPACED
CONSTRUCTION:

- 3 WEIGHT: ~ 16 GRAM
1250 Vrms ISOLATION BETWEEN WINDING
INTER-WINDING CAPACITANCE = 12.8 pF TYPICAL
LEAKAGE INDUCTANCE = 5.5 uH TYPICAL
CURRENT RATING = 9 AMPS
DCR ON EACH WINDING = 6.5 MILLI-OHMS MAX
L = 840 mH ±30%, 10 KHZ, 250 mV
SPECIFICATIONS:
- 2 CWS BYTEMARK OR OTHER APPROVED PART
CORE: COATED FERRITE TOROID, HIGH PERM MNZN
- 1 RATING CLASS B (130 °C MIN.) REQUIRED
MATERIAL: UL RECOGNIZED 94V-0 FOR FLAMMABILITY

NOTES: UNLESS OTHERWISE SPECIFIED, READ FROM BOTTOM UP



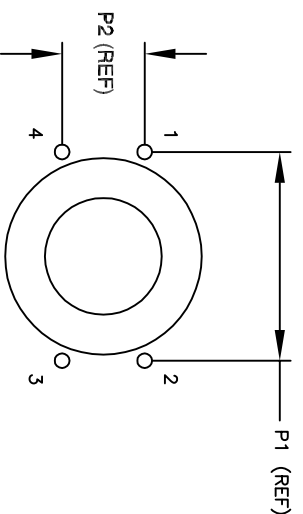
FRONT VIEW



BOTTOM VIEW

DIMENSIONAL TOLERANCE	
A (OD) MAX	1.04(±.04)
B (HGT) MAX	.50(±.27)
C (LGT) MIN	0.500(±.270)
E	.020-.040
d (OD) TYP	.045(±.14)
P1 (TYP)	.800(±0.30)
P2 (TYP)	.300(±.02)

SCHEMATIC



MOUNTING HOLES PATTERN

REVISION HISTORY		SIGN & DATE				
REV	ECN	DESCRIPTION	BY	DATE	CHK	DATE
B		PRODUCTION RELEASE	RFR	4/13/07	JLJU	4/13/07
C		PRODUCTION RELEASE - Leaded Non-RoHS Compliance Supersede P/N: CM-881U-9A-V & CM-881U-9B-VA	AM	4/2/09	KJC	4/2/09
D		INDUCTANCE TOLERANCE ADJUSTED TO CORRECT TO CORE TOLERANCE	KJC	3/2/10	AK	3/2/10

CODE	IDENT	MFG. P/N	DESCRIPTION	ITEM NO.
AUTOCAD		X		
SOLIDWORKS				
PARTS LIST				
DRWN	RFR	4/13/07	TITLE: COILS.COM, INC CWS Coil Winding Specialist. 353 W Grove Ave Orange, CA 92865	
CHKD	JLJU	4/13/07	Common Mode Line Filter 880 uH, 9 Amp, Horizontal	
ENGR	KSUM	4/13/07	SIZE: DWG. NO.	REV
APPR.	JLJU	4/13/07	CM-881U-9AB-V	D
UNLESS OTHERWISE SPECIFIED			SCALE	SHEET 1 OF 1
DIMENSIONING AND TOLERANCE PER ANSI Y14.5M AND [MILLIMETERS]			2=1	
TOLERANCE INCHES: $\pm .005$ $\pm .010$ $\pm .030$				
TOLERANCE METRICS: $\pm .127$ $\pm .254$ $\pm .762$				
ANGLE PROJECTION ϕ				
DO NOT SCALE DRAWING				