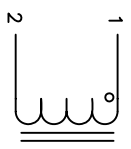


The information contained in this drawing is the sole property of CMS Coil Winding Specialist. Any reproduction in part or whole without written permission of CMS Coil Winding Specialist is prohibited.

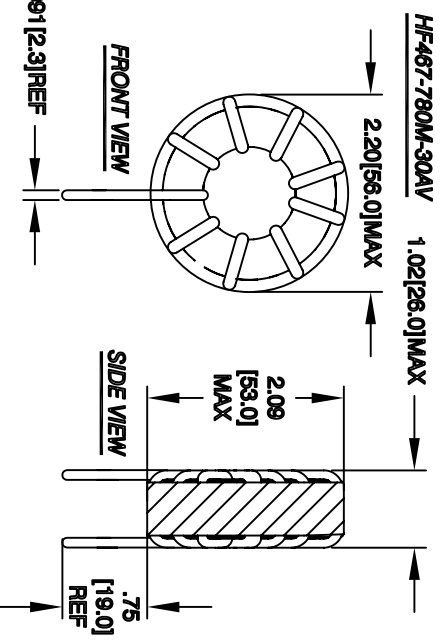
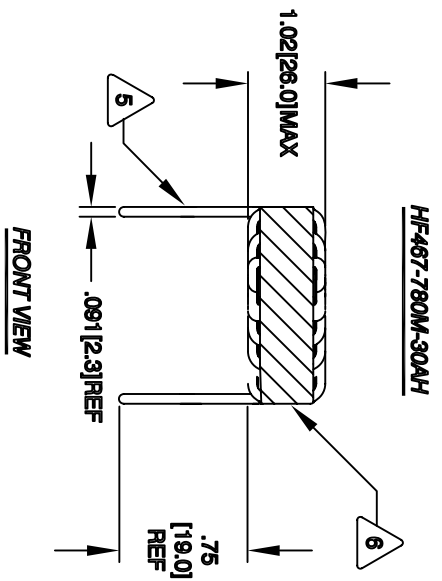
REVISION HISTORY

REV	ECN	DESCRIPTION	BY	DATE	CHK	DATE
A		PRODUCTION RELEASE	GN	07/23/09	AM	07/23/09



SCHEMATIC

- 7 BUILD TO ROHS COMPLIANCE
- 6 USING A PERMANENT MARKING METHOD MARK PART NUMBER AND REVISION, IF APPLICABLE WRAP INDUCTOR WITH 3M TAPE



- 5 TO THE CORE MUST REST FLAT ON PCB. LEADS MUST BE TANGENT FLUSH WITH THE COIL EDGE, AS SHOWN (I.E. COIL REMOVE INSULATION AND TIN LEADS 0.75 INCH

- 4 WIND COILS EVENLY SPACED AROUND THE CORE CONSTRUCTION:

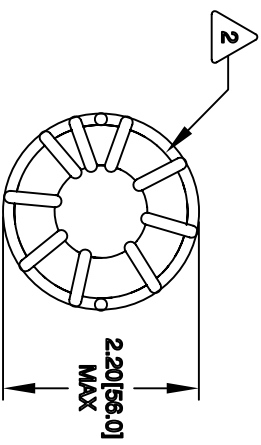
HI-POT TEST FOR WINDING TO CORE ISOLATION = 500VDC MIN
 CURRENT RATING : 30 AMPS, 42 °C TEMP. RISE, NO AIR FLOW
 DCR = 10.0 MILLI-OHMS MAX.
 DC BIASED = 25 AMPS, INDUCTANCE = 58 UH
 DC BIASED= 20 AMPS, INDUCTANCE = 62 UH
 INDUCTANCE = 78 UH ±15% @ LOW DC BIAS, 1 KHZ, 250mV SPECIFICATIONS:

- 3 WIRE: UL RECOGNIZED 200°C RATED MAGNET WIRE
 CWS BYTEMARK OR OTHER APPROVED PART
 CORE: COATED HIGH FLUX TOROIDAL CORE

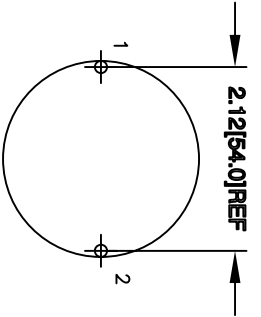
- 2 RATING CLASS B (130°C MIN.) REQUIRED
- 1 MATERIAL: UL RECOGNIZED 94V-0 FOR FLAMMABILITY

NOTES: TOROIDAL POWER INDUCTOR. ALL DIMENSIONS IN INCHES[MM]

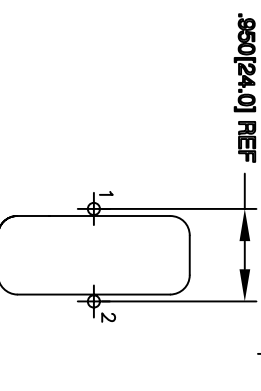
BOTTOM VIEW



MOUNTING HOLES PATTERN



MOUNTING HOLES PATTERN



CODE IDENT	MFG. P/N	DESCRIPTION	ITEM NO.
PARTS LIST			
AUTOCAD	X	CMS Coil Winding Specialist	
SOLIDWORKS		353 W Grove Ave	
SIGN	DATE	Orange, CA 92865	
DRWNN	07/23/09	TITLE: Toroidal Power Inductor 78 UH, 30 Amp	
CHKD	07/23/09		
ENGR	07/23/09		
APPR	7/23/09		
SIZE	DWG. NO.	HF467-780M-30A	REV A
SCALE	NOT TO SCALE		

UNLESS OTHERWISE SPECIFIED

DO NOT SCALE DRAWING

ANGLE PROJECTION

SCALE

NOT TO SCALE

SHEET 1 OF 1