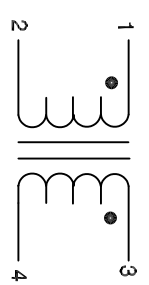
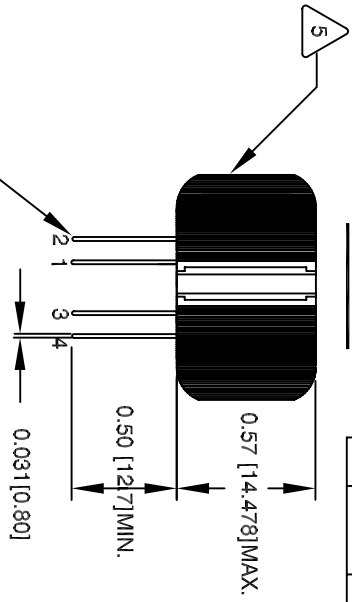


The information contained in this drawing is the sole property of CWS Coil Winding Specialist. Any reproduction in part or whole without written permission of CWS Coil Winding Specialist is prohibited.

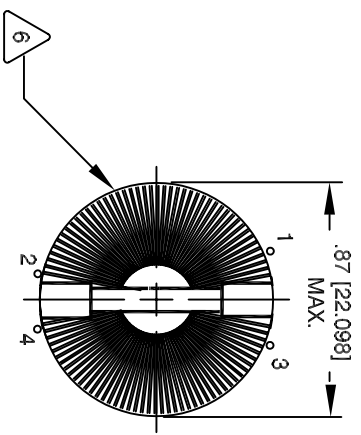
REVISION HISTORY

REV	ECN	DESCRIPTION	BY	DATE	CHK	DATE
C		PRODUCTION RELEASE	RRR	9/09/04	JLJU	9/09/04

FRONT VIEW

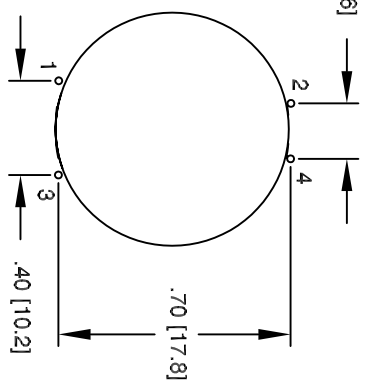


SCHEMATIC



BOTTOM VIEW

MOUNTING HOLES PATTERN



- 6 IF APPLICABLE, MARK PART NUMBER AND REVISION
- FLUSH WITH THE COIL EDGE, AS SHOWN
- 5 REMOVE INSULATION AND TIN LEADS
- WIND ON EACH SIDE OF CORE AND EVENLY SPACED
- CONSTRUCTION:
 - TEST FREQUENCY = 10 KHZ
 - TEMP RANGE = -25 °C TO 120 °C
 - MAX TEMP RISE = 35.5 °C
 - TEST VOLTAGE = 2000 VAC, 1 MIN
 - RATED VOLTAGE = 250 VAC OR VDC
 - RATED CURRENT = 2.5 AMPS
 - TOTAL DCR OF BOTH WINDINGS = 0.1115 OHMS MAX COMBINED
 - L = 2.0 mH NOMINAL., 50 Hz - 400 KHZ, 0.250 Vrms, 0 ADC
 - INSULATION RESISTANCE = 100 MEGA-OHMS MIN. @ 500 VDC
 - SPECIFICATIONS AT 25 °C
- 3 WIRE: UL RECOGNIZED 130°C RATED MAGNET WIRE
- CWS BYTEMARK OR OTHER APPROVED PART
- 2 CORE: FERRITE TOROID.
- BOBBIN RATING CLASS B (130°C) REQUIRED
- 1 MATERIAL: UL RECOGNIZED 94V-0 FOR FLAMMABILITY

NOTES: UNLESS OTHERWISE SPECIFIED, COMMON MODE CHOKE

PARTS LIST

QTY	CODE	DESCRIPTION	ITEM NO.
	AUTOCAD		
	SOLIDWORKS		
	SIGN		
	DATE		
	DRWN		
	PPR		
	CHKD		
	JLJU		
	ENGR		
	KSUM		
	APPR		
	JLJU		
	DATE		
	9/09/04		
	9/09/04		
	9/09/04		
	UNLESS OTHERWISE SPECIFIED		
	DIMENSIONING AND TOLERANCE PER ANSI Y14.5M		
	ALL DIMENSIONS ARE IN INCHES AND [MILLIMETERS]		
	TOLERANCE INCHES: .XXX=±.010 .XX=±.015 .X=±.030		
	TOLERANCE METRICS: .XXX=±.254 .XX=±.38		
	ANGLE PROJECTION		
	DO NOT SCALE DRAWING		
	MFG. P/N		
	CWS Coil Winding Specialist		
	1510 E. Edinger Ave.		
	Unit B, Santa Ana, CA, 92705		
	TITLE:		
	Common Mode Chokes		
	SIZE		
	DWG. NO.		
	LFH-202U-2.5A		
	SCALE		
	2=1		
	SHEET		
	1 OF 1		