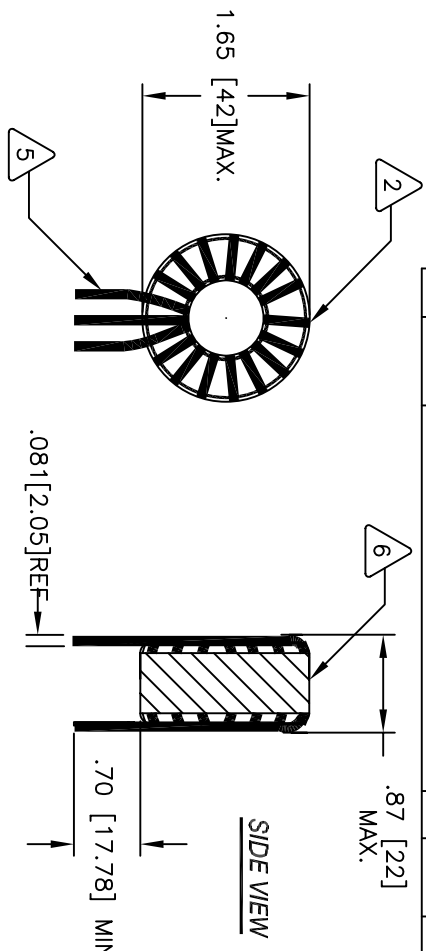


The information contained in this drawing is the sole property of CWS Coil Winding Specialist. Any reproduction in part or whole without written permission of CWS Coil Winding Specialist is prohibited.

| REVISION HISTORY |      |   |        |
|------------------|------|---|--------|
| REV              | ECON | DESCRIPTION                                   | DATE   |
| A                |      | PRODUCTION RELEASE - REPLACE CWS-10445-5U-60A | 4/6/09 |



- 8 REPLACES PN: CWS-10445-5U-60A
- 7 BUILD TO ROHS COMPLIANCE AND LEAD FREE
- 6 SHOWN, USING A PERMANENT MARKING METHOD MARK PART NUMBER AND REVISION IN APPROX WHERE WRAP INDUCTOR WITH GLASS TAPE, (PER NOTE 2 )
- 5 MUST REST FLAT ON PCB). LEADS MUST BE TANGENT TO THE CORE FLUSH WITH THE COIL EDGE, AS SHOWN (I.E. COIL REMOVE INSULATION AND TIN LEADS APPROX. 0.7 INCH
- 4 3RD WIRE AROUND BIFILAR WINDING TIGHTLY WIND BIFILAR LAYER FIRST, THEN OVERLAP WIND COILS EVENLY SPACED AROUND CORE CONSTRUCTION:
- 3 INSULATION COVERING HAS NOT BEEN BREACHED HI-POT TEST COIL TO COIL, 250VDC TO INSURE INTEGRITY OF WINDING POWER LOSS 3.87W MAX @ 60A DCR= 1mOHMS MAX ( ALL 3 STRANDS IN PARALLEL) L= 4.7 uH  $\pm$  15% (10 KHZ), <1Vrms); ~ 3.8uH @ 60A DC BIAS SPECIFICATIONS:

- 2 OUTER WRAP: UL RATED SCOTCH 3M GLASS CLOTH TAPE OR EQUAL WIRE: UL RECOGNIZED 200° C RATING MAGNET WIRE SUPPLIER: CWS BYTEMARK (www.cwsbytemark.com) CORE: MPP TOROID CM330026
  - 1 RATING CLASS B (130°) REQUIRED MATERIAL: UL RECOGNIZED 94V-2 FLAMMABILITY
- NOTES: READ FROM BOTTOM UP.

| CODE IDENT         | MFG. P/N        | DESCRIPTION   | ITEM NO. |
|--------------------|-----------------|---|----------|
| <b>PARTS LIST</b>  |                 |   |          |
| AUTOCAD SOLIDWORKS | X               | <b>COLWS COM, INC</b><br>CWS Coil Winding Specialist<br>353 W Grove Ave<br>Orange, CA 92865 |          |
| DRWN               | DATE            | TITLE:  |          |
| KLC                | 4/6/09          | Differential Mode Inductor  |          |
| CHKD               | DATE            | 4.7 uH, 60 Amp, Tri-filar, Vertical   |          |
| AM                 | 4/6/09          |   |          |
| ENGR               | DATE            |   |          |
| KLC                | 4/6/09          |   |          |
| APPR               | DATE            |   |          |
| KLC                | 4/6/09          |   |          |
| SIZE               | DWG. NO.        |   | REV      |
| B                  | MP330-4R7M-60AV |   | A        |
| SCALE              |                 |   |          |
| 1 = 1              |                 |   |          |