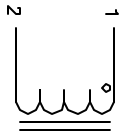


The information contained in this drawing is the sole property of CWS Coil Winding Specialist. Any reproduction in part or whole without written permission of CWS shall constitute a violation of the law.

REVISION HISTORY

REV	ECN	DESCRIPTION	BY	DATE	CHK	DATE
A		PRODUCTION RELEASE	TKK	2/28/05	JLU	2/29/05



SCHMATIC

6 WHERE SHOWN, USING A PERMANENT MARKING METHOD
MARK PART NUMBER AND REVISION IN APPROX

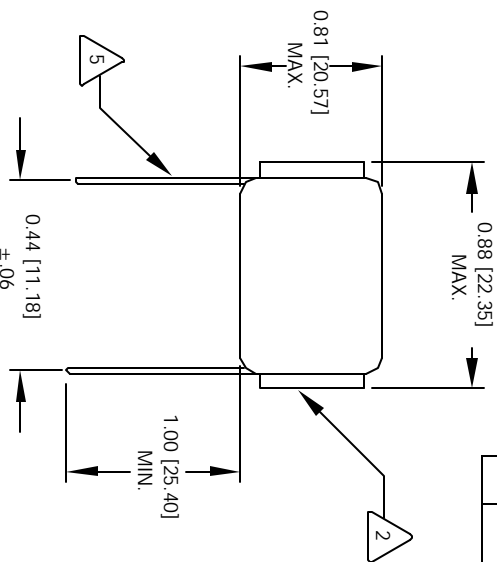
5 REMOVE INSULATION AND TIN LEADS

4 CONSTRUCTION:
HI-POT CORE TO WIRE = 750 VDC
MAX TEMP RISE AT RATED CURRENT = 35 °C
DCR = 30.0 MILLI-OHMS MAX
MAX L DROP AT RATED CURRENT = 5%
RATED CURRENT (DC) = 7 AMPS.
L = 27.0 uH ± 10% @ 1KHZ, 0.25 mV, 0 ADC

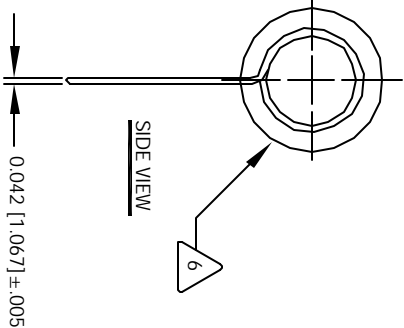
3 SPECIFICATIONS @ 25°C
WIRE: UL RECOGNIZED 130°C RATED MAGNET WIRE
CWS BYTE-MARK OR OTHER APPROVED PART
CORE: FERRITE ROD

2 CORE: FERRITE ROD

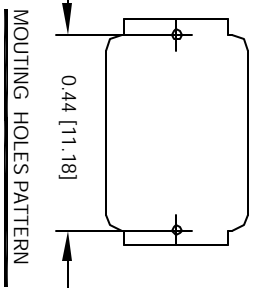
1 MATERIAL: UL RECOGNIZED 94V-0 FOR FLAMMABILITY
NOTES: UNLESS OTHERWISE SPECIFIED, READ FROM BOTTOM UP.



FRONT VIEW



SIDE VIEW



MOUTHING HOLES PATTERN

CODE IDENT	MFG. P/N	DESCRIPTION	ITEM NO.
AUTOCAD SIGN	X	COILS COM, INC WWW.COILS.COM	
UNLESS OTHERWISE SPECIFIED		CWS Coil Winding Specialist 1510 E. Edinger Ave Unit B, Santa Ana, CA, 92705	
PAUSE AND TOLERANCE PER ANSI Y14.4M			
ALL DIMENSIONS ARE IN INCHES AND (MILLIMETERS)			
TOLERANCE INCHES XXXX = .005 XXX = .015 XX = .030 X = .075			
TOLERANCE METRIC XXXX = .127 XXX = .254 XX = .508 X = 1.27			
ANGLE PROJECTION			
DO NOT SCALE DRAWING			
DATE	DATE	DATE	DATE
2/28/05	2/28/05	2/28/05	2/29/05
TKK	JLU	JLU	JLU
APPR. JLU	2/28/05	2/28/05	2/29/05
SIZE	TITLE	SCALE	REV
B	High Current RF Chokes	2=1	A
J-5503			
SHEET 1	OF 1		