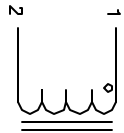


The information contained in this drawing is the sole property of CWS Coil Winding Specialist. Any reproduction in part or whole without written permission of CWS shall constitute a violation of the law.

REVISION HISTORY

REV	ECN	DESCRIPTION	BY	DATE	CHK	DATE
A		PRODUCTION RELEASE	TKK	2/28/05	JLAV	2/29/05



SCHEMATIC

6 WHERE SHOWN, USING A PERMANENT MARKING METHOD
 MARK PART NUMBER AND REVISION IN APPROX

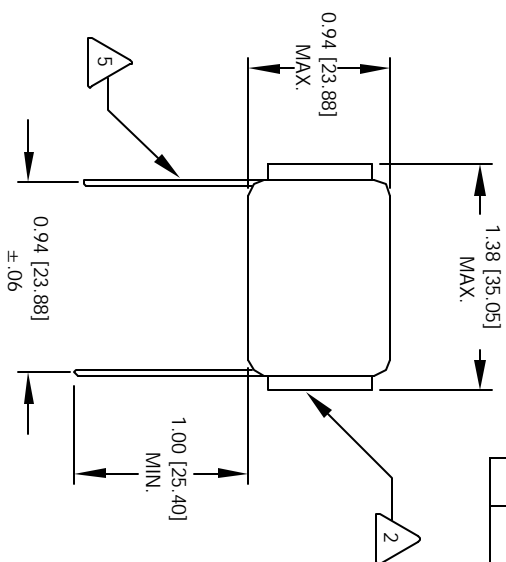
5 REMOVE INSULATION AND TIN LEADS

4 CONSTRUCTION:
 HI-POT CORE TO WIRE = 750 VDC
 MAX TEMP RISE AT RATED CURRENT = 35 °C
 DCR = 20.0 MILLI-OHMS MAX
 MAX L DROP AT RATED CURRENT = 5%
 RATED CURRENT (DC) = 10.5 AMPS
 L = 50.0 uH ± 10% @ 1KHZ, 0.25 mV, 0.4 ADC
 SPECIFICATIONS @ 25°C

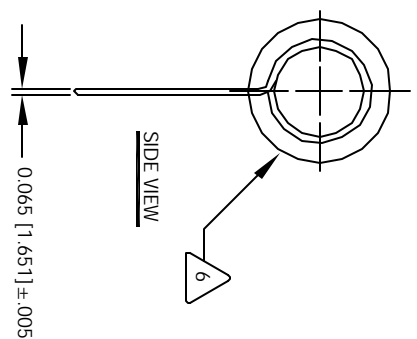
3 WIRE: UL RECOGNIZED 130°C RATED MAGNET WIRE
 CWS BYTE-MARK OR OTHER APPROVED PART
 CORE: FERRITE ROD

1 MATERIAL: UL RECOGNIZED 94V-0 FOR FLAMMABILITY

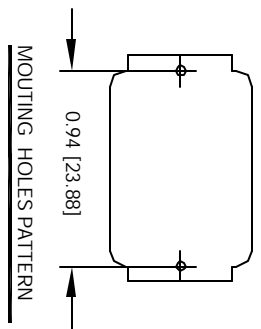
NOTES: UNLESS OTHERWISE SPECIFIED, READ FROM BOTTOM UP.



FRONT VIEW



SIDE VIEW



MOUTHING HOLES PATTERN

CODE IDENT	MFG. P/N	DESCRIPTION	ITEM NO.
		PARTS LIST	
AUTOCAD SIGN	X		
UNLESS OTHERWISE SPECIFIED			
TOLERANCING AND TOLERANCE PER ANSI Y14.4M			
ALL DIMENSIONS ARE IN INCHES AND (MILLIMETERS)			
DRAWN	TKK	DATE	2/28/05
CHKD	JLAV	DATE	2/28/05
ENGR	KSUM	DATE	2/28/05
APPR	JLAV	DATE	2/28/05
TITLE:		High Current RF Chokes	
SIZE		B	
SCALE		2=1	
REV		A	