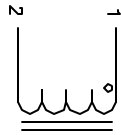


The information contained in this drawing is the sole property of CWS Coil Winding Specialist. Any reproduction in part or whole without written permission of CWS Coil Winding Specialist is prohibited.

REVISION HISTORY

REV	ECN	DESCRIPTION	BY	DATE	CHK	DATE
A		PRODUCTION RELEASE	TKK	2/28/05	JLAV	2/29/05



SCHEMATIC

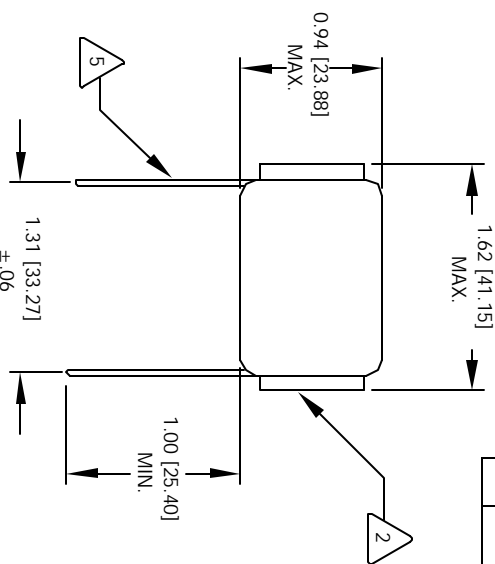
6 WHERE SHOWN, USING A PERMANENT MARKING METHOD  
 MARK PART NUMBER AND REVISION IN APPROX

5 REMOVE INSULATION AND TIN LEADS

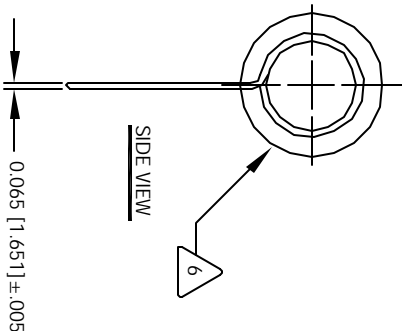
4 CONSTRUCTION:  
 HI-POT CORE TO WIRE = 750 VDC  
 MAX TEMP RISE AT RATED CURRENT = 35 °C  
 DCR = 27.0 MILLI-OHMS MAX  
 MAX L DROP AT RATED CURRENT = 5%  
 RATED CURRENT (DC) = 10 AMPS.  
 L = 100.0 uH ± 10% @ 1KHz, 0.25 mV, 0 ADC  
 SPECIFICATIONS @ 25°C

2 CORE: FERRITE ROD

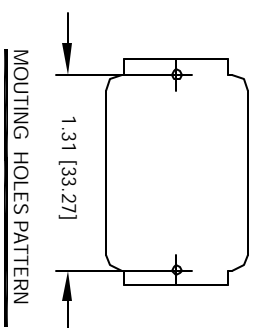
1 MATERIAL: UL RECOGNIZED 94V-0 FOR FLAMMABILITY  
 WIRE: UL RECOGNIZED 130°C RATED MAGNET WIRE  
 CWS BYTE-MARK OR OTHER APPROVED PART



FRONT VIEW



SIDE VIEW



MOUTHING HOLES PATTERN

CODE IDENT	MFG. P/N	DESCRIPTION	ITEM NO.
AUTOCAD SIGN	X	PARTS LIST	
SOLIDWORKS SIGN			
DATE	DATE		
2/28/05	2/28/05		
TKK	JLAV		
2/28/05	2/28/05		
JLAV	2/28/05		
2/28/05	2/28/05		
JLAV	2/28/05		

SIZE	INCH. NO.	SCALE	SHEET	OF	REV
B	J-5520	2=1	1	1	A

High Current RF Chokes

UNLESS OTHERWISE SPECIFIED	UNLESS OTHERWISE SPECIFIED
TOLERANCE PER ANSI Y14.4M	TOLERANCE PER ANSI Y14.4M
ALL DIMENSIONS ARE IN INCHES	ALL DIMENSIONS ARE IN INCHES
AND (DIMENSIONS)	AND (DIMENSIONS)
TOLERANCE INCHES	TOLERANCE METERS
XXXX±.005 .XX±.015	XXXX±.127 .XX±.005
XXXX±.127 .XX±.005	XXXX±.127 .XX±.005
ANGLE PROJECTION	ANGLE PROJECTION
DO NOT SCALE DRAWING	DO NOT SCALE DRAWING